

PREMIUM 1-BOWL 2-DRAINBOARD SINK

SINKS - 1 BOWL

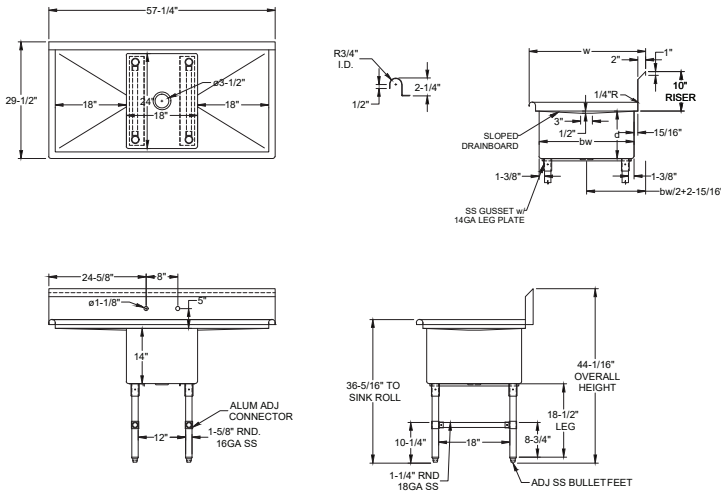


MATERIALS

- 16 Gauge 300 Series Stainless Steel; Fabricated
- Stainless Steel Legs, Gussets, Cross-Bracing, and Bullet Feet



**COMPATIBLE WITH
NEW NBR FAUCETS!
SEE PAGE 75**



FEATURES

- 10"H Backsplash with 2" Return to Wall
- 8" On-Center Wall-Mounted Faucet Holes
- 3-1/2" Die-Stamped Drain Opening With Drain Basket Included
- Two Drainboards (1 on Each Side)
- Cross-Bracing for Reinforced Support
- Adjustable Bullet Feet

| MODEL NUMBER | BOWL SIZE L X W X H | LENGTH | WIDTH | DRAINBOARD SIZE |
|----------------|---------------------|---------|---------|-----------------|
| 1SS-162014LR18 | 16" x 20" x 14" | 55-1/4" | 25-1/2" | 18" |
| 1SS-181814LR18 | 18" x 18" x 14" | 57-1/4" | 23-1/2" | 18" |
| 1SS-182414LR18 | 18" x 24" x 14" | 57-1/4" | 29-1/2" | 18" |
| 1SS-182414LR24 | 18" x 24" x 14" | 69-1/4" | 29-1/2" | 24" |
| 1SS-242414LR24 | 24" x 24" x 14" | 75-1/4" | 29-1/2" | 24" |