



Profit from the Eagle Advantage®

Specification Sheet

Short Form Specifications

Eagle Stationary Wire Wall Mount, model _____.
Designed for fixed application. Chrome, Valu-Gard®, and stainless steel finish available. End unit to consist of one single shelf support and wall mounting plate. Mid Unit to consist of one double shelf support and wall mounting plate.

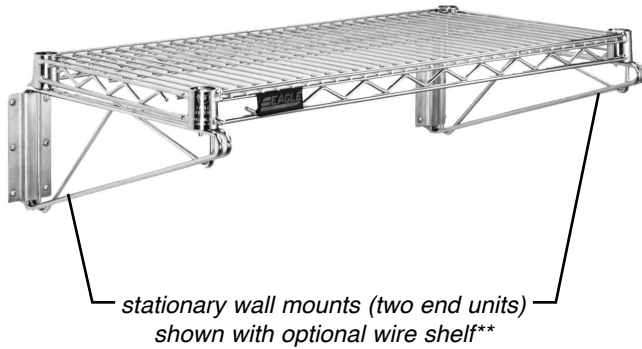
Item No.:	_____
Project No.:	_____
S.I.S. No.:	_____

Stationary Wire Wall Mounts

MODELS:

- | | |
|---------------------------------------|--|
| <input type="checkbox"/> WB14* | <input type="checkbox"/> DWB14* |
| <input type="checkbox"/> WB18* | <input type="checkbox"/> DWB18* |
| <input type="checkbox"/> WB21* | <input type="checkbox"/> DWB21* |
| <input type="checkbox"/> WB24* | <input type="checkbox"/> DWB24* |

* See charts on back page for complete model numbers.



**See catalog sheet #EG01.00 for Eagle wire shelves available.

Design and Construction Features

- Designed for fixed applications where vertical adjustment is not required.
- End unit*** consists of one single shelf support and 14 gauge stainless steel mounting plate.
- Mid unit*** consists of one double support and 14 gauge stainless steel mounting plate.
- Units available in chrome, Valu-Gard® green epoxy, or stainless steel finish.
- Optional Eagle wire shelves** (sold separately) feature patented QuadTruss® design (patent #5,390,803), making shelves up to 25% stronger and provides a retaining ledge for increased stability and product retention.

*** Units do not include shelves and wall bolts. Wall bolts must be selected according to wall type.

EAGLE GROUP

100 Industrial Boulevard, Clayton, DE 19938-8903 USA
 Phone: 302-653-3000 • 800-441-8440 • Fax: 302-653-2065
www.eaglegrp.com
www.eaglegrpnews.com
www.eaglemhc.com

For custom configuration or fabrication needs, contact our **SpecFAB® Division**.
 Phone: 302-653-3000 • Fax: 302-653-2065 • e-mail: quotes@eaglegrp.com



EG02.12 Rev. 06/23

Spec sheets available for viewing, printing or downloading from our online literature library at our websites

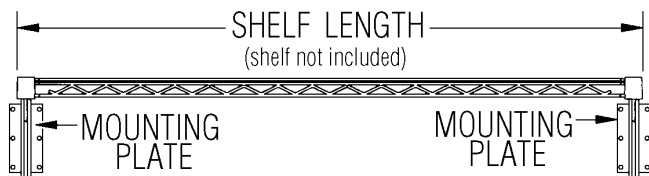
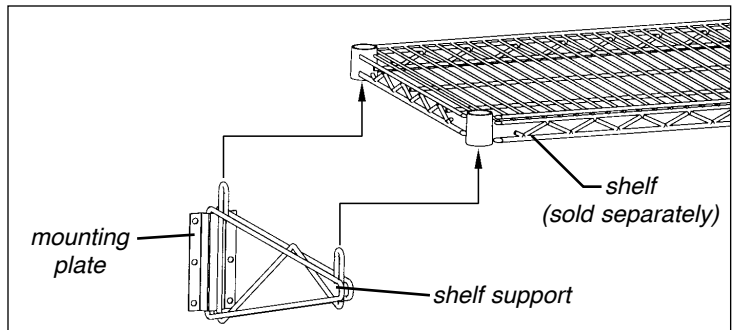
Eagle Foodservice Equipment, Eagle MHC, and SpecFAB® are divisions of Eagle Group. ©2023 by the Eagle Group



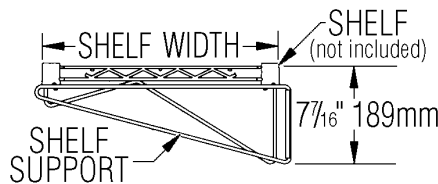
Profit from the Eagle Advantage®

Item No.: _____
 Project No.: _____
 S.I.S. No.: _____

Stationary Wire Wall Mounts



FRONT VIEW



SIDE VIEW



End Units

Shelves sold separately.

chrome model #	Valu-Gard® model #	stainless steel* model #	weight*	
			lbs.	kg
WB14-C	WB14-VG	WB14-S	6	2.7
WB18-C	WB18-VG	WB18-S	8	3.6
WB21-C	WB21-VG	WB21-S	10	4.5
WB24-C	WB24-VG	WB24-S	12	5.5



Mid Units

Shelves sold separately.

chrome model #	Valu-Gard® model #	stainless steel* model #	weight*		for shelf width	
			lbs.	kg	in.	mm
DWB14-C	DWB14-VG	DWB14-S	8	3.6	14"	356
DWB18-C	DWB18-VG	DWB18-S	10	4.5	18"	457
DWB21-C	DWB21-VG	DWB21-S	12	5.5	21"	533
DWB24-C	DWB24-VG	DWB24-S	14	6.4	24"	610

* For stainless steel units, add 1 lb. (0.5 kg) weight.

EAGLE GROUP

100 Industrial Boulevard, Clayton, DE 19938-8903 USA

Phone: 302-653-3000 or 800-441-8440 • Fax: 302-653-2065

www.eaglegrp.com • www.eaglegrpnews.com • www.eaglehmc.com

Printed in U.S.A.
 ©2023 by Eagle Group

Rev. 06/23

Spec sheets available for viewing, printing or downloading from our online literature library at our websites

Although every attempt has been made to ensure the accuracy of the information provided, we cannot be held responsible for typographical or printing errors. Information and specifications are subject to change without notice. Please confirm at time of order.