

Blend

Non-Refrigerated Self-Service End Cap

Structural Concepts®

DELIVERING FRESH. ALWAYS.™

• **NM7255DSSV**

72"L x 35-3/8"D x 54-5/8"H

Included

- Adjustable, locking casters
- LED top & shelf lights
- One year parts & labor warranty
- Straight base w/ box storage, tissue holder, & waste bin
- Vertical front glass



NM7255DSSV

Specify	Standard Features	Additional Options
INTERIOR COLOR	• Powder coated Silversan Black	• Stainless steel
LOWER CLADDING COLOR	• Powder coated Silversan Black	• Laminate (non-stock colors) • Laminate (stock colors) • Powder coated (stock/non-stock colors) • Stainless steel
LOWER FRONT PANEL COLOR	• Powder coated Silversan Black	• Stainless steel
UPPER EXTERIOR COLOR	• Powder coated Silversan Black	• Powder coated (stock/non-stock colors) • Stainless steel
BUMPER	• 1" Boston bumper (specify color)	• 1" Stainless steel plate rail bumper • None
FRONT DOORS	• Clear glass swinging doors w/o lock	
PRICE TAG MOLDING	• None	• 1" Price tag molding (black or silver)
SHELVING	• (4) Levels solid, adjustable shelving	
LIGHTS	• LED 3500K w/ frosted lens	• LED 4000K w/ frosted lens
ELECTRICAL CONNECTION	• 6' Straight blade power cord	• Electrical leads
ACCESSORIES		• 9" x 18" Trays

Blend

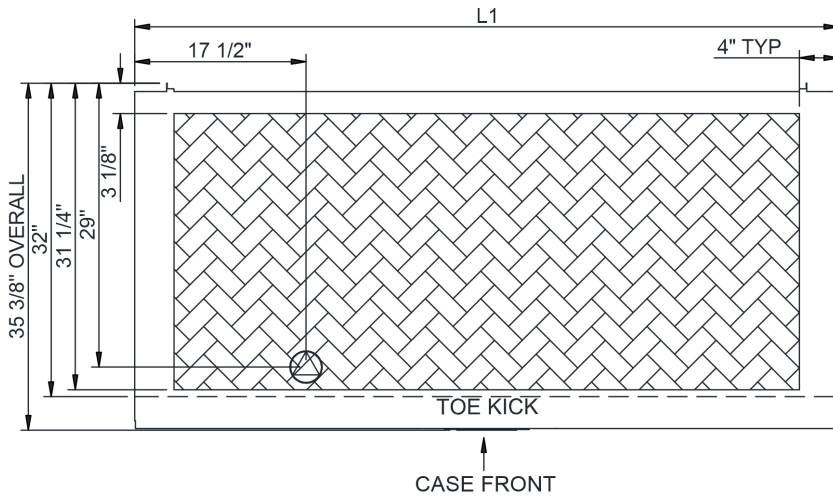
Non-Refrigerated Self-Service End Cap

Structural Concepts®

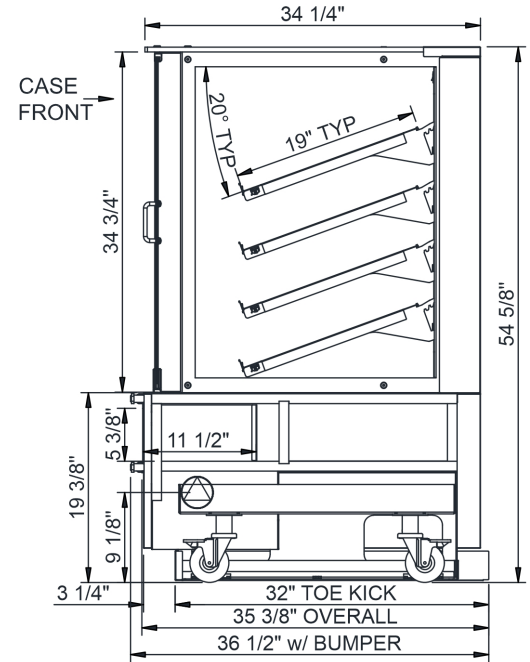
DELIVERING FRESH. ALWAYS.™

Intended Environment: Type II - Designed to operate in ambient conditions of 80°F and 55% relative humidity unless noted otherwise in system information below.		
Zone	Intended Product To Be Displayed	Warmest Avg Prod Temp ° F
1	Packaged non-refrigerated products	Ambient

PLAN VIEW



SIDE VIEW



NOTE: ALL DIMENSIONS APPROXIMATE

- ELECTRICAL JUNCTION BOX**
(SUPPLIED WITH 6" LEADS OR POWER CORD).
- LOCATION OF DRAIN TUBE FOR REMOTE REF.**
ONLY (SUPPLIED WITH 3/4" OR 1 1/2" PVC TUBE).

- REFRIGERATION LINE CONNECTION.**
- REMOTE FLOOR SINK & UTILITIES**
ACCESS AREA.

- SELF-CONTAINED CASE SERVICE ACCESS AREA.**
- DRY CASE SERVICE ACCESS AREA.**

Model Technical Specifications																		
Model	L"	L1"	L2"	System Circuit Volts			Phs	Freq	Amps ***	Watts	Wires	NEMA Plug	SST	Conv. Rack BTUH	Para. Rack BTUH	Est Wt		
NM7255DSSV	N/A	72.00	.00	Ambient/Lights (N/A)			Circuit #1	110-120	1	60	0.70	35	2+G	5-15P or L5-15P	N/A	N/A	N/A	1,100

*** Does not include electric defrost on freezer models.

Regulatory Approvals:

All Models	ETL Listed to UL 65 ETL Sanitation to NSF/ANSI 2
------------	---



Important Notes:

- 1) ELECTRICAL NOTE: If GFCI is required, a GFCI breaker MUST be used in lieu of a GFCI receptacle.
- 2) Remove tool free front panel to fit through 36" door.
- 3) Glass warranty only applicable to first point of delivery.

⚠ WARNING: This product can expose you to chemicals, including Urethane (Ethyl Carbamate), which are known to the State of California to cause cancer and birth defects or other reproductive harm. For more information go to www.P65Warnings.ca.gov.