



Profit from the Eagle Advantage®

Phone: (800) 441-8440 • (302) 653-3000

FAX: (302) 653-2065

Product Announcement

Short Form Specifications

Eagle Group Wall Mounted Bottle Filler Station, model #_____. Fully enclosed apron constructed of 300 series stainless steel. Tamper-resistant hardware on access panel. Hands-free electronic-eye faucet with battery back-up. Single- or double-faucet units feature a replaceable 15,000 gallon water filtration kit with NSF 42 and 53 listing. Single-filler faucet units measure 12" x 12" x 24" overall (12" x 28" x 24" double). 4-1/2" x 8" drain trough per fill faucet, with anti-splash cover; wire and custom versions available...consult factory.

Item #:	_____
Model #:	_____
Project #:	_____
SIS #:	_____

EG8213 Rev. 03/22

New Wall Mounted Bottle Filler Stations

Design & Construction Features:

- Compact, space saving design.
- Fully enclosed skirt with access panel.
- All 300 series stainless steel construction.
- T & S electric-eye faucets with battery backup for hand-free operation.
- Water filtration system available for filtering up to 15,000 gallons.
- Anti-splash trough grate standard.
 - Wire grate optional.
 - Custom designs available (consult factory).
- Requires 120-volt electrical outlet.



#BF-1-12 single unit

Eagle's NEW Bottle Filling Stations deliver a quick water bottle fill, minimizing dependency on disposable one-time-use plastic bottles. Units come with one or two touch-free electronic-eye faucet(s) which activate when a bottle is placed under the faucet's spout. It's that easy! A space-saving 12" front-to-back design. Models available with faucets to accommodate bottles from 8" to 12" tall. Anti-splash, wire, and custom trough covers available...consult factory.

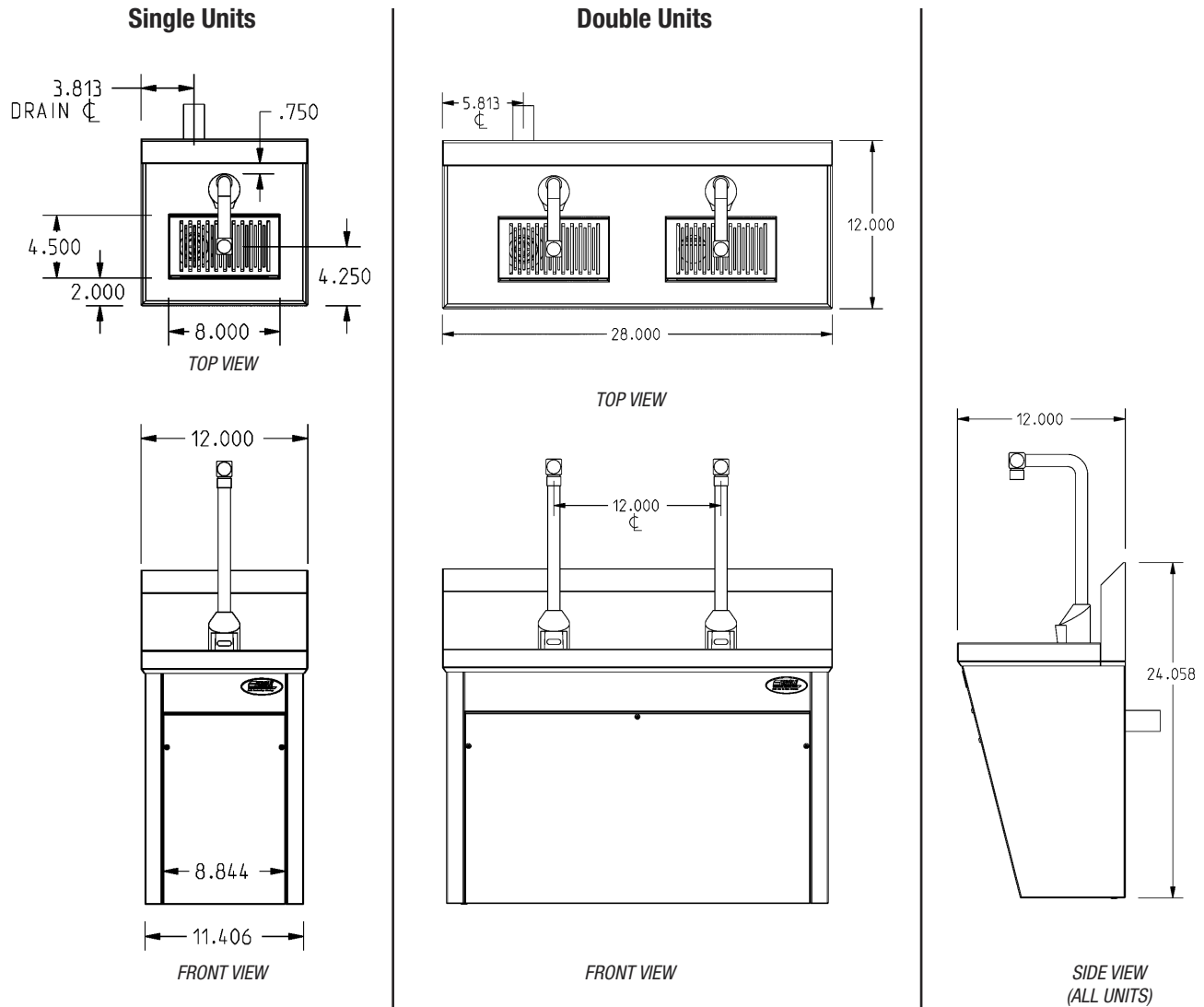
For custom configuration or fabrication needs, contact our **SpecFAB® Division**.

Phone: (302) 653-3000. FAX: (302) 653-2065.

E-mail: quotes@eaglegrp.com



Wall Mounted Bottle Filler Stations



description	T&S faucet part #	Single Units	Double Units
		model #	model #
Bottle filler station with apron. Single electric-eye faucet w/8" clearance	EC-1210-08	BF-1-08	BF-2-08
Bottle filler station with apron. Single electric-eye faucet w/10" clearance	EC-1210-10	BF-1-10	BF-2-10
Bottle filler station with apron. Single electric-eye faucet w/12" clearance	EC-1210-10	BF-1-12	BF-2-12
Bottle filler station with apron. Single electric-eye faucet w/8" clearance and water filter	EC-1210-08-WFK	BF-1-08-F	BF-2-08-F
Bottle filler station with apron. Single electric-eye faucet w/10" clearance and water filter	EC-1210-08-WFK	BF-1-10-F	BF-2-10-F
Bottle filler station with apron. Single electric-eye faucet w/12" clearance and water filter	EC-1210-08-WFK	BF-1-12-F	BF-2-12-F