



Model: \_\_\_\_\_ Item #: \_\_\_\_\_ Date: \_\_\_\_\_

Project: \_\_\_\_\_ Qty: \_\_\_\_\_ Approved By: \_\_\_\_\_

## One Compartment Drop-In Sinks with 1-1/2" Drains

Drop-In Sinks

### Standard Features (applies to all models)

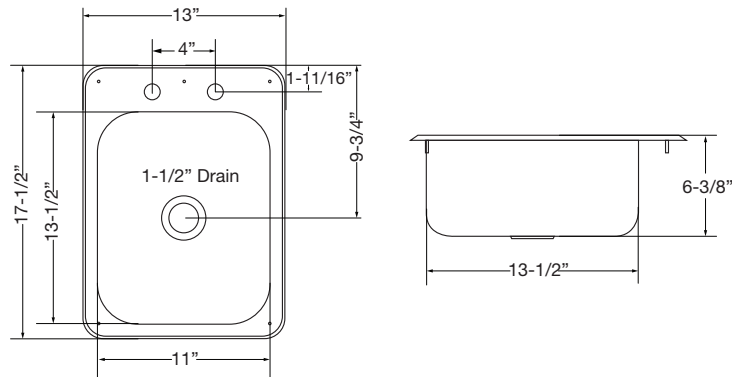
- 20 gauge stainless steel fabrication
- All seams tig welded and polished
- High quality deep drawn bowl
- Faucet & drain included
- Stainless steel 1-1/2" drain
- 4" center deck mount faucet
- Faucet included is certified to NSF/ANSI 61 and 372 and conforms with the lead content requirements for lead free plumbing as defined by the U.S. Safe Drinking Water Act. Hand sink is certified NSF-2.



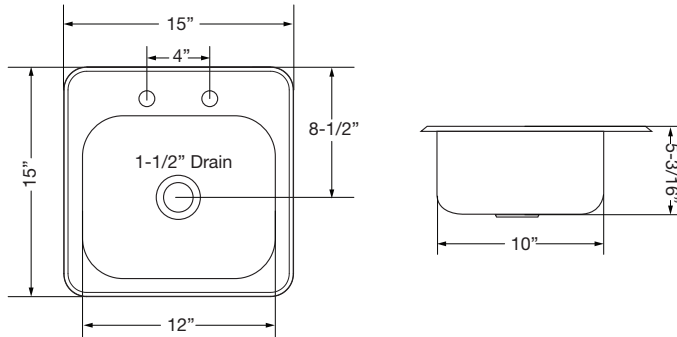
Model	Overall Size	Bowl Size	Cutout (1-1/4" Radius)	Spout Size (GPM)	Wgt.
HS-1317	13"W x 17-1/2"L x 6-3/8"D	11"W x 13-1/2"L x 6-3/8"D	11-1/2"W x 16"L	4-1/2" double bend (1.8 GPM)	8
HS-1515	15"W x 15"L x 5-3/16"D	12"W x 10"L x 5-3/16"D	14-3/8" x 14-3/8"	4-1/2" double bend (1.8 GPM)	8
HS-2017	20-1/4"W x 17-7/8"L x 7-1/2"D	17-7/8"W x 12-3/4"L x 7-1/2"D	18-1/4"W x 15-1/2"L	6" double bend (1.8 GPM)	10



**HS-1317**  
13 x 17-1/2" Drop-In Sink



**HS-1515**  
15 x 15" Drop-In Sink



**HS-2017**  
20-1/4" x 17" Drop-In Sink

