



T&S BRASS AND BRONZE WORKS, INC.

2 Saddleback Cove / P.O. Box 1088
Travelers Rest, SC 29690

Model No.

B-1130

Item No.

Travelers Rest, SC: 800-476-4103 • Simi Valley, CA: 800-423-0150 • Fax: 864-834-3518 • www.tsbrass.com



ADA Compliant

This Space for Architect/Engineer Approval

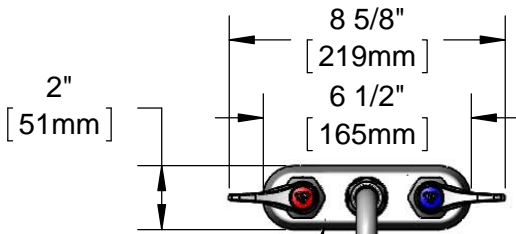
Job Name _____ Date _____

Model Specified _____ Quantity _____

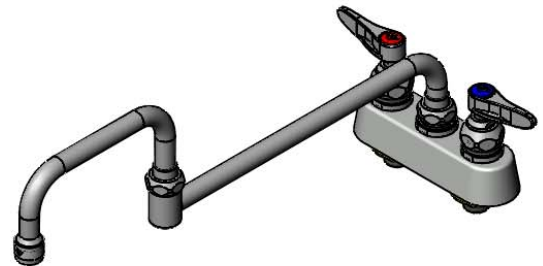
Customer/Wholesaler _____

Contractor _____

Architect/Engineer _____

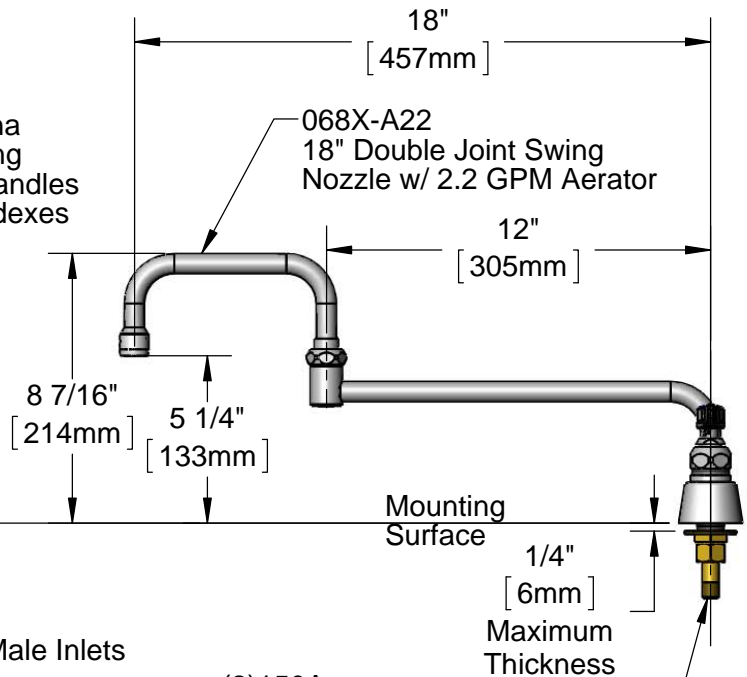
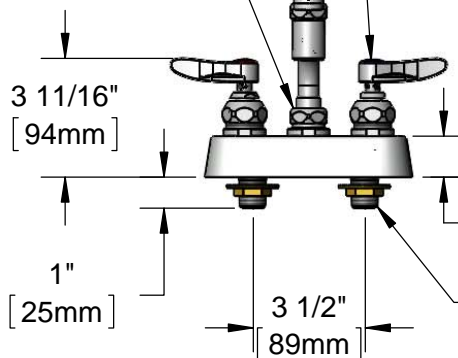


Polished Chrome Plated Escutcheon



Swivel Joint Converts to Rigid w/ 014200-45 Lock Washer (Included)

Quarter-Turn Eterna Cartridges w/ Spring Checks & Lever Handles w/ Color Coded Indexes



Mounting Surface
1/4" [6mm] Maximum Thickness

(2)150A
Optional Tailpieces & Nuts For 1/4" NPT Connection (Included)

Rough-In Requirement:
(2) ϕ 1" [25mm] Mounting Holes

Product Specifications:
3 1/2" Deck Mount Workboard Faucet, Quarter-Turn Eterna Cartridges w/ Spring Checks, Lever Handles, 18" Double Joint Swing Nozzle, 2.2 GPM Aerator & 1/2" NPT Male Inlets

Product Compliance:
ASME A112.18.1 / CSA B125.1
NSF 61 - Section 9
NSF 372 (Low Lead Content)
ANSI A117.1 (ADA)

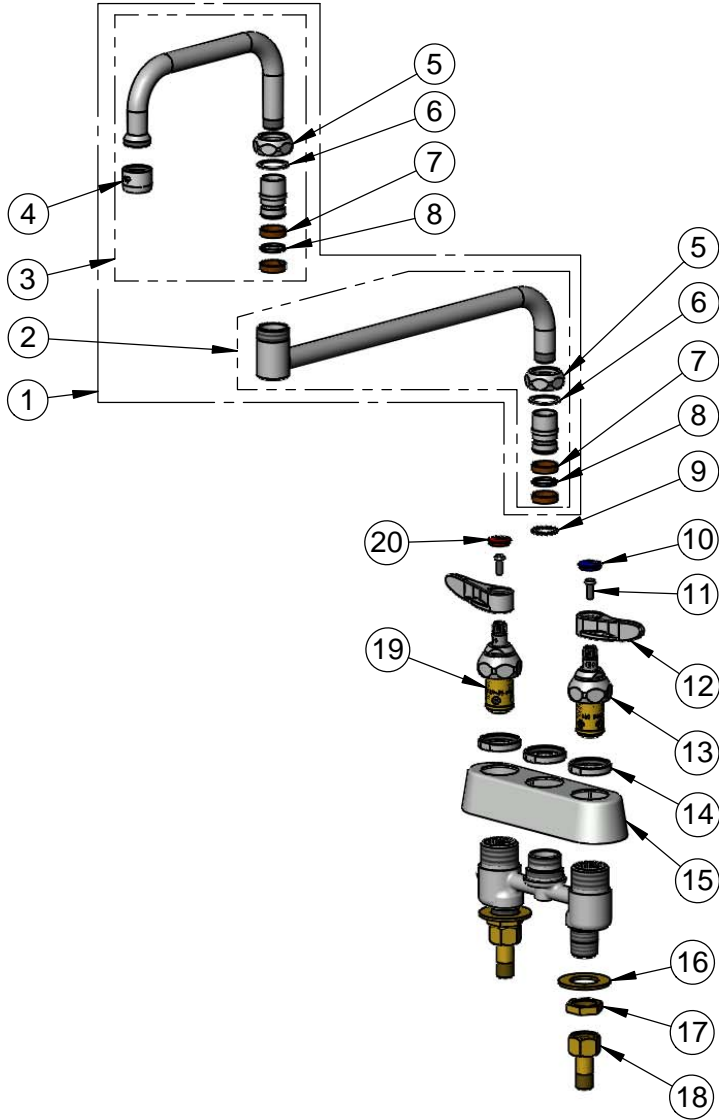


T&S BRASS AND BRONZE WORKS, INC.
 2 Saddleback Cove / P.O. Box 1088
 Travelers Rest, SC 29690

Model No.
B-1130

Item No.

Travelers Rest, SC: 800-476-4103 • Simi Valley, CA: 800-423-0150 • Fax: 864-834-3518 • www.tsbrass.com



| ITEM NO. | SALES NO. | DESCRIPTION |
|----------|-----------|--|
| 1 | 068X-A22 | 18" Double Joint Swing Nozzle w/ 2.2 GPM Aerator |
| 2 | 002871-40 | 12" Back Section (New Style) |
| 3 | 153X-A22 | 6" Front Section w/ 2.2 GPM Aerator |
| 4 | B-0199-01 | 2.2 GPM Aerator, 55/64"-27 UN Female |
| 5 | 019360-40 | Swivel Nut (New Style) |
| 6 | 009538-45 | Swivel Washer |
| 7 | 011429-45 | Swivel Sleeves (2) |
| 8 | 001074-45 | O-Ring |
| 9 | 014200-45 | Star Washer, Anti-Rotation |
| 10 | 019363-45 | Blue Button Index, Press-in |
| 11 | 000925-45 | Lab Handle Screw |
| 12 | 019361-45 | Lever Handle (New Style) |
| 13 | 019382-40 | Quarter-Turn New Style Eterna Cartridge w/ Spring Check, LTC |
| 14 | 019376-40 | Escutcheon Lock Nut |
| 15 | 019356-40 | B-1100 Eterna Workboard Escutcheon |
| 16 | 000999-45 | Brass Lock Washer |
| 17 | 002954-45 | Shank Lock Nut |
| 18 | 150A | 1/4" NPT Tailpiece & Nut |
| 19 | 019383-40 | Quarter-Turn New Style Eterna Cartridge w/ Spring Check, RTC |
| 20 | 019364-45 | Red Button Index, Press-in |

Product Specifications:
 3 1/2" Deck Mount Workboard Faucet, Quarter-Turn Eterna Cartridges w/ Spring Checks, Lever Handles, 18" Double Joint Swing Nozzle, 2.2 GPM Aerator & 1/2" NPT Male Inlets

Product Compliance:
 ASME A112.18.1 / CSA B125.1
 NSF 61 - Section 9
 NSF 372 (Low Lead Content)
 ANSI A117.1 (ADA)