



Profit from the Eagle Advantage®

Specification Sheet

Short Form Specifications

Eagle 2200 Series Ice Chests, model _____. Top, front, backsplash, fabricated ice bin and sliding cover are heavy gauge type 304 stainless steel. Ice bin is fully insulated, with 1½" drain. 1½" O.D. galvanized tubular legs with adjustable bullet feet.



B21C-22 ice chest

Options / Accessories

- Stainless steel leg kits (see below)
- Speed rails

Optional Stainless Steel Leg Kits for Ice Chests

add suffix #	description
-SL	stainless steel leg assemblies
-SLF	stainless steel leg assemblies & stainless steel feet
-SLG	stainless steel leg assemblies & stainless steel gussets
-SLGF	stainless steel leg assemblies, stainless steel feet & gussets

Item No.: _____
 Project No.: _____
 S.I.S. No.: _____

2200 Series Ice Chests

MODELS:

- | | | |
|---------------------------------------|---------------------------------------|---------------------------------------|
| <input type="checkbox"/> B12IC-22 | <input type="checkbox"/> B21C-12D-22 | <input type="checkbox"/> B36IC-12D-22 |
| <input type="checkbox"/> B12IC-12D-22 | <input type="checkbox"/> B21C-16D-22 | <input type="checkbox"/> B36IC-16D-22 |
| <input type="checkbox"/> B12IC-16D-22 | <input type="checkbox"/> B28IC-22 | <input type="checkbox"/> B42IC-22 |
| <input type="checkbox"/> B18IC-22 | <input type="checkbox"/> B30IC-22 | <input type="checkbox"/> B42IC-12D-22 |
| <input type="checkbox"/> B18IC-12D-22 | <input type="checkbox"/> B30IC-12D-22 | <input type="checkbox"/> B42IC-16D-22 |
| <input type="checkbox"/> B18IC-16D-22 | <input type="checkbox"/> B30IC-16D-22 | <input type="checkbox"/> B48IC-22 |
| <input type="checkbox"/> B21C-22 | <input type="checkbox"/> B36IC-22 | <input type="checkbox"/> B48IC-12D-22 |
| | | <input type="checkbox"/> B48IC-16D-22 |

Design and Construction Features

- Bullnose front edge.
- Stainless steel type 304 ice bin, backsplash, front, and sliding ice cover.
- Galvanized end panels and back panel.
- 1½" (38mm) drain centered in ice bin front and back.
- Ice bins are fabricated.
- High-impact, corrosion-resistant, fully-adjustable bullet feet.
- Standard models include 8", 12", or 16" (203, 305, or 406mm)-deep ice bins.
- Stainless steel all-welded construction with fiberglass insulation.

EAGLE GROUP

100 Industrial Boulevard
Clayton, DE 19938-8903 USA

Phone: 302-653-3000 • 800-441-8440

Fax: 302-653-2065

www.eaglegrp.com • www.eaglemhc.com

For custom configuration or fabrication needs, contact our SpecFAB® Division.

Phone: 302-653-3000 • Fax: 302-653-2065 • e-mail: quotes@eaglegrp.com

Certifications / Approvals



AutoQuotes



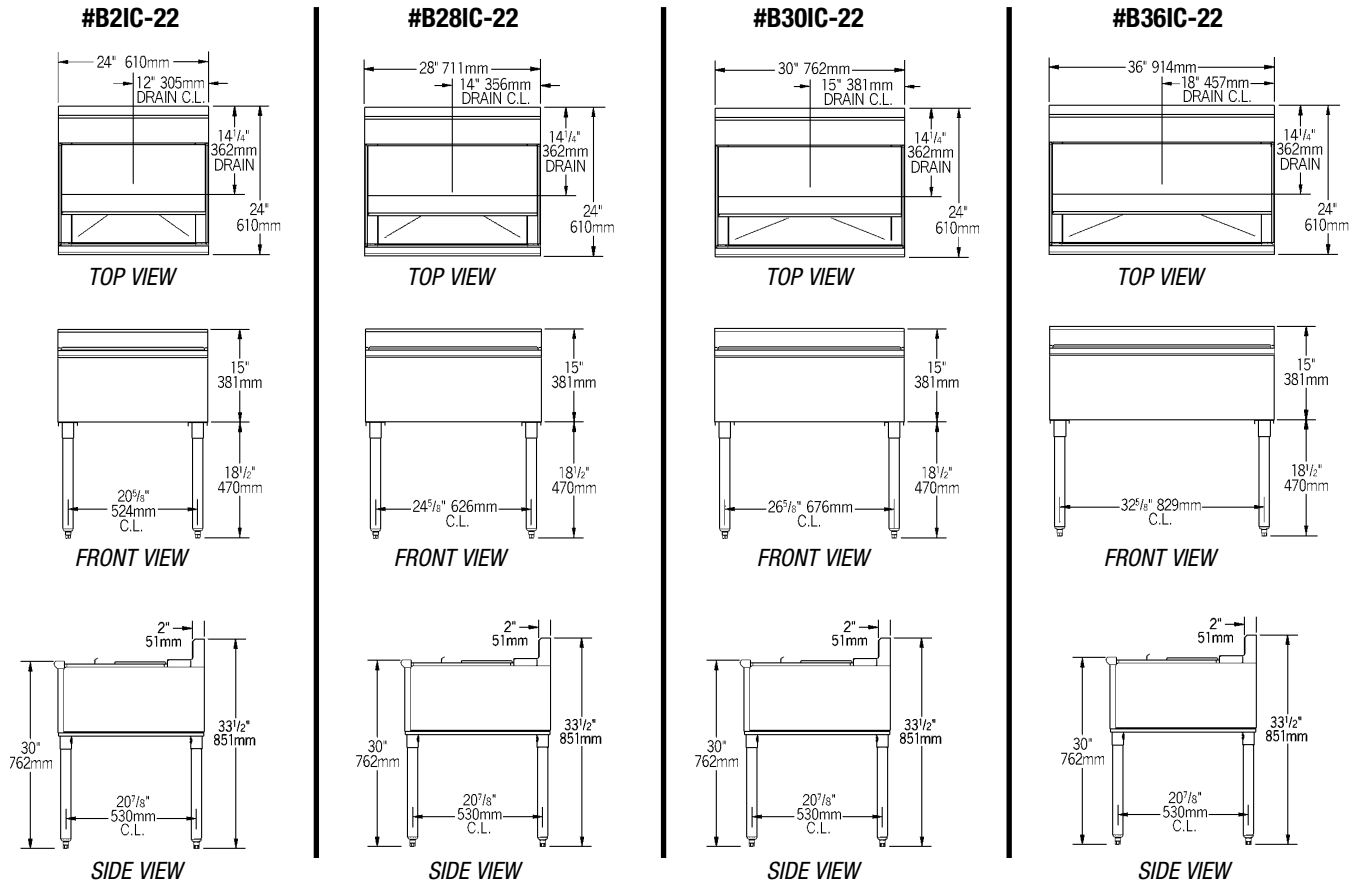
EG40.11A Rev. 03/22

Spec sheets available for viewing, printing or downloading from our online literature library at www.eaglegrp.com

Eagle Foodservice Equipment, Eagle MHC, SpecFAB®, and Retail Display are divisions of Eagle Group. © by the Eagle Group

Item No.: _____
 Project No.: _____
 S.I.S. No.: _____

2200 Series Ice Chests



model #	width in.	length mm	shipping weight lbs.	shipping weight kg	ice bin depth in.	ice bin depth mm	ice capacity lbs.	ice capacity kg		
B121C-22	24"	12"	610	305	44	20.0	8"	203	25	11.3
B121C-12D-22	24"	12"	610	305	46	20.9	12"	305	37	16.8
B121C-16D-22	24"	12"	610	305	51	23.1	16"	406	49	22.2
B181C-22	24"	18"	610	457	53	24.0	8"	203	44	20.0
B181C-12D-22	24"	18"	610	457	98	44.5	12"	305	65	29.5
B181C-16D-22	24"	18"	610	457	64	29.0	16"	406	87	39.5
B21C-22	24"	24"	610	610	149	67.6	8"	203	63	28.6
B21C-12D-22	24"	24"	610	610	159	72.1	12"	305	94	42.6
B21C-16D-22	24"	24"	610	610	169	76.7	16"	406	125	56.7
B281C-22	24"	28"	610	711	159	72.1	8"	203	75	34.0
B301C-22	24"	30"	610	762	169	76.7	8"	203	82	37.2
B301C-12D-22	24"	30"	610	762	179	81.2	12"	305	123	55.8
B301C-16D-22	24"	30"	610	762	189	85.7	16"	406	163	73.9
B361C-22	24"	36"	610	914	176	79.8	8"	203	101	45.8
B361C-12D-22	24"	36"	610	914	186	84.8	12"	305	151	68.5
B361C-16D-22	24"	36"	610	914	196	88.9	16"	406	201	91.2
B421C-22	24"	42"	610	1067	205	93.0	8"	203	120	54.4
B421C-12D-22	24"	42"	610	1067	214	97.0	12"	305	180	81.6
B421C-16D-22	24"	42"	610	1067	225	102.1	16"	406	239	108.4
B481C-22	24"	48"	610	1219	215	97.5	8"	203	139	63.1
B481C-12D-22	24"	48"	610	1219	224	101.6	12"	305	208	94.3
B481C-16D-22	24"	48"	610	1219	235	106.6	16"	406	278	126.1

EAGLE GROUP
 100 Industrial Boulevard, Clayton, DE 19938-8903 USA
 Phone: 302-653-3000 or 800-441-8440 • Fax: 302-653-2065
 www.eaglegrp.com • www.eaglemhc.com

Printed in U.S.A.
 ©2022 by Eagle Group
 Rev. 03/22

Spec sheets available for viewing, printing or downloading from our online literature library at www.eaglegrp.com

Although every attempt has been made to ensure the accuracy of the information provided, we cannot be held responsible for typographical or printing errors. Information and specifications are subject to change without notice. Please confirm at time of order.