

Project: \_\_\_\_\_

Item: \_\_\_\_\_

Quantity: \_\_\_\_\_

## Lifetime Series Roll-In Racks



4635



4338

Unequaled in their “user friendly” heavy duty construction, these Wide-Angle Roll-In Racks are built to last.

Designed for institutional, correctional, casino, hotel, university and hospital use — Ideal for facilities that require a durable rack to meet the needs of their around-the-clock usage.

- Specifically built for roll-in freezers, proofers, refrigerators, and retarders with a maximum height of 64” and inset casters.
- Two full welds on every angle connection— The most in the industry.
- Lifetime Guarantee against material defects and workmanship.
- Lifetime Guarantee against rust and corrosion.
- NSF Certified.



### Wide-Angle

#4337 - 11 sets of angle runners  
#4338 - 18 sets of angle runners



### Stepped-Angle

#4635- 12 sets of angle runners  
#4637- 18 sets of angle runners



All LIFETIME SERIES products carry a LIFETIME Guarantee against rust and corrosion as well as a LIFETIME Guarantee against material defects and workmanship.

New Age Industrial Corp., Inc. || [NewAgeIndustrial.com](http://NewAgeIndustrial.com) || Made in the USA

PO Box 520 • 16788 US Hwy 36 • Norton, Kansas 67654 || Phone: (800) 255-0104 • (785) 877-5121 || Fax: (877)-877-7687 • (785) 877-2616

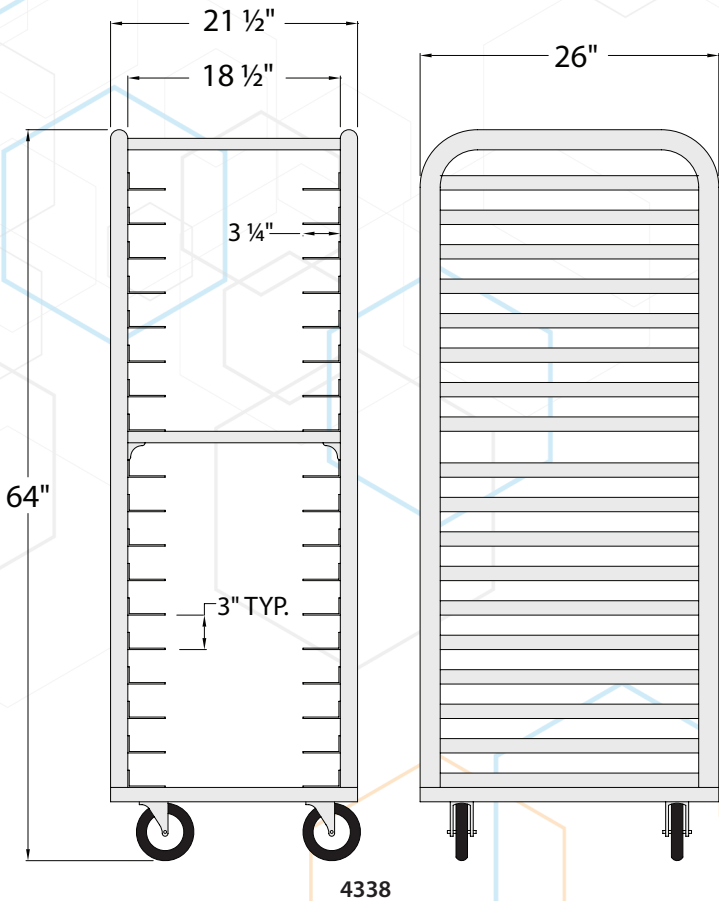
This information is for general sales and engineering use only. New Age Industrial reserves the right to modify or make changes at any time, without notice, to materials and specifications.

Project: \_\_\_\_\_

Item: \_\_\_\_\_

Quantity: \_\_\_\_\_

## Lifetime Series Roll-In Racks



- Uprights are constructed out of 1½" x 1¾" x .070" wall D- Tube.
- Wide-Angle Racks – Angle runners are 1½" x 3¼" x .100" wall
- Stepped-Angle Racks – Angle runners are 2" x 6¾" x .100" wall.
- Equipped with four 5" platform type swivel casters.
- **Lifetime Guarantee** against material defects and workmanship.
- **Lifetime Guarantee** against rust and corrosion.
- NSF Certified.

### ★ Wide-Angle & Stepped-Angle Roll-In Racks

Model No.	Size W-H-D	Angle Spacing	Ship Lbs.
<b>Wide-Angle Roll-In Racks</b>			
4337 **	21 ½" x 64" x 26"	5"	74
Pan Capacity = (11) 18" x 26", (10) 12" x 20", (22) 13" x 18", (22) 14" x 18"			
4338	21 ½" x 64" x 26"	3"	80
Pan Capacity = (18) 18" x 26", (17) 12" x 20", (36) 13" x 18", (36) 14" x 18"			
<b>Stepped-Angle Roll-In Racks</b>			
4635	25" x 64" x 26"	4 ½"	84
4637	25" x 64" x 26"	3"	118

Four 5" x 2" plate type swivel casters.

\*\* Top angle clearance is 4¼".

**Accepts:** Roast & Bake Pans 20" x 22", 18" x 26" & 10" x 20", Steamtable Pans 12" x 18" & 12" x 20", Bun Pans 18" x 13" & 18" x 26", Service Trays 15" x 20" & 14" x 18", Maxi Pan 20¾" x 25½", Standard GastroNorm Pans 20¾" x 25½"

**Note:** Angle Runners Are NOT ADJUSTABLE

**Options:** Options may not be NSF Certified. Contact the factory.

**Caster Locks (2)** - Add "CL" suffix to model #.

**Corner Bumpers (4)** - Add "B" suffix to model #.

**Solid Base** - Add "E" suffix to model #.

**Perimeter Bumper** - Add "PB" suffix to model #.

**Prison Package** (tamper resistant screws) - Add "PP" suffix to model #.

**Pan Stop** - Add "PS" suffix to model #.



All LIFETIME SERIES products carry a LIFETIME Guarantee against rust and corrosion as well as a LIFETIME Guarantee against material defects and workmanship.

New Age Industrial Corp., Inc. || [NewAgeIndustrial.com](http://NewAgeIndustrial.com) || Made in the USA

PO Box 520 • 16788 US Hwy 36 • Norton, Kansas 67654 || Phone: (800) 255-0104 • (785) 877-5121 || Fax: (877)-877-7687 • (785) 877-2616

This information is for general sales and engineering use only. New Age Industrial reserves the right to modify or make changes at any time, without notice, to materials and specifications.