



C-DHSB-12



Intertek

4004503

Conforms to NSF/ANSI STD 2

Specifications

Drain

- 1-1/2" I.P.S. threaded drain will fit Dearborn part #8033 slipnut and part #W-573P washer

Faucet

- Deck mount on 4" centers, accepts 3/8" sink leads, hot and cold water connection required
- Optional foot-operated faucet: single hole, (2) 1/2" NPT female inlets and (1) 1/2" NPT female outlet
- NSF/ANSI 61, 372 low lead compliant

Sink Bowl Dimensions

- 9-1/4" by 11-1/2" by 6" deep

Legs

- 1-5/8" diameter, 16 gauge stainless steel
- Stainless steel bullet feet

Materials

- 20 gauge stainless steel parts include: all components unless otherwise noted
- 14 gauge stainless steel parts include: towel holder front

To view cleaning and care instructions, please visit:
https://www.glastender.com/PDF/F-423-011_ss_clean_care.pdf

Project: _____	AIA# _____
Item #: _____ Qty: _____	SIS# _____
Model #: _____	

Door-Style Hand Sink

C-DHS

C-DHSB-12

Standard Features

- All stainless steel
- Complete welded construction to meet NSF[®] standards
- One piece seamless top and backsplash featuring 1/4" radius corners
- Drawn sink bowl
- Adjustable stainless steel bullet feet
- Top refillable soap dispenser and front flush C-fold paper towel dispenser

Configurable Options

- Foot-operated faucet; specify option FOF-D
- Side splashes; specify option C-LSB-D (left) and/or C-RSB-D (right)

Accessories

- 03000483 Wet waste sink strainer
- 03000511 Wrist handles, set of two



FOF-D
Foot-operated
faucet

WARNING: The plastic wet waste strainer included with this product can expose you to chemicals including Bisphenol A (BPA), which is known to the State of California to cause birth defects or other reproductive harm. For more information, go to www.P65Warnings.ca.gov. **Warning applies to State of California only.** Part #03000483

Glastender, Inc. • 5400 North Michigan Road • Saginaw, MI • 48604-9780
989.752.4275 • 800.748.0423 • Fax 989.752.4444
www.glastender.com

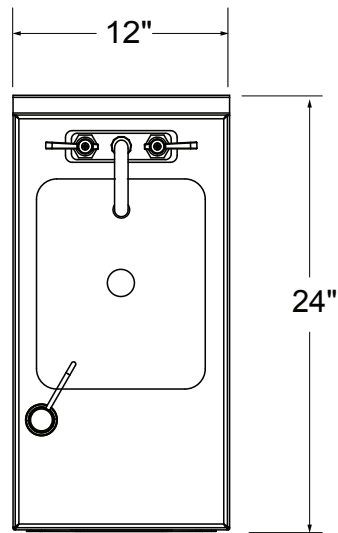
Approval/Notes:

Specifications subject to change without notice. For current specifications please visit our website.

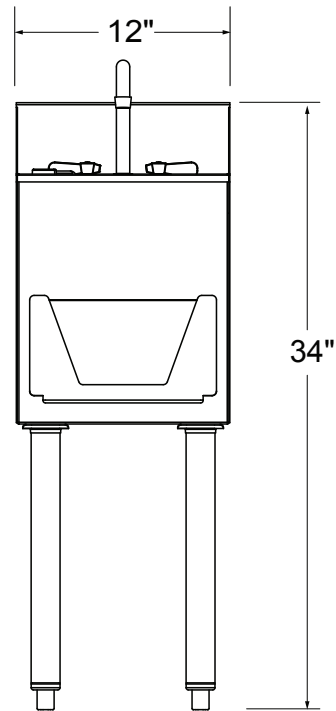
Choice Door-Style Hand Sink

Dimensional Information

PLAN VIEW



FRONT VIEW



SIDE VIEW

