



TRY A REFRESHING IDC PRO INTERACTIVE POST-MIX ICE DRINK DISPENSER

Revolutionary NEW interactive platform!

Fun and easy new scrolling interface for brand selection

Contemporary design

Large Digital Merchandising & Promotional Space

20 brands (10 per side)
8 Flavors (4 per side)

Easy-to-Clean Splash Panel

Standard BIB syrup

Dual Pivot Door



- Dual Dispense Nozzle
- Integrated Ice Maker Kit
- On-Board Diagnostic Service
- Dual-Touch Screen and User Interface
- IDC Platform Cold Carb
- Multi-Flavor Valves
- Lighting for targeting drink into cup
- ADA Compliant

FEATURES

NEW! Tap and scroll interface to make your selections

Choices - Interactive Dispense - Up to 20 brands (10 on each side 7 chilled and 3 ambient) and up to 8 flavor shots (4 per side), over 3,260 drink combinations

Merchandising - Commercial-grade HD promotional display 32" diagonal customizable video merchandiser delivers unique marketing message

Dispense Points - Dual touch screen/dual nozzle for simultaneous brand and flavor dispense

Dual Pivot Door (Zero clearance)- Ease of service and maintenance when units are side-by-side

Large ice capacity- 255 lb. ice capacity

Universal Adapter Kit - No adapter kit required for standard ice makers 22"W x 24"D or 30"W x 24"D

Durable - One-piece ABS thermoformed plastic (Durabide™ design) provides durability and ensures all ice in hopper is dispensable

Flexible - Can dispense cubed or chewable soft ice

Ease of Use - Modular design allows for easy component access from the front of the unit

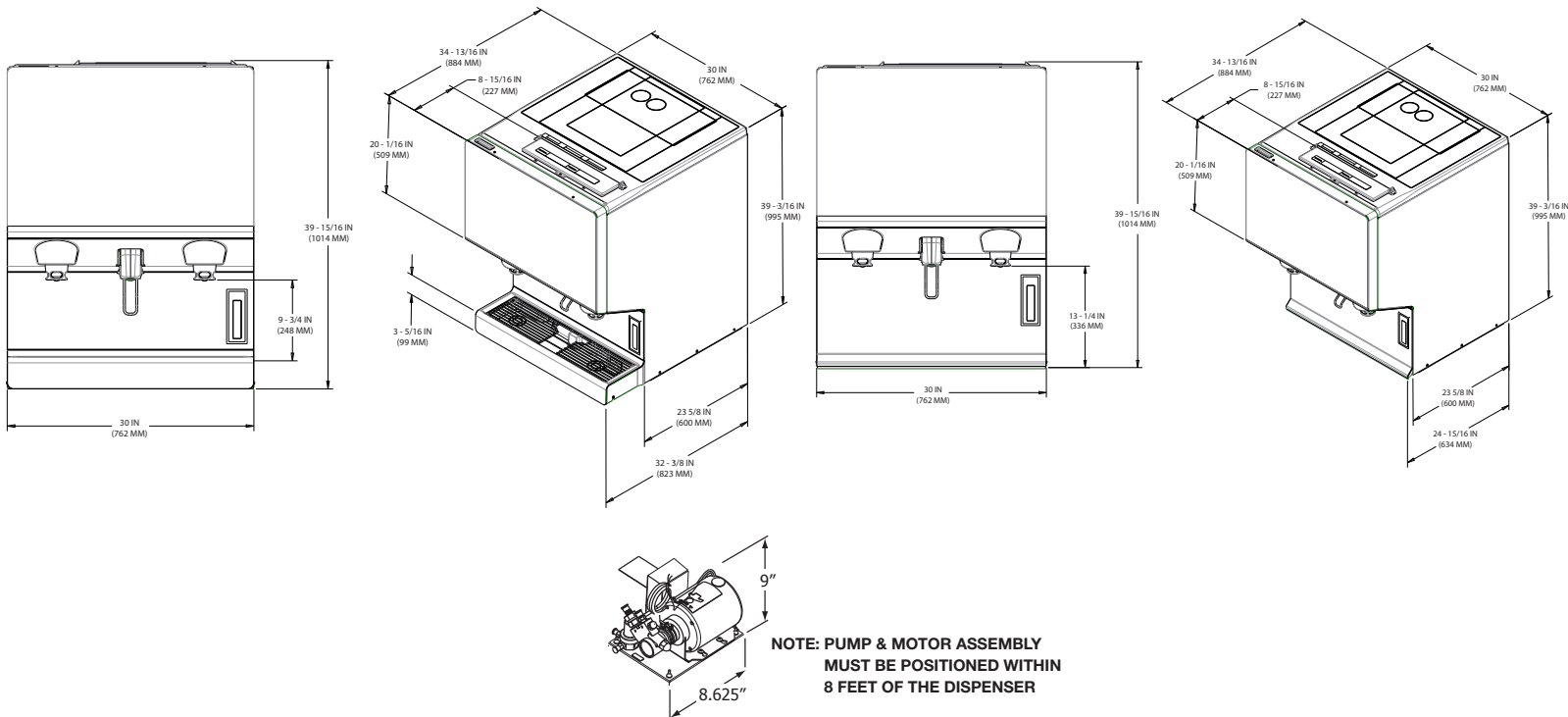
Easy to Clean - Polycarbonate material, merchandising, and lower panel. Scratch resistant.

ADA Compliant - Meets ADA requirements on a 34" counter

Flavor Shot - Blends with drink or top off for extra flavor

IDC Pro with Drip Tray

IDC Pro without Drip Tray



NOTE: PUMP & MOTOR ASSEMBLY MUST BE POSITIONED WITHIN 8 FEET OF THE DISPENSER

PART NUMBER	DESCRIPTION
621058656	IDC Pro (with drip tray) 20 brands (10 per side) 8 flavor shots (4 per side)
621058657	IDC Pro Z-Style (without drip tray) 20 brands (10 per side) 8 flavor shots (4 per side)

Units come standard with universal adapter kit. No adapter required for standard ice makers 22"W x 24" D or 30"W x 24"D. For ice makers of a different size, contact Customer Care.

TECHNICAL SPECIFICATIONS

DIMENSIONS..... 39 3/16"H x 30"W x 34 1/2"D
 SCREEN DIMENSIONS..... 32" Diagonally
 VIDEO FORMAT..... MP4 (H.264) (1920x800)
 VIDEO MAX SIZE..... 2GB
 STILL IMAGES..... .jpg or .png (1920x800)
 BRAND IMAGE FORMATpng (175x175 pixels)
 FLAVOR SHOT IMAGE FORMAT. . .png (225x225 pixels)
 COUNTER WEIGHT..... 440 lb (plus ice weight)
 SHIPPING WEIGHT..... 545 lb
 CAPACITY 255 lb ice bin capacity for cubed & chunklet (compressed) ice
 AMP DRAW 120 V / 60 Hz / 8.5 Amps
 ELECTRICAL RATING 115 V +/- 10% (only requires single outlet)
 WATER SUPPLY PRESSURE 50-60 psi at pump

CO₂ 75 psi at carbonator tank
 STANDARD FEATURES..... Timed agitation, electronic beverage keyswitch and 4" legs
 20 BRAND SYRUPS: (14 CHILLED / 6 AMBIENT)..... 60 psi/min
 8 FLAVOR SHOT SYRUPS: (AMBIENT)..... 20-25 psi/max
 VALVE..... 20 touch screen brands(10/nozzle) 8 touch screen flavor shots (4 per nozzle) Electronic TotalFlex
 FLOW RATE FOR BRANDS..... 3oz./sec valves
 CUP CLEARANCE..... 9.75"
 AGENCY LISTINGS.....



City of Los Angeles

