

|  |  |                   |        |
|--|--|-------------------|--------|
|  <b>REFRIGERATOR MANUFACTURER</b><br><b>Turbo air</b><br>more durable, efficient, beautiful | 4184 E. Conant St.<br>Long Beach, CA 90808<br>Tel. 310-900-1000<br>Fax. 310-900-1077<br><a href="http://www.turboairinc.com">www.turboairinc.com</a> | Project:          |        |
|  |  | Model #:          |        |
|  |  | Item #:           |        |
|  |  | Available W/H:    | Qty:   |
|  |  | Approval:         |        |
|  |  | AIA #:            | SIS #: |
|  |  | CSI Section 11400 |        |

# Pass Thru Half Solid Door Heated Cabinet

*Pass-Thru PRO Series*

## ≡ FEATURES & BENEFITS ≡

**Model : PRO-26-2H-PT(-L)(-LR)(-RL)  
PRO-26-2H2-PT(-L)(-LR)(-RL)**

- Digital temperature control & monitor system**
  - Keeps food products safe by maintaining constant temperatures
  - Alarm beeps when doors are not sealed
  - Early warning alarm program detects issues before malfunction occurs
  - Digital display allows for easy monitoring
  - Sensitive touch display
- Ducted fan air distribution system**  
 Maintains temperature within the food zone
- On/Off switch**  
 ON/OFF switch is located on control panel
- All stainless steel cabinet construction**  
 The PRO series model boasts a stainless steel interior and a **22 gauge** stainless steel exterior (galvanized steel top, bottom). It guarantees the utmost in cleanliness and long product life. The PRO series model adds a touch of style to the most refined setting.
- Sturdy, clean stainless steel shelving**  
 Shelves are the most important part of cleanliness as they come in direct contact with food. After a while, PVC coated wire shelves may peel, rust and lead to unsanitary conditions. Only the Turbo Air PRO series uniquely provides stainless steel shelving.
- High-density polyurethane insulation**  
 The entire cabinet structure and solid doors are foamed-in-place using high density, CFC free polyurethane insulation.
- LED interior lighting**
- Half length stainless steel solid doors with locks**
- Self-closing doors with stay open feature at 120 degrees**
- Heated cabinet holds 140°F ~ 180°F for the best in food preservation**
- Lifetime guaranteed heavy duty hinges and handles**
  - PRO-26-2H-PT: Right hinged, 115V
  - PRO-26-2H-PT-L: Left hinged, 115V
  - PRO-26-2H2-PT: Right hinged, 208V
  - PRO-26-2H2-PT-L: Left hinged, 208V
  - PRO-26-2H-PT-LR: (Front)Left hinged, (Back)Right hinged, 115V
  - PRO-26-2H2-PT-LR: (Front)Left hinged, (Back)Right hinged, 208V
  - PRO-26-2H-PT-RL: (Front)Right hinged, (Back)Left hinged, 115V
  - PRO-26-2H2-PT-RL: (Front)Right hinged, (Back)Left hinged, 208V



| Model   | Swing Door | CU./FT. | #of Shelves | Wattage (W) | AMPS        | Crated Weight (lbs.) | L x D x H <sup>†</sup> (inches)                                      |
|---|------------|---------|-------------|-------------|-------------|----------------------|--|
| PRO-26-2H-PT(-L)(-LR)(-RL)<br>PRO-26-2H2-PT(-L)(-LR)(-RL) | 4          | 26      | 3           | 1550        | 13.5<br>7.5 | 346                  | 28 <sup>3</sup> / <sub>4</sub> X 36 <sup>1</sup> / <sub>4</sub> X 78 |

# Pass Thru Half Solid Door Heated Cabinet

Pass-Thru  
PRO Series

## Model : PRO-26-2H-PT(-L)(-LR)(-RL) PRO-26-2H2-PT(-L)(-LR)(-RL)

| ELECTRICAL DATA            | PRO-26-2H-PT(-L)(-LR)(-RL)                                      | PRO-26-2H2-PT(-L)(-LR)(-RL)                                     |
|----------------------------|---|---|
| Voltage                    | 115V/60Hz/1Ph   | 208~230V/115V/60Hz/1Ph  |
| Plug Type                  | NEMA 5-15P  | NEMA L14-20P  |
| Full Load Amperes          | 13.5  | 7.5   |
| Wattage (W)                | 1550  | 1550  |
| Cord Length (ft.)          | 8   | 8   |
| DIMENSIONAL DATA           |   |   |
| # of Doors                 | 4   | 4   |
| # of Racks Accepted        | 1   | 1   |
| Net Capacity (cu. ft.)     | 26  | 26  |
| Ext. Length Overall (in.)  | 28 <sup>3</sup> / <sub>4</sub> (730mm)                          | 28 <sup>3</sup> / <sub>4</sub> (730mm)                          |
| Ext. Depth Overall (in.)*  | 36 <sup>1</sup> / <sub>4</sub> (920mm)                          | 36 <sup>1</sup> / <sub>4</sub> (920mm)                          |
| Ext. Height Overall (in.)† | 78 (1982mm)   | 78 (1982mm)   |
| Int. Length Overall (in.)  | 22 (559mm)  | 22 (559mm)  |
| Int. Depth Overall (in.)   | 27 <sup>5</sup> / <sub>8</sub> (702mm)                          | 27 <sup>5</sup> / <sub>8</sub> (702mm)                          |
| Int. Height Overall (in.)  | 58 <sup>3</sup> / <sub>4</sub> (1493mm)                         | 58 <sup>3</sup> / <sub>4</sub> (1493mm)                         |
| # of Shelves               | 3   | 3   |
| Shelf Size (L x D) (in.)   | 23 <sup>1</sup> / <sub>2</sub> x 26 <sup>3</sup> / <sub>8</sub> | 23 <sup>1</sup> / <sub>2</sub> x 26 <sup>3</sup> / <sub>8</sub> |
| Net Weight (lbs.)          | 301   | 301   |
| Gross Weight (lbs.)        | 346   | 346   |

Design and specifications subject to change without notice.

Actual shipping weight may differ due to extra packing materials for product protection.

\* Depth does not include 2-1/2" for door handles.

† Height does not include 5" for caster height.

### ■ WARRANTY : 3 Year Parts and Labor Warranty

### ■ STANDARD FEATURES

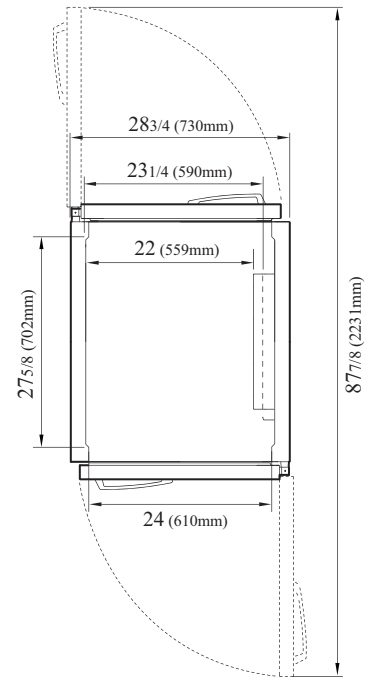
- Door locks
- 4" dia. swivel casters with locks on the front set
- Easy replaceable one piece magnetic door gaskets
- Solid and sturdy grille design

### ■ OPTIONAL ACCESSORIES

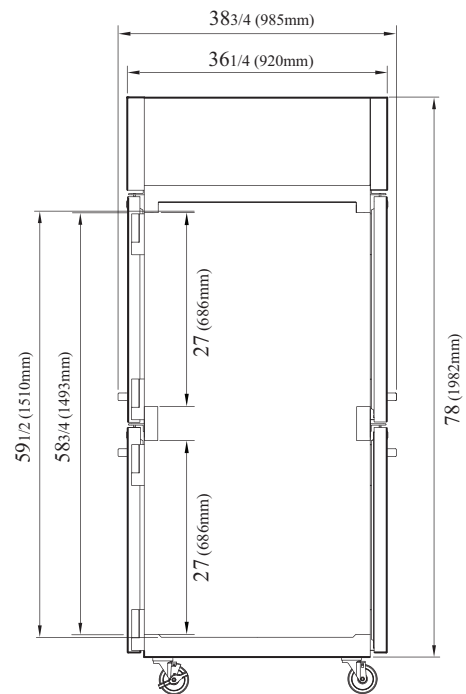
- 5" caster, 1/2" diameter & 13 TPI:  
M726500100 (non-brake), M726500200 (w/ brake)
- 4.7" leveling seismic leg (1/2", 13 TPI): 30221M0500
- 6" stainless steel leg: 30221M0600
- Additional stainless steel shelf: H26R901680
- Tray slides kits: TS1-N1(#1), TS1-N4(#4), TS1-UN(Universal), TS1-N1 HALF, TS1-N4 HALF, TS1-UN HALF

## PLAN VIEW

(unit : inch)



TOP VIEW



SIDE VIEW

Ver.20230608



- Turbo Air : 800-627-0032
- GK : 800-500-3519
- Warranty : 800-381-7770
- AC : 888-900-1002