

APPLICATION:

PRODUCT NAME:
REEL RINSE CEILING CVD 30 SV

JOB NAME:

MODEL:

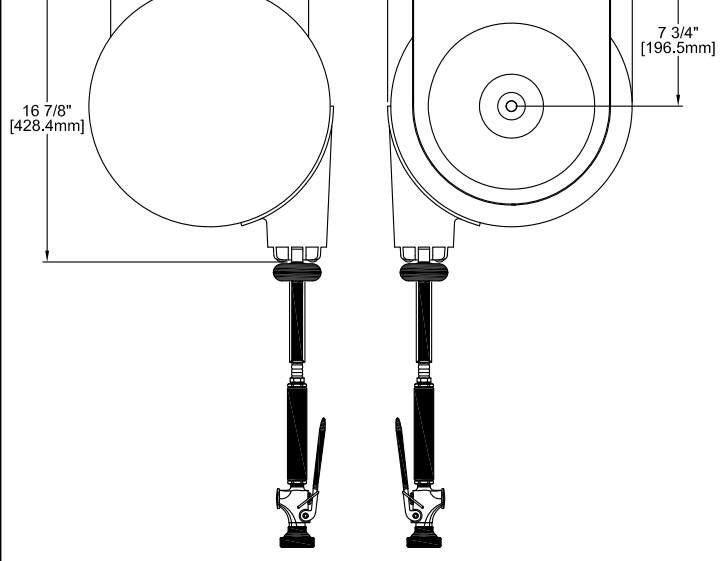
QUANTITY:

ITEM NO.:

32027 REEL RINSE CEILING CVD 30 SV

OPTIONS OR MODIFICATIONS:

OTHER _____

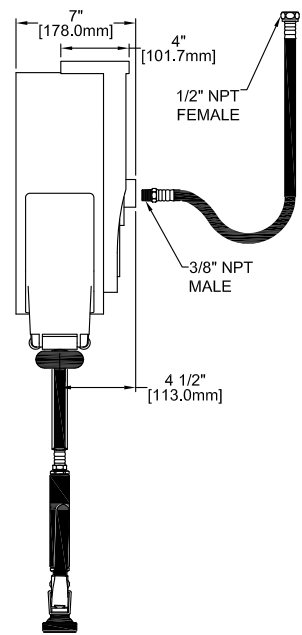


- FEATURES:
- * CLOSED DESIGN
 - * SELF-LOCKING
 - * WALL MOUNTED
 - * 30' LENGTH REEL HOSE
 - * 3-PLY FIBER REINFORCED
 - * 3/8" FEMALE NPT INLET
 - * 18" LENGTH INLET HOSE
 - * ADJUSTABLE BALL STOP

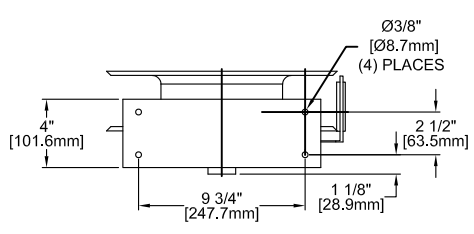
- PRO SPRAY VALVE
- * NOZZLE THREADED INTO VALVE
 - * 2.65 GPM AT 80 PSI
 - * SHOWER SPRAY PATTERN

- SYSTEM LIMITS
- * TEMP: 40°F MIN. TO 160°F MAX.
 - * PRESSURE: 200 PSI MAX. STATIC

- SHIPPING WEIGHT
- * 34.0 LBS



ROUGH-IN: SEE MOUNTING PLATE BELOW



FISHER MANUFACTURING COMPANY
TOLL FREE: 800-421-6162 - FAX: 800-832-8238
information@fisher-mfg.com - www.fisher-mfg.com