

# "PB-DIIB" DROP-IN ICE BIN

*w/o Cold Plate*

**FEATURES:**

- 10" Deep Ice Bin
- Insulated Basin
- 1/2" Raised Lip Around Top Of Ice Bin
- Includes Stainless Steel Sliding Lid
- Includes 1-7/8" Drain With 1" NPS Threads

**SPECIFICATIONS:**

- Ice Bins Are TIG Welded, Exposed Welds Are Polished To Match Adjacent Surface
- Deck: 14GA Type 300 Stainless Steel
- Base: 18GA Type 300 Stainless Steel

**CERTIFICATIONS:**



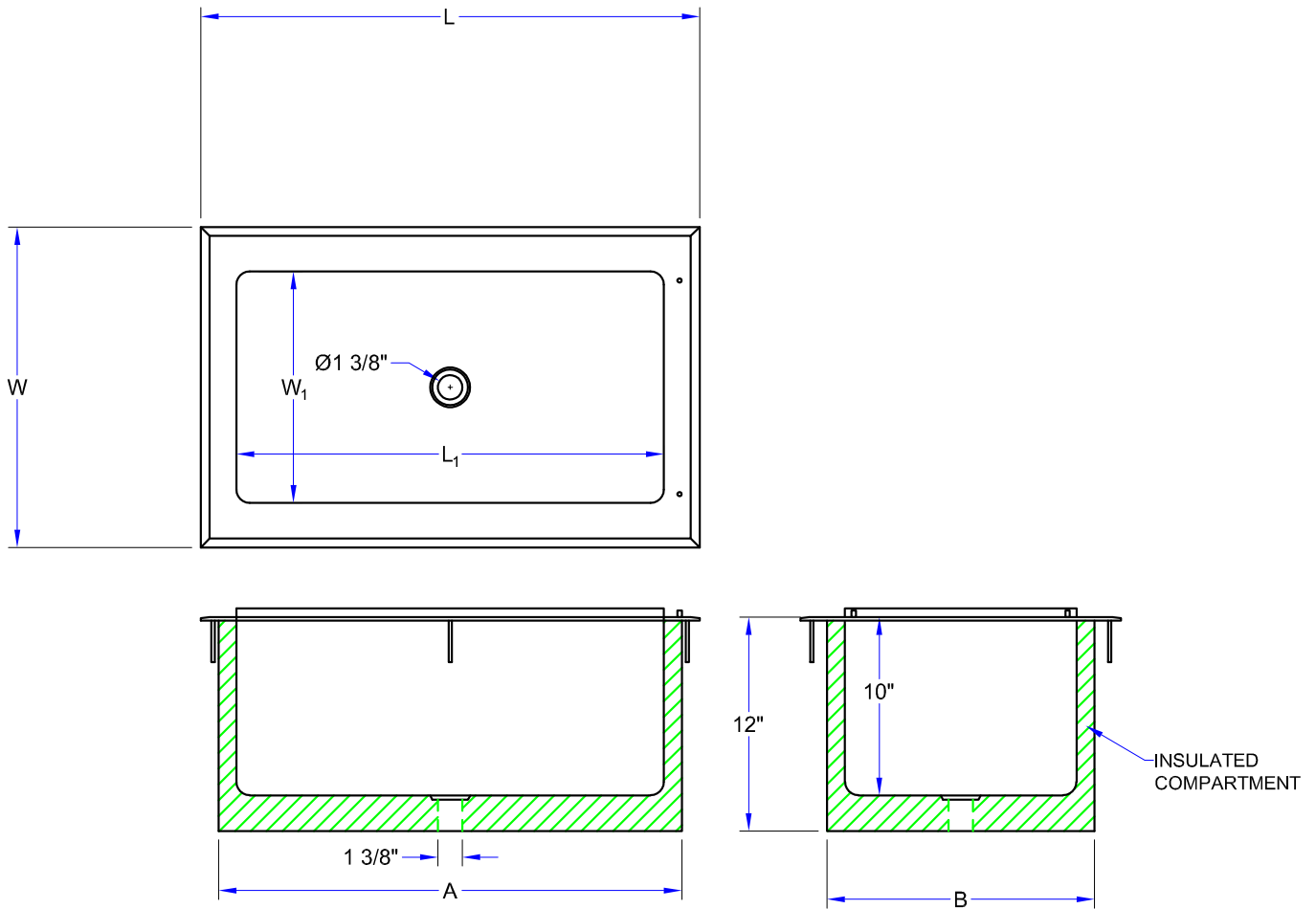
PB-DIIB2818

## "PB-DIIB" DROP-IN ICE BIN WITHOUT COLD PLATE

| MODEL       | OVERALL SIZE (L X W) | INTERNAL LENGTH (L') | INTERNAL WIDTH (W') | CUTOUT LENGTH (A) | CUTOUT WIDTH (B) | ICE CAP. (LBS) | WEIGHT (LBS) |
|-------------|----------------------|----------------------|---------------------|-------------------|------------------|----------------|--------------|
| PB-DIIB1218 | 12"x18"              | 9"                   | 13"                 | 11-1/4"           | 17-1/8"          | 25             | 24           |
| PB-DIIB2218 | 22"x18"              | 18"                  | 13"                 | 21"               | 17-1/8"          | 50             | 41           |
| PB-DIIB2818 | 28"x18"              | 24"                  | 13"                 | 27"               | 17-1/8"          | 67             | 49           |
| PB-DIIB3418 | 34"x18"              | 30"                  | 13"                 | 33"               | 17-1/8"          | 84             | 57           |

ALL DIMENSIONS ARE TYPICAL. TOLERANCE +/- .500". JOHN BOOS & CO. RESERVES THE RIGHT TO CHANGE SPECIFICATIONS WITHOUT NOTICE.

# DETAILED SPECIFICATIONS



## "PB-DIIB" DROP-IN ICE BIN WITHOUT COLD PLATE

| MODEL       | OVERALL SIZE (L X W) | INTERNAL LENGTH (L') | INTERNAL WIDTH (W') | CUTOUT LENGTH (A) | CUTOUT WIDTH (B) | ICE CAP. (LBS) | WEIGHT (LBS) |
|-------------|----------------------|----------------------|---------------------|-------------------|------------------|----------------|--------------|
| PB-DIIB1218 | 12"x18"              | 9"                   | 13"                 | 11-1/4"           | 17-1/8"          | 25             | 24           |
| PB-DIIB2218 | 22"x18"              | 18"                  | 13"                 | 21"               | 17-1/8"          | 50             | 41           |
| PB-DIIB2818 | 28"x18"              | 24"                  | 13"                 | 27"               | 17-1/8"          | 67             | 49           |
| PB-DIIB3418 | 34"x18"              | 30"                  | 13"                 | 33"               | 17-1/8"          | 84             | 57           |

ALL DIMENSIONS ARE TYPICAL. TOLERANCE +/- .500". JOHN BOOS & CO. RESERVES THE RIGHT TO CHANGE SPECIFICATIONS WITHOUT NOTICE.