



WCS300SV

12" Professional Food Slicer



12" Professional Food Slicer



MAIN FEATURES

- 1 HP* commercially rated motor
- 12" blade, crafted in Italy of tempered, hard chrome for long-lasting sharpness
- Cast aluminum base and carriage ensures sturdy slicing
- High-efficiency, ventilated induction motor prevents overheating and runs quietly
- Belt-driven, with fixed blade for slicing ease and precision
- Easily adjustable slicing thickness from 0"–.59" (0–14.9mm)
- Made in Italy
- Limited One Year Warranty

*Peak Input

ELECTRICAL

Voltage: 120

Frequency: 60 Hz

Amps: 1.5

Plug Type: NEMA 5-15P 

Cord Length: 4 feet



SALES FEATURES

The WCS300SV is Waring's largest and most powerful food slicer. Built in Italy, with a commercially rated 1 HP* motor, it handles the big jobs without slowing down. The extra wide, 12" blade is made of tempered hard chrome and holds its sharp edge for long-lasting, precision slicing. The blade easily adjusts slice thickness from 0–.59 in. to cut a variety of foods into perfect slices. Waring's heavy-duty food slicer features a tilt-out carriage design for easy cleanup.



@waringcommercial

©2019 Waring Commercial
314 Ella T. Grasso Avenue, Torrington, CT 06790
Tel. 800-492-7464 • Fax 860-496-9008

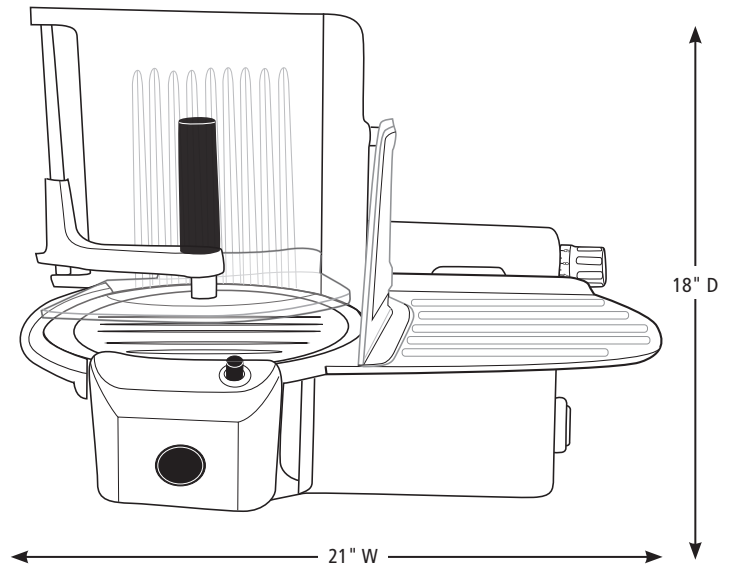
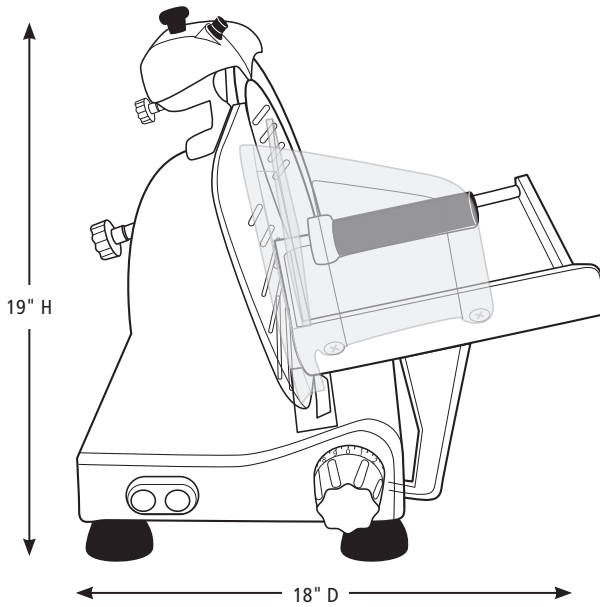
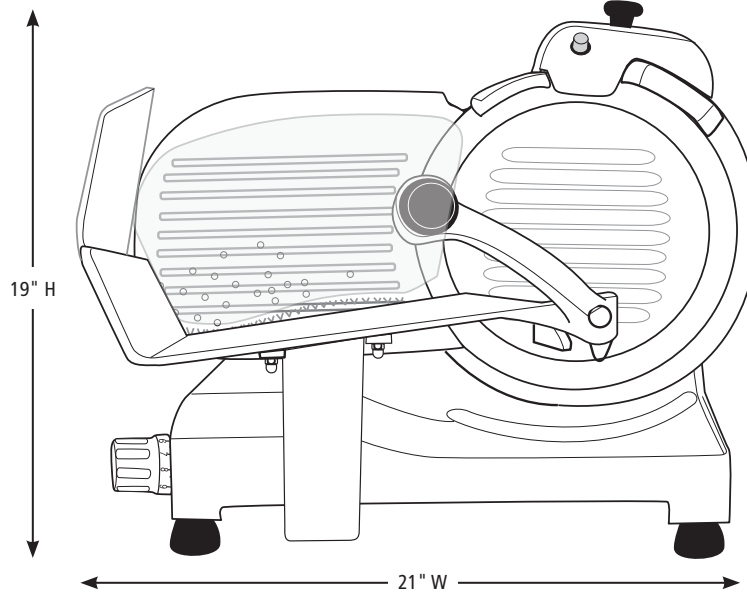
waringcommercialproducts.com

WCS300SV



12" Professional Food Slicer WCS300SV

DIMENSIONS



Out of Box Weight: 45.55 lb.

ORDERING INFORMATION	#STD. PKG.	GIFTBOX WEIGHT	CUBIC FEET	BOX DIMENSIONS D X W X H	UPC	CASE PKG.	MC WEIGHT	MC DIMENSIONS D X W X H	MBC
WCS300SV- 12" Professional Food Slicer	1	45.5 lb.	7.234	26" x 22.625" x 21.25"	040072080340	1	48.1 lb.	26.625" x 23.125" x 22.125"	10040072080347



@waringcommercial

©2019 Waring Commercial
314 Ella T. Grasso Avenue, Torrington, CT 06790
Tel. 800-492-7464 • Fax 860-496-9008

waringcommercialproducts.com

19WC059750 / REV 09/19