



**T&S BRASS AND BRONZE WORKS, INC.**  
 2 Saddleback Cove / P.O. Box 1088  
 Travelers Rest, SC 29690

Model No.  
**B-7161-C**

Item No.

Travelers Rest, SC: 800-476-4103 • Simi Valley, CA: 800-423-0150 • Fax: 864-834-3518 • www.tsbrass.com

This Space for Architect/Engineer Approval

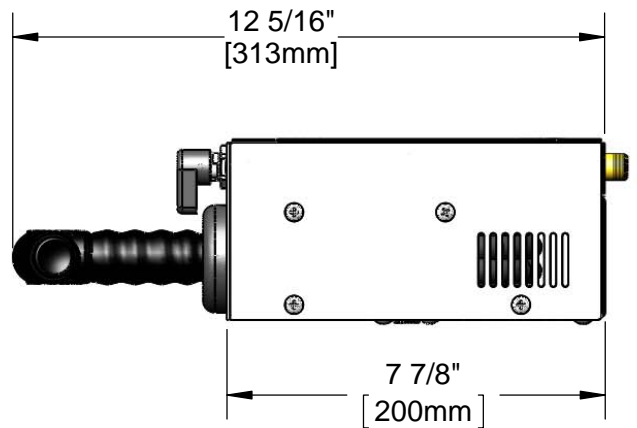
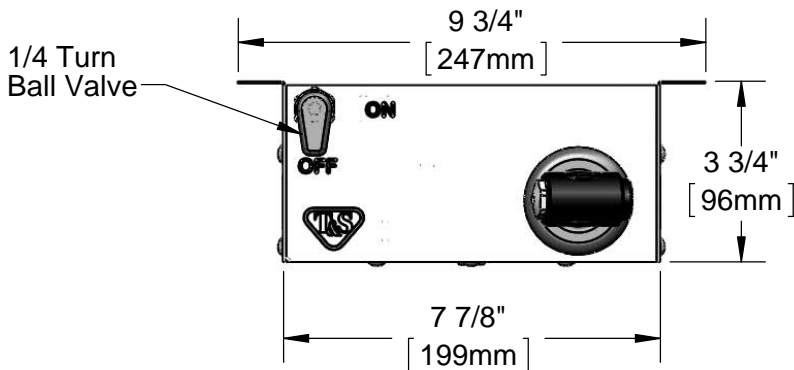
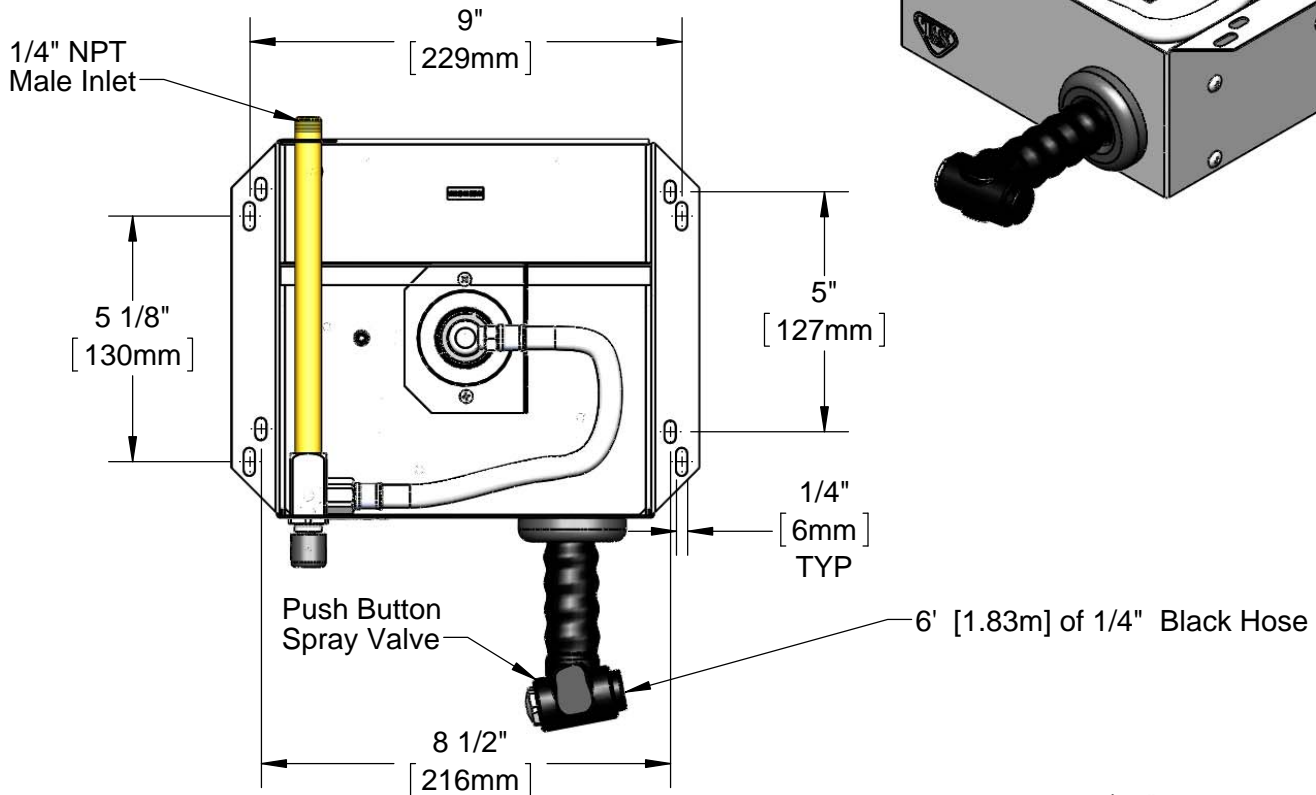
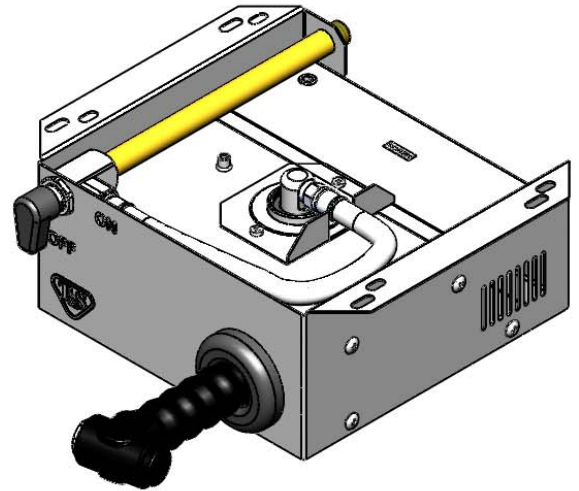
Job Name \_\_\_\_\_ Date \_\_\_\_\_

Model Specified \_\_\_\_\_ Quantity \_\_\_\_\_

Customer/Wholesaler \_\_\_\_\_

Contractor \_\_\_\_\_

Architect/Engineer \_\_\_\_\_



**Product Specifications:**  
 6' Combi Oven Hose Reel w/ Stainless Steel Shroud, Retractable Hose with Push Button Spray Valve, 1/4" NPT Supply Nipple & 1/4 Turn Supply Valve

**Product Compliance:**  
 NSF 61 Exempt (Non-Potable)  
 EPA Act 2005 Non-Compliant (PRSV)



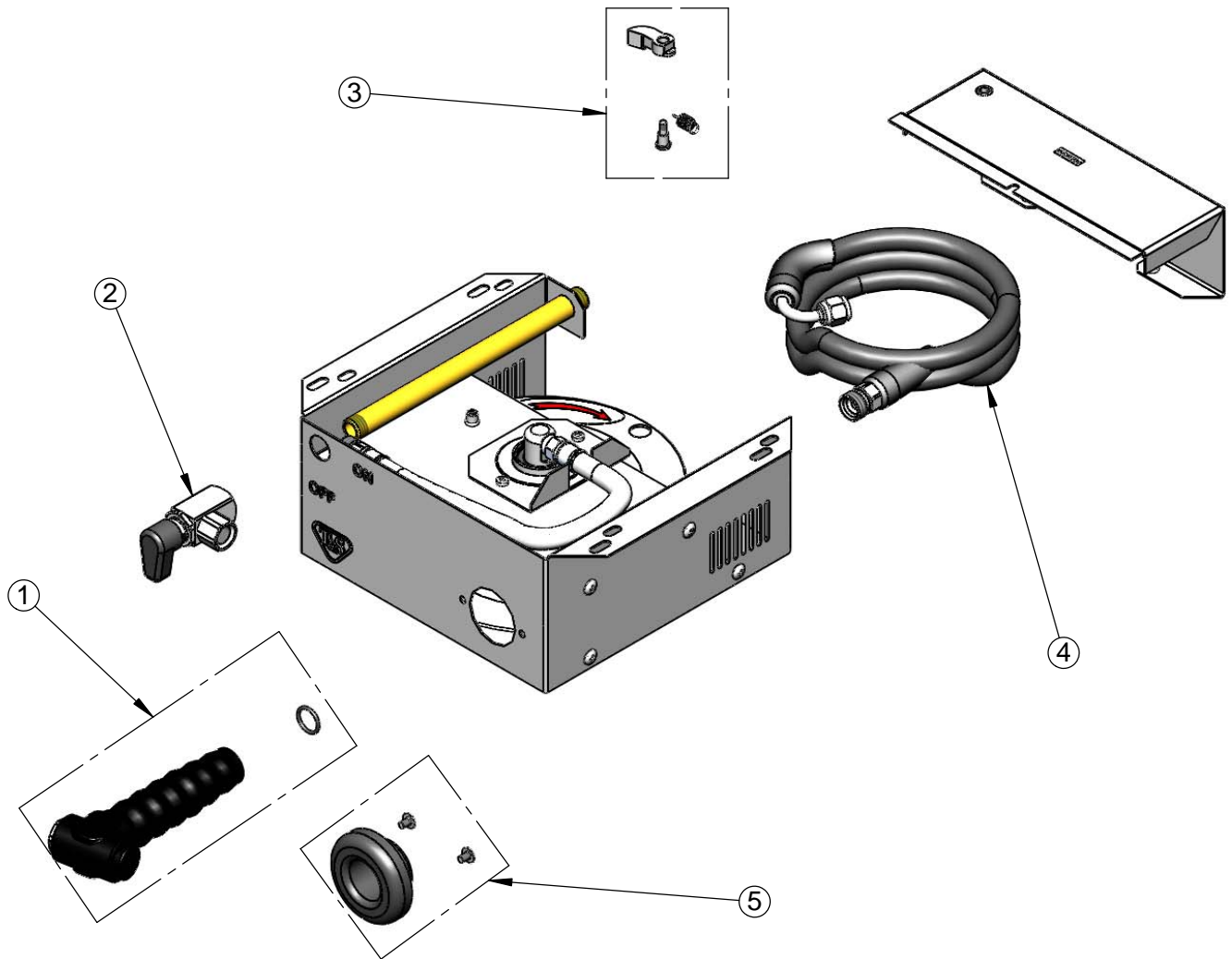
**T&S BRASS AND BRONZE WORKS, INC.**  
 2 Saddleback Cove / P.O. Box 1088  
 Travelers Rest, SC 29690

Model No.  
**B-7161-C**

Item No

Travelers Rest, SC: 800-476-4103 • Simi Valley, CA: 800-423-0150 • Fax: 864-834-3518 • www.tsbrass.com

ITEM NO.	SALES NO.	DESCRIPTION
1	018332-45	Push Button Spray Valve
2	018528-45	1/4 Turn Supply Valve
3	018355-45	Ratchet Repair Kit
4	018327-45	6' [1.83m] of 1/4" Black Hose w/ Bend Restrictors
5	018325-45	Hose Guide Repair Kit



**Product Specifications:**  
 6' Combi Oven Hose Reel w/ Stainless Steel Shroud, Retractable Hose with Push Button Spray Valve, 1/4" NPT Supply Nipple & 1/4 Turn Supply Valve

**Product Compliance:**  
 NSF 61 Exempt (Non-Potable)  
 EPA Act 2005 Non-Compliant (PRSV)