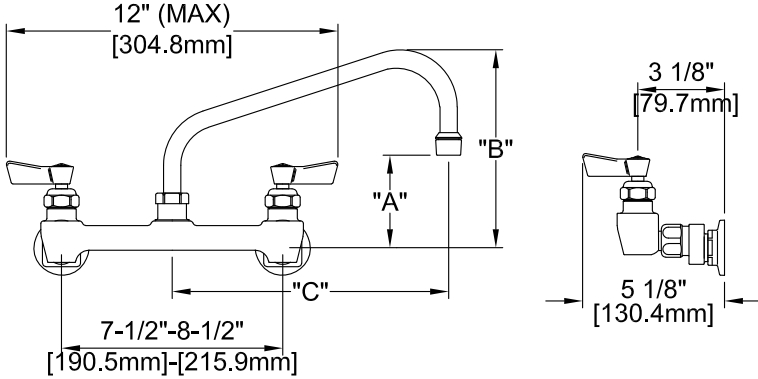


Customer/Wholesaler:	Date:	Job Name:	Model Specified:	Quantity:
Contractor:		Architect/Engineer:		



MODEL:

- 3250 FAUCET 8AWLH 06SS
- 3251 FAUCET 8AWLH 08SS
- 3252 FAUCET 8AWLH 10SS
- 3253 FAUCET 8AWLH 12SS
- 3254 FAUCET 8AWLH 14SS
- 9102 FAUCET 8AWLH 16SS

OPTIONS OR MODIFICATIONS:

- OTHER _____

FEATURES:

- * 8" ADJUSTABLE WALL MOUNT
- * ECCENTRICS ADJUST FROM 7-1/2" TO 8-1/2"
- * SWIVELING SEAT DISKS
- * HOT SIDE STEM - RIGHT HAND
- * COLD SIDE STEM - LEFT HAND
- * STAINLESS STEEL SEATS
- * STAINLESS STEEL SEAT SCREWS
- * STAINLESS STEEL HANDLE SCREWS

SYSTEM LIMITS

- * TEMP: 40°F MIN. TO 160°F MAX.
- * PRESSURE 200 PSI MAX. STATIC
- * 2.20 GPM AT 60 PSI (8.3 L/min @410 KPa)

SHIPPING WEIGHT

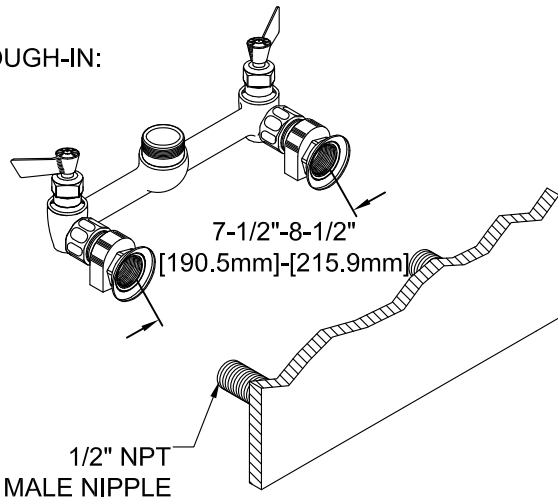
- * 5.0 LBS

PRODUCT COMPLIANCE:

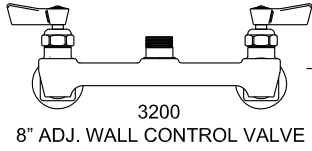
- * ASME A112.18.1 / CSA B125.1
- * NSF 61 - Section 9
- * NSF 372 (Low Lead Content)

MODEL	DIM "A"	DIM "B"	DIM "C"
3250	2-1/4" [57.2mm]	5-7/8" [149.2mm]	6" [152.4mm]
3251	2-1/2" [63.5mm]	6-3/8" [161.9mm]	8" [203.2mm]
3252	3-1/8" [79.4mm]	6-7/8" [174.6mm]	10" [254.0mm]
3253	3-3/4" [95.3mm]	7-3/8" [187.3mm]	12" [304.8mm]
3254	4-3/8" [111.1mm]	8-1/4" [209.6mm]	14" [355.6mm]
9102	5" [127.0mm]	8-7/8" [225.4mm]	16" [406.4mm]

ROUGH-IN:



Replacement Parts for Wall Mount Faucets



2000-7500
SCREW



2000-8000
RED BUTTON
AND
2000-8001
BLUE BUTTON

2000-0002
LEVER HANDLE KIT



LEVER HANDLE



2000-3002
BIBB CAP



73657
DUCK GASKET

3000-0000
RH SWIVEL STEM
REPAIR KIT
OR
3000-0001
LH SWIVEL STEM
REPAIR KIT



2000-5000
WASHER



3000-0010
LH SWIVEL STEM
OR
3000-0011
RH SWIVEL STEM

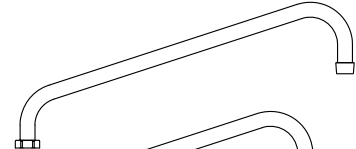
2000-5003
SEAT WASHER

1000-7502
SCREW

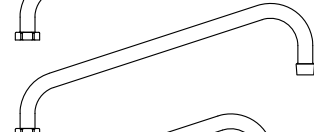


73521
LUBE

3967
16" SWING SPOUT



3964
14" SWING SPOUT



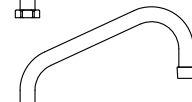
3963
12" SWING SPOUT



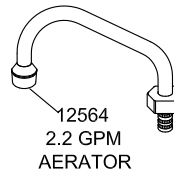
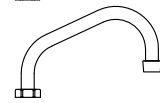
3962
10" SWING SPOUT



3961
8" SWING SPOUT



3960
6" SWING SPOUT



73684
SPOUT NUT



20020
SNAP RING



1600-5000
SPOUT
O-RING



73521
LUBE



19119
SWIVEL SPOUT
RETRO-FIT KIT



3200-2306
ECCENTRIC
FLANGES



3200-2307
1/2" ECCENTRICS



2200-5000
ECCENTRIC GASKETS