

Keep your food hot, fresh and uniquely displayed with Admiral Craft's

HDRP-158 • 158 Liter

ROTATING PIZZA DISPLAY

Whether you want to display piping hot pizza, or other heated foods, this 158 Liter Rotating Pizza Display by Adcraft is guaranteed to keep your product looking and tasting delicious.

This unit comes with a 4-tier pizza rack and illuminates product with brilliant LED lighting on the sides. A great addition to concession stands, snack bars, arenas and stadiums, this display will keep the focus where it belongs — on your product!

- Brilliant Internal LED illumination on sides
- Digital temperature controller and display
- 4-tier rotating pizza rack with chrome-plated shelves
- Adjustable humidity and heat controls



Call for more info:
1-800-223-7750



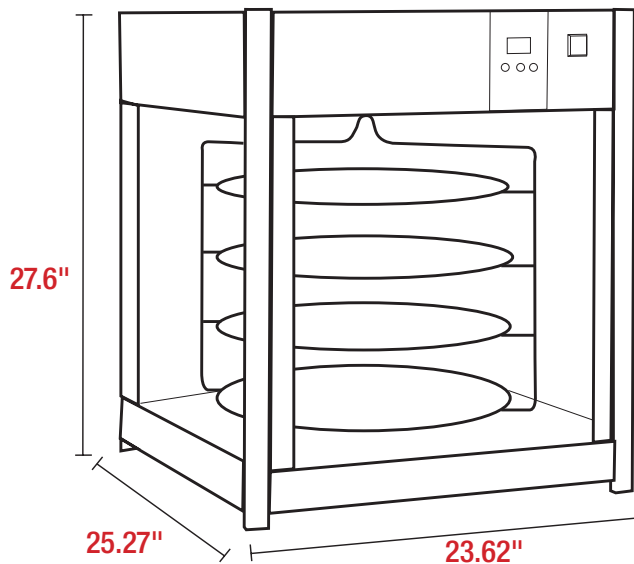
Admiral Craft
Equipment Corp.

800 Shames Drive, Westbury, NY 11590
PHONE 516-433-3535 | FAX 516-433-4453

admiralcraft.com

HDRP-158 • 158 Liter

ROTATING PIZZA DISPLAY



MODEL NUMBER	HDRP-158
Rated Input Power	1700W
Display Area (Cu.ft.)	5.6 Cu. Ft.
Capacity (L)	158 Liters
Voltage/Hertz/Phase	115/60/1
Amps	14.2
Net Weight (lbs)	70.5 lbs
Gross Weight (lbs)	77 lbs
Overall Dimensions (in)	23.62"L x 25.27"W x 27.6"H
Shipping Dimensions (in)	27.5"L x 27.5"W x 29.53"H
Temperature Range (°F)	86 – 194°F

For more information about this or any of our other products, go to admiralcraft.com. This item is listed on AutoQuotes. For full explanation of warranty coverage on this product, please refer to warranty page located in the owner's manual and warranty section at admiralcraft.com. Specifications subject to change without notice. Please confirm at time of order.

