

EASYDIAL REMOTE MOUNTED CONTROLS FOR HORIZONTAL GAS MIXER KETTLES

Project _____
 Item _____
 Quantity _____
 FCSI Section 11400 _____
 Approved _____
 Date _____

Models

- HASGCH
- HASGCHW (WALL MOUNT)



Short Form Specifications

Shall be Cleveland Model HASGCH(W), COOK CHILL CONTROL Center with single controls as follows; Solid State Temperature Control with Digital Read-Out; EasyDial Data Logger with USB Port; Controls for Automatic and Manual Water Cooling; Simmer Control; Automatic Water Meter with accumulative "add on" button and digital readout; Variable Mixer Speed Control and Mixer Start/Stop Button.

Standard Features - Single Controls

- Floor or wall mounting models (please specify)
- Variable mixer speed control
- Mixer start/stop button
- Solid state temperature control with digital read-out
- EasyDial Data Logger with USB Port;
- Control for automatic and manual steam
- Control for automatic and manual water cooling
- Simmer control for delicate products
- Automatic water meter with accumulative "add on" button and digital readout (for cold water only)
- All stainless steel construction
- U.L. Listed
- Accepted for use in U.S.D.A. Inspected Facilities

Models

- HADGCH. • HADGCHW (WALL MOUNT)



Short Form Specifications

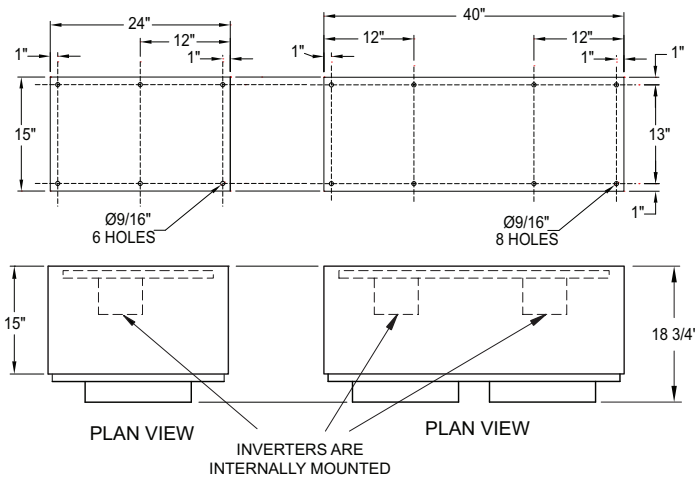
Shall be Cleveland Model HADGCH(W), COOK CHILL CONTROL CENTER with individual controls for each mixer kettle; Solid State Temperature Controls with digital read-out; EasyDial Data Loggers with USB Ports; Automatic and Manual Water Cooling; Simmer Controls; Automatic Water Meters with accumulative "add on" button and digital readout; Variable Mixer Speed Control and Mixer Start/Stop Button.

Standard Features - Dual Controls

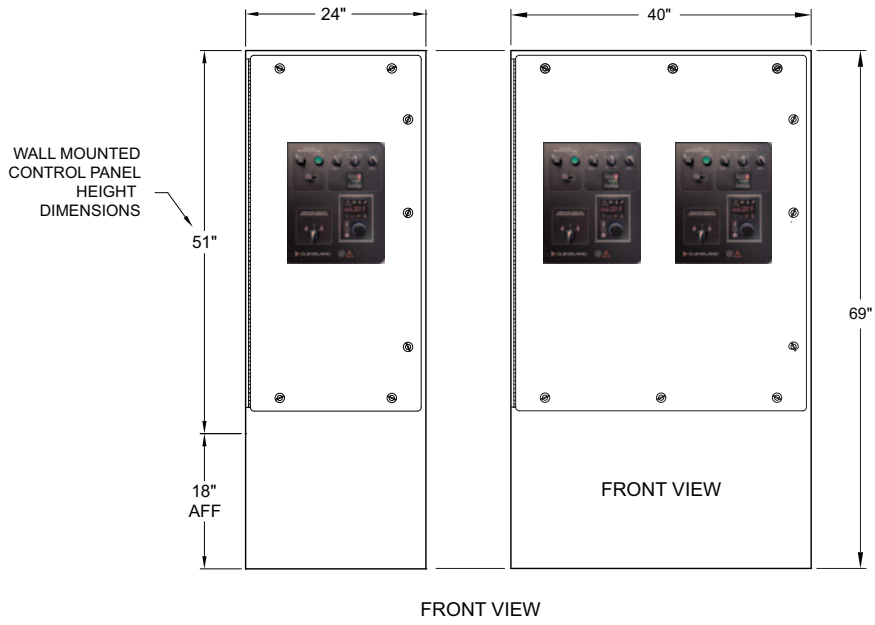
- Floor or wall mounting models (please specify)
- Individual controls for each kettle
- Variable mixer speed control
- Mixer start/stop button
- Solid state temperature controls with digital read-out
- Two (2) EasyDial data loggers with USB ports;
- Controls for automatic and manual steam
- Controls for automatic and manual water cooling
- Simmer controls for delicate products
- Two (2) automatic water meters with accumulative "add on" button and digital readout (for cold water only)
- All stainless steel construction
- U.L. Listed
- Accepted for use in U.S.D.A. Inspected Facilities

Options & Accessories - Single & Dual Controls

- Lockable cover(s) for controls
- Water meter(s) for hot and cold kettle fill
- 208/3/60; 240/3/60 and 460/3/60 voltages
- 380/3/50 or 575/3/60 export voltages



MINIMUM CLEARANCE	
FRONT	36"
SIDE	12"
REAR	0"



Model	Description	Electrical 208V3PH/60HZ	Shipping Weight (Approximate)	Crate Size W x L x H
Floor Models				
HASGCH	(Single Controls)	Amperage based on kettle size	650 lbs.	61" x 31" x 33"
HADGCH	(Dual Controls)	Amperage based on kettle size	800 lbs.	45" x 46" x 76"
Wall Mount Models:				
HASGCHW	(Single Controls)	Amperage based on kettle size	630 lbs.	61" x 31" x 33"
HADGCHW	(Dual Controls)	Amperage based on kettle size	750 lbs.	45" x 46" x 76"

- Notes:
- The depth and width dimensions are the same for both the floor mount and wall mount panels.
 - Electrical power to and from control panel -
 - Contractor must cut entry hole.
 - Top or bottom power entry recommended.
 - Must use proper connections to maintain U.L. listing.

Cleveland Range reserves right of design improvement or modification, as warranted.

(NOT TO SCALE)