

SC series

Precision Counting Scales

- 10 × 0.002 lb, 25 × 0.005 lb, and 50 × 0.01 lb Versions Available
- 1000 Item Unit Weight Memory
- Easy to Read VFD Displays
- Metric / Pound Convertible



ISO 9001 certified

CAS
S · C · A · L · E

SC series Precision Counting Scales

FEATURES

- 5 Digit Unit Weight for Precision Counting
- 1000 Item Memory with Tare Accumulation Feature
- High Internal Resolution(1/100,000)
- Easy to Read VFD Displays
- Stainless Steel Platter
- Auto Span Adjustment
- Auto Zero Tracking
- RS-232C Interface

SPECIFICATIONS

| Model | SC - 05P | SC - 10P | SC - 25P |
|------------------------|--|--------------------------|-------------------------|
| Weighing Capacity | 10×0.002 lb 5 kg×1 g | 25×0.005 lb 10 kg×2 g | 50×0.01 lb 25 kg×5 g |
| Internal Resolution | 1 / 100,000 | | |
| Display Digit | Weight / Count / Unit weight (5 / 5 / 5) | | |
| Display Designators | Zero, Tare, g, lb, Lacked Sample Lacked Unit Weight | | |
| Power Source | AC 120V, 60Hz | | |
| Power Consumption | Approx. 7W | | |
| Operating Temperature | -10°C ~ +40°C (14°F ~ 104°F) | | |
| Platter (inch / mm) | 14.6(W) × 10.9(D) / 372(W) × 278(D) | | |
| Dimensions (inch / mm) | 15.3(W) × 14.3(D) × 6.4(H) / 388(W) × 364(D) × 163(H) | | |
| Product Weight | 15.8 lb / 7.2 kg | | |

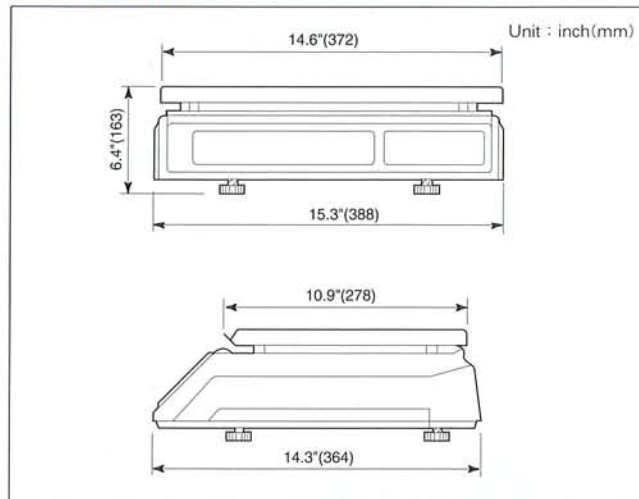
OPTIONS

- Wet Cover
- RS-232C Cable

DISPLAY & KEY BOARD



DIMENSIONS



CAS USA Corporation

NJ OFFICE

99 Murry Hill Parkway
East Rutherford, NJ 07073
(201) 933-9002 Phone
(201) 933-9025 Fax
<http://www.cas-usa.com>

CA OFFICE

1265 N. Manassero st, Suite 310
Anaheim, CA 92807
(714) 693-1936 Phone
(714) 693-9213 Fax