



Project:
Item Number:
Quantity:

AFFORDABLE PORTABLE™ REFRIGERATED COLD FOOD STATIONS



DESCRIPTION & FEATURES

- Constructed of vinyl-clad, 20-gauge carbon steel.
- Uses R513A, a non-flammable low Global Warming Potential (GWP) refrigerant
- Foamed-in-place polyurethane foam insulation.
- 1 (2.54 cm) drain makes clean-up easy.
- NSF2 buffet or NSF2 cafeteria style acrylic breath guard.
- Available in seven versatile colors.
- 18 gauge 300 Series stainless steel work surface.
- 8 ft. power cord.
- Locking casters.
- **Affordable Portable™ orders cannot be canceled or returned.**

Lighting Option

- Factory-installed option
- Requires Buffet breath guard
- 120V
- Bulbs not included

Affordable Portable™ Refrigerated Cold Food Station
 Shown with NSF2 Buffet Breath Guard

WARRANTY

All models shown come with Vollrath's standard warranty against defects in materials and workmanship. For full warranty details, please refer to www.Vollrath.com.

ITEMS

Description	Black	Walnut Woodgrain	Cherry Woodgrain	Granite	White	American Natural	Brushed Aluminum
3 Pan (46") NSF2 Buffet Breath Guard Cold Food Station – 120V							
Solid Base	R38713	R38950	R38773	R38733	R38733W	R38733N	R38733A
Solid Base w/ Lights	R3871346	R3895046	R3877346	R3873346	R3873346W	R3873346N	R3873346A
Open Storage Base	R38714	R38951	R38774	R38734	R38734W	R38734N	R38734A
Open Storage w/ Lights	R3871446	R3895146	R3877446	R3873446	R3873446W	R3873446N	R3873446A
Storage Base w/ Door	R38715	R38952	R38775	R38735	R38735W	R38735N	R38735A
Storage w/ Door, w/ Lights	R3871546	R3895246	R3877546	R3873546	R3873546W	R3873546N	R3873546A
3 Pan (46") NSF2 Cafeteria Breath Guard Cold Food Station – 120V							
Solid Base	R39713	R39950	R39773	R39733	R39733W	R39733N	R39733A
Open Storage Base	R39714	R39951	R39774	R39734	R39734W	R39734N	R39734A
Storage Base w/ Door	R39715	R39952	R39775	R39735	R39735W	R39735N	R39735A
4 Pan (60") NSF2 Buffet Breath Guard Cold Food Station – 120V							
Solid Base	R38716	R38960	R38776	R38736	R38736W	R38736N	R38736A
Solid Base w/ Lights	R3871660	R3896060	R3877660	R3873660	R3873660W	R3873660N	R3873660A
Open Storage Base	R38717	R38961	R38777	R38737	R38737W	R38737N	R38737A
Open Storage w/ Lights	R3871760	R3896160	R3877760	R3873760	R3873760W	R3873760N	R3873760A
Storage Base w/ Door	R38718	R38962	R38778	R38738	R38738W	R38738N	R38738A
Storage w/ Door, w/ Lights	R3871860	R3896260	R3877860	R3873860	R3873860W	R3873860N	R3873860A
4 Pan (60") NSF2 Cafeteria Breath Guard Cold Food Station – 120V							
Solid Base	R39716	R39959	R39776	R39736	R39736W	R39736N	R39736A
Open Storage Base	R39717	R39961	R39777	R39737	R39737W	R39737N	R39737A
Storage Base w/ Door	R39718	R39962	R39778	R39738	R39738W	R39738N	R39738A

Approvals	Date

Due to continued product improvement, please consult www.vollrath.com for current product specifications.



www.vollrath.com

The Vollrath Company, L.L.C.
 1236 North 18th Street
 Sheboygan, WI 53081-3201 U.S.A.
 Main Tel: 800.624.2051 or 920.457.4851
 Main Fax: 800.752.5620 or 920.459.6573
 Customer Service: 800.628.0830
 Canada Customer Service: 800.695.8560

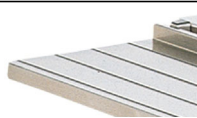
Technical Services
techservicereps@vollrathco.com
 Induction Products: 800.825.6036
 Countertop Warming Products: 800.354.1970
 All Other Products: 800.628.0832

AFFORDABLE PORTABLE™ REFRIGERATED COLD FOOD STATIONS

ACCESSORIES AND ADD-ONS

Tray Slides

- 39924 Fits 24" (61 cm)
- 39946 Fits 46" (117 cm)
- 39960 Fits 60" (152 cm)



- 300 Series stainless steel
- Fold-down mounting brackets
- 11" (27.9) tray area
- 11½" (29.2) depth
- Adds 5½" (14 cm) to depth in folded position
- Add NF in front of the item number for non-folding mode

Cutting Boards

- 39824 Fits 24" (61 cm)
- 39846 Fits 46" (117 cm)
- 39860 Fits 60" (152 cm)



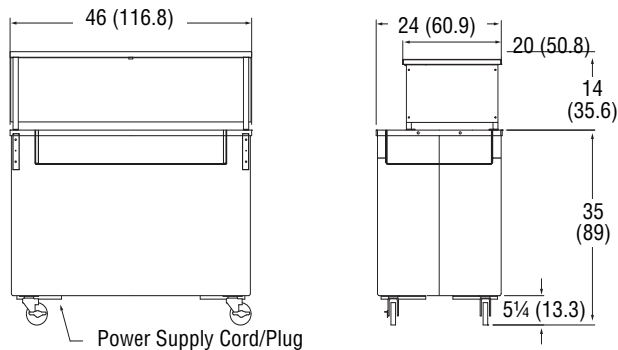
- Polyethylene
- Fold-down mounting brackets
- 7" (17.8 cm) depth
- Add 4" (10.2 cm) to depth in folded position

Infrared Lamp Bulbs

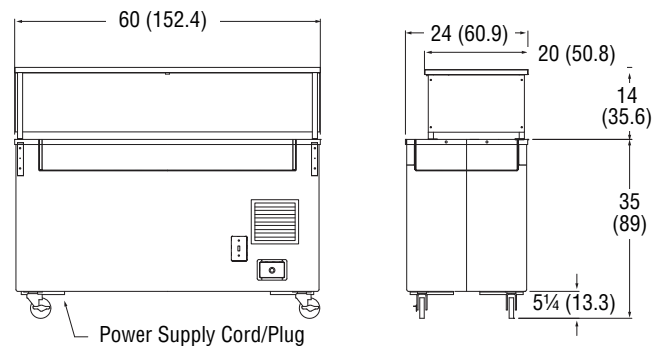
- 72242 White, 250W, 1 Dozen
- 72241 Red, 250W, 1 Dozen

DIMENSIONS (Shown in inches (cm))

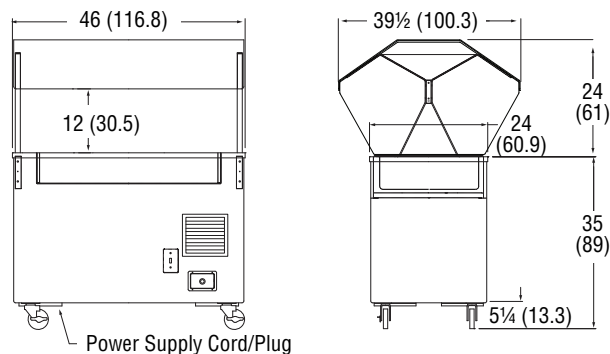
3 Pan Refrigerated Cold Station with NSF2 Cafeteria Breath Guard



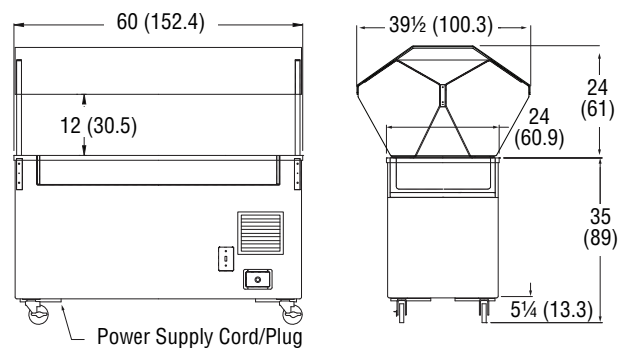
4 Pan Refrigerated Cold Station with NSF2 Cafeteria Breath Guard



3 Pan Refrigerated Cold Station with NSF2 Buffet Breath Guard



4 Pan Refrigerated Cold Station with NSF2 Buffet Breath Guard



3 Well Storage Opening: 24 x 23 x 16½ (61 x 58 x 42)

4 Well Storage Opening: 36 x 23 x 16½ (91.59/29/19 x 58 x 42)

Plate Rests

- 38992 Fits 24" (61 cm)
- 38993 Fits 46" (117 cm)
- 38994 Fits 60" (152 cm)



- Stainless steel
- Fold-down mounting brackets
- 7" (17.8 cm) depth
- Adds 4½" (11.4 cm) to depth in folded position
- Add NF in front of the item number for non-folding model

SPECIFICATIONS

Description	HP	Peak Heat of Rejection BTUH	Volts	Hz	Amps	Refrig. Charge	NEMA Plug
3 Pan	1/5	2800	120	60	3.5	7 oz.	5-15P
3 Pan w/ Lights*					4.1		
4 Pan	1/3	4800	120	60	7.8	7 oz.	5-15P
4 Pan w/ Lights*					9		

120V

NEMA 5-15R

*Incandescent lamps (40W maximum per fixture)



www.vollrath.com

The Vollrath Company, L.L.C.

1236 North 18th Street
 Sheboygan, WI 53081-3201 U.S.A.
 Main Tel: 800.624.2051 or 920.457.4851
 Main Fax: 800.752.5620 or 920.459.6573
 Customer Service: 800.628.0830
 Canada Customer Service: 800.695.8560

Technical Services

techservicereps@vollrathco.com
 Induction Products: 800.825.6036
 Countertop Warming Products: 800.354.1970
 All Other Products: 800.628.0832