

Project: _____

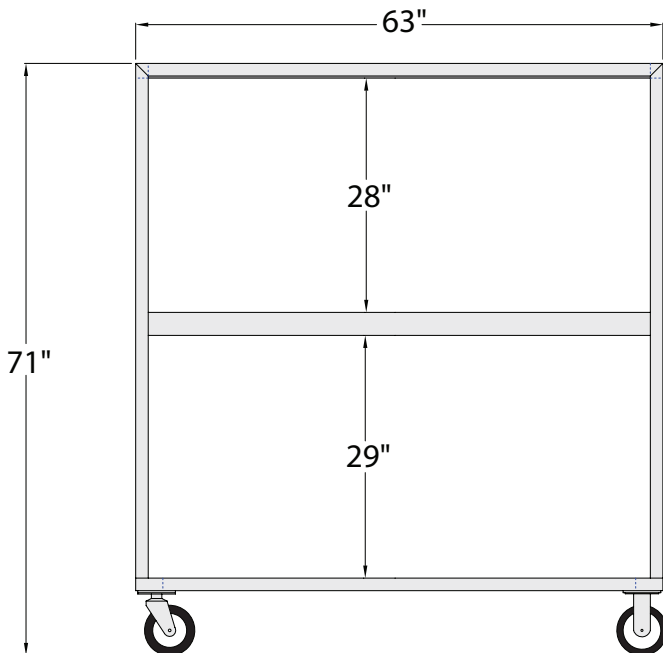
Item: _____

Quantity: _____

Boxed Beef Truck



1152



1152

Boxed Beef Trucks will transport or store large loads of beef, meat, stock, produce, and other heavy items. These mobile units are ideally used in walk-in coolers and freezers since the primary grade aluminum will not rust or corrode.

The 6" x 2" casters make it easy to maneuver from one area to another. The two swivel casters are great for steering while the two rigid ones ensure the cart stays in place when stopped. Simply roll the trucks to the delivery loading/unloading area and fill them up with boxes. Then, move them straight into a walk-in or prep area.

- Base has a perimeter frame of 1 1/2" x 2 3/4" x .070 wall extruded aluminum tube with 1 1/2" x 1 1/2" x .070" wall tube laterals.
- Uprights are 1 1/2" x 1 3/4" x .070 wall extruded aluminum tube with horizontal braces of 1 1/2" x 1 3/4" x .070 wall extruded tubing and welded securely to the base.
- Upper shelves consists of 1 1/2" x 3 1/8" x .070" wall aluminum tube and of 1 1/2" x 1 1/2" x .070" wall aluminum tube laterals.
- Equipped with four 6" x 2" plate type casters; two swivel and two rigid.
- Five-Year Guarantee against material defects and workmanship.
- Lifetime Guarantee against rust and corrosion.
- NSF Certified.

► Boxed Beef Truck

Model No	Size D-H-L	Number Of Shelves	Shelf Spacing	Ship Lbs.
1151	27" x 71" x 63"	2	29"	118
1152	27" x 71" x 63"	3	top= 28" bottom = 29"	123

Four 6" plate type casters; two swivel with brake, two rigid.

Options: Options may not be NSF Certified. Contact the factory.

- Corner Bumpers (4)** - Add "B" suffix to model #.
- Perimeter Bumper** - Add "PB" suffix to model #.
- Vertical Bumpers (4)** - Add "VB" suffix to model #.



New Age Industrial Corp., Inc. || NewAgeIndustrial.com || Made in the USA

PO Box 520 • 16788 US Hwy 36 • Norton, Kansas 67654 || Phone: (800) 255-0104 • (785) 877-5121 || Fax: (877)-877-7687 • (785) 877-2616

This information is for general sales and engineering use only. New Age Industrial reserves the right to modify or make changes at any time, without notice, to materials and specifications.