



A Division Of The Legacy Companies

Model U-20 & U-20-D

Planetary Mixer - 20 Quarts - Cart Mounted

Project Name:	
Location:	
Item:	Qty:
Model:	

STAND IS 24 IN. (610mm) HIGH, 23 IN. (585mm) WIDE, 31 IN. (790mm) DEEP.

THE PORTABLE MIXING STATION, AS ALL OTHER BLAKESLEE AUTOMATIC MIXERS, IS MANUFACTURED IN COMPLIANCE WITH NATIONAL SANITATION FOUNDATION STANDARDS.

SPEEDS	BEATER SPEED	AUX. DRIVE SPEED
1. LOW	102 RPM	57 RPM
2. MEDIUM	180 RPM	101 RPM
3. HIGH	354 RPM	197 RPM

AUTOMATIC TIMER (STANDARD)

TIMER TURNS OFF MIXER AT ANY PRE-SET TIME UP TO 15 MINUTES. CAN BE USED OR NOT AS DESIRED.

TRANSMISSION

Gear driven with choice of 3 selected speeds. Automotive type gears with special wide faces. Gears constantly in mesh . . . run in a special lubricant that fully seals in transmission. Heavy duty ball bearings and heavy duty clutch to assure trouble-free performance.

MOTOR and SWITCH

1/2 H.P. ball bearing, grease-packed, ventilated motor mounted in dripproof enclosure. Motor wired to flush mounted switch or optional timer.

MIXING BOWL

20-qt. capacity bowl is raised and lowered by means of convenient hand lever on side of Mixer. Bowl automatically locks in up and down positions. Adjustment for proper clearance between bowl and beater is provided through access panel at rear of column.

FINISH

Blakeslee-quality enamel finish over carefully applied undercoats. Deluxe model has a highly polished aluminum finish. Mixer stand of stainless steel.

STANDARD EQUIPMENT

20-qt. stainless steel bowl, 20-qt. "B" batter beater, 20-qt. stainless steel "W" wire whip and automatic timer. Flush mounted electrical switch and 6 foot cord and approved plug.

Enamel or Deluxe
Polished Aluminum Finish



PORTABLE MIXING STATIONS

This 20-Qt. (19 liters) Blakeslee Automatic Mixer is 3-speed gear driven with famous Blakeslee Planetary Action. It's finished in handsome, durable enamel or deluxe polished aluminum, mounted on a portable stainless steel stand with four large locking casters.

Wheel it where you need it . . . save bench and floor space, provide more flexibility in your operations. Complete portable 3-speed mixing station with stainless steel stand mounted on heavy-duty locking casters. Handy shelf for food chopper and slicer with attachments. Beaters and whips can be conveniently stored on pegs at rear of machine. This Unique Portable Mixing Station is a great plus—in any kitchen operation!

APPROXIMATE SHIPPING WEIGHTS

Domestic crated	265 lbs. (120 kg)
Export crated	313 lbs. (142 kg)
Export boxed	331 lbs. (150 kg)
Export cube	59.4 ft. (1.7 m ³)
L 44" (112 cm), W 37" (94 cm), H 63" (160 cm)	

AMPERAGE

120 V. 10 + 9.8 Amps
230 V. 10 + 4.9 Amps
230 V. 30 + 2 Amps

See back of this sheet for available beaters, whips and auxiliary attachments.



A Division Of The Legacy Companies

Model U-20 & U-20-D

Planetary Mixer - 20 Quarts - Cart Mounted

"H" DOUGH HOOKS for mixing bread and roll doughs of standard consistency. Available for use with 12, and 20 qt. 12 & 20 lit bowls.

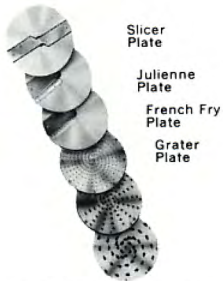
"PK" PASTRY KNIFE for cutting flour and shortening together (in pie doughs, patty shells, etc.) Available for use with 12 and 20 qt. 12 & 20 lit.

"B" BATTER BEATER for mashing potatoes, cake batter's creaming shortening and sugar. Available for use with all sizes of bowls. Included in standard equipment.

"W" WIRE WHIP for whipping cream, beating eggs, meringues, mayonnaise, etc. and for whipping milk or cream into mashed potatoes. Available for use with all sizes of bowls included in standard equipment.

"SD" SWEET DOUGH BEATER for mixing sweet yeast, doughs, mince meat, doughnuts confections, etc.

"M" 4-WING WHIP for marshmallow mayonnaise, heavy icings and for mashing potatoes.



Shredder plates available in 4 sizes:

- $\frac{3}{32}$ " 2 mm— fine
- $\frac{3}{16}$ " 5 mm— medium
- $\frac{3}{8}$ " 8 mm— coarse
- $\frac{1}{2}$ " 13 mm— extra coarse



9 - VEGETABLE SLICER WITH HOPPER FRONT. Standard slicer equipped with hopper front and adjustable slicer plate. All other attachments are extra equipment. Front is hinged for easy cleaning and quick changing of plates.



BOWL EXTENSION RING AND SPLASH COVER.



COLANDER AND SIEVE WITH PUREE BEATER for creamed soups and sauces. Sieves available with 1/8" or 1/32", 3 & 1 mm perforations.



FOOD AND MEAT CHOPPER is a very popular and widely used attachment. Plates available with 1/8", 3/16", 1/4", 3/8" or 1/2" 3, 5, 6, 9 & 13 mm perforations. Comes equipped with one knife and one 1/8" 3 mm plate.

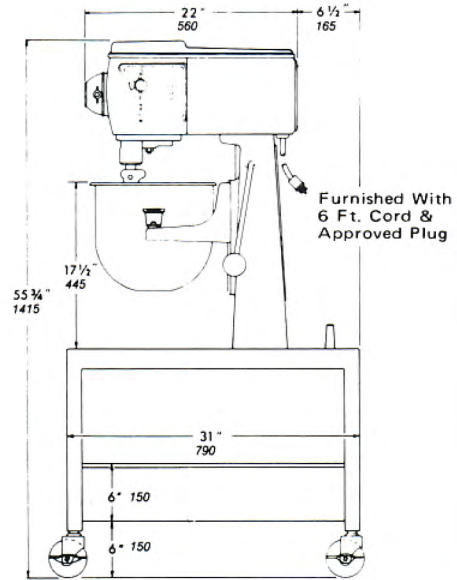
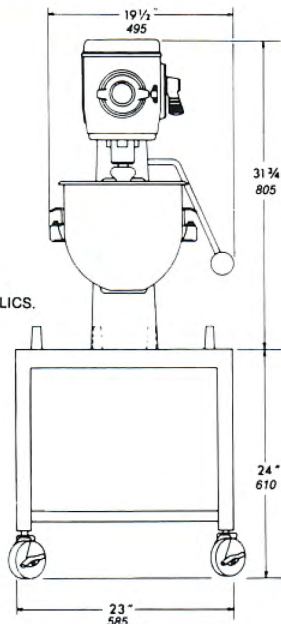
COMBINATION RECEIVING PAN BRACKET AND OVER-SHELF for receiving materials from vegetable slicer or meat chopper attachments. When not in use swings up to make a convenient over-shelf for bowl scrapers, ingredients, recipes, etc.



All Blakeslee mixers are designed to be in conformance with NSF, UL & CSA Standards.

METRIC DIMENSIONS IN MILLIMETERS ARE SHOWN IN ITALICS.

6-foot 1.8 m cord and plug furnished as part of standard equipment on 110-volt models. If a permanent connection is preferred, a tapped outlet is furnished for 1/2" 13 mm conduit. Minimum wire size recommended...No. 14 A.W.G.



Furnished With 6 Ft. Cord & Approved Plug

Specification subject to change without notice.