



Soda Dispenser Cabinet

EASYMOD™ Creations



Features:

- 96" Cabinet Base Work Table
- Cutout For Soda Dispenser (request exact size)
- Hand Wash Sink
- Urn Trough
- Legs Adjust 1" in Height
- 5" Riser

Material:

- T-304 14 ga. Stainless Steel Top
- T-304 18 ga. Stainless Steel Body
- Stainless Steel Legs & Feet

Options:

- Casters
- Adjustable Shelf

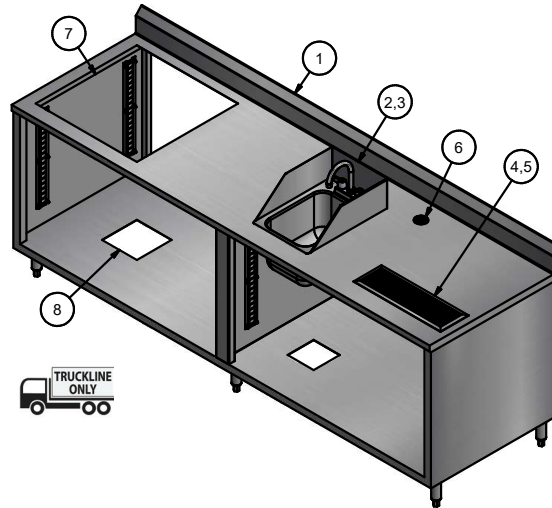


Part List

Item	Item #	Qty	Description
1	BKDCR5-3096	1	30" x 96" Cabinet Base Work Table w/ 5" Riser
2	DDI-10141024S-P-G	1	Drop-In Sink w/ Faucet & Side Splash
3	EM-3	2	Cutout & Install of Drop-In Sink
4	BK-URTR-18	1	18" Urn Trough
5	EM-5	1	Cutout & Install of Urn Trough
6	EM-19	1	Parts & Install of 2" Grommet
7	BK-SS1SQ-18	15 ft	1" x 1" Stainless Steel Support Tubing
8	EM-1	5	Cutout over 2"

Easy Mod Creations:

- Use these MOD's as a starting point or idea creator for your own creation
- Add or remove Easy Mods to design a convenience store table that suits your needs
- See part list for how this was made



Part Number	Unit Size (l x w x h)	Product Weight (lbs)
MOD-BTSD	30" x 96" x 39.75"	310.00

