



K00461

Multi-Mount External Scoop Holder



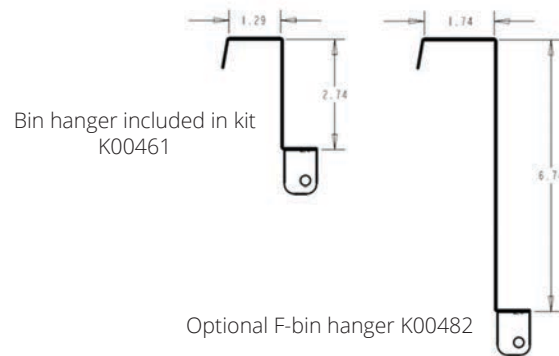
The multi-mount external scoop holder improves overall sanitation. With the addition of the holder, it makes daily operations much quicker and easier. Keep your scoop protected and never lose your scoop AGAIN!

For and assembly video visit manitowocice.com/video or the Maniowoc YouTube channel.

Standard Features

- NSF Approved. Commercial grade, metal frame with ABS plastic shield.
- Can be mounted 7 different ways (right or left side of bin, horizontal or vertical on bin, or on the wall either direction).
- Easy assemble. No tools required.
- Fits Maniowoc's new plastic and metal scoops. (plastic #000014199 and metal #000013960)
- Use on Maniowoc / Koolaire ice storage bins, any wall, or competitor bins.

Hanger Dimensions



Horizontal left entry wall mount



Horizontal right entry wall mount



Vertical wall mount



Horizontal left entry bin mount



Horizontal right entry bin mount



Vertical left side bin mount



Vertical right side bin mount

For Maniowoc F bins : order Hanger K00482 kit along with K00461 (available August 2018)

K00461 Multi-Mount External Scoop Holder