

PRESTIGE Signature Series Glass Rack Storage Units

25" and 30" Wide Units



Item #:	_____	Qty #:	_____
Model #:	_____		
Project #:	_____		



Open Top - PROR Series
PROR-24-24 Shown



Drainboard Top - PRCR Series
PRCR-19-24 Shown



Slanted Top - PRSR Series
PRSR-19-24 Shown

FEATURES:

Open, drainboard or slanted top styles available.
Provides storage for up to 3 glass racks.
Adjustable glass rack slides.
Stainless steel legs with stainless steel bullet feet.
7" backsplash.

PRCR series includes removable perforated drainboard top.
30" wide units have rear deck for extra storage.

MECHANICAL:

1" IPS drain on bottom
1" IPS drain on top (PRCR series only)

MATERIAL:

20 gauge, 300 stainless steel
Drainboard: 18 gauge, 300 stainless steel (PRCR Series)
Shelf: 18 gauge, 300 stainless steel (PROR & PRSR Series)
Legs: 1 5/8" O.D. 18 gauge, stainless steel with 1" adjustable stainless steel bullet feet

OPTIONAL:

SU-46 - Add stainless steel full extension roller slides
SU-47 - Add stainless steel drawer front (requires SU-46)

Model #	Storage Description	Glass Rack Capacity*	Overall Length	Overall Width (W)	Deck Size (A)	Approx. Weight	Approx. Cu. Ft.
PROR-19-24	Open Base	3	24"	25"	1 3/4"	50 lbs.	12
PROR-24-24	Open Base	3	24"	30"	6 3/4"	57 lbs.	12
PRCR-19-24	Enclosed Base	3	24"	25"	1 3/4"	80 lbs.	16
PRCR-24-24	Enclosed Base	3	24"	30"	6 3/4"	85 lbs.	17
PRSR-19-24	w/ Slanted Top	3	24"	25"	1 3/4"	50 lbs.	12
PRSR-24-24	w/ Slanted Top	3	24"	30"	6 3/4"	57 lbs.	12

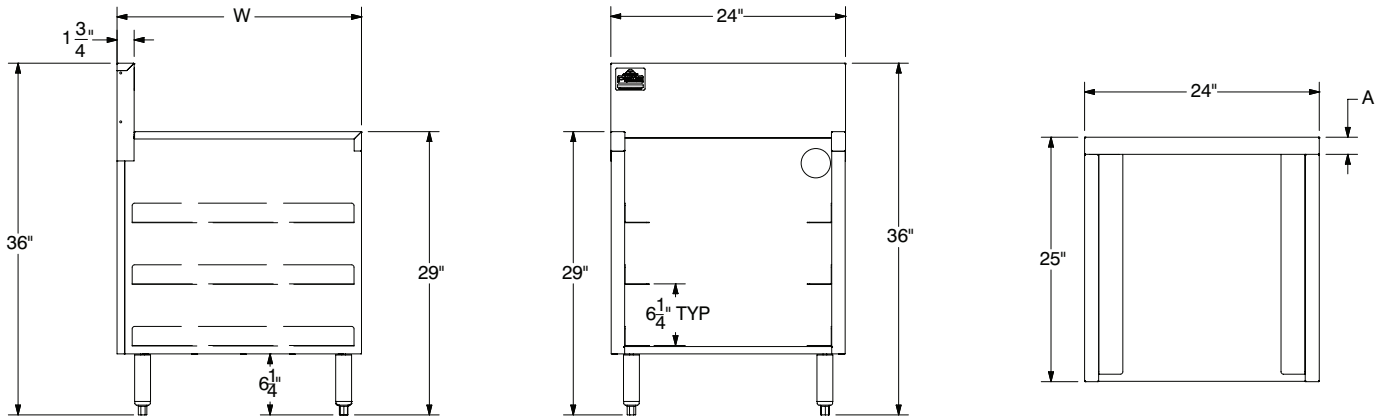
*Sizes Of Glass Racks Vary

DIMENSIONS and SPECIFICATIONS

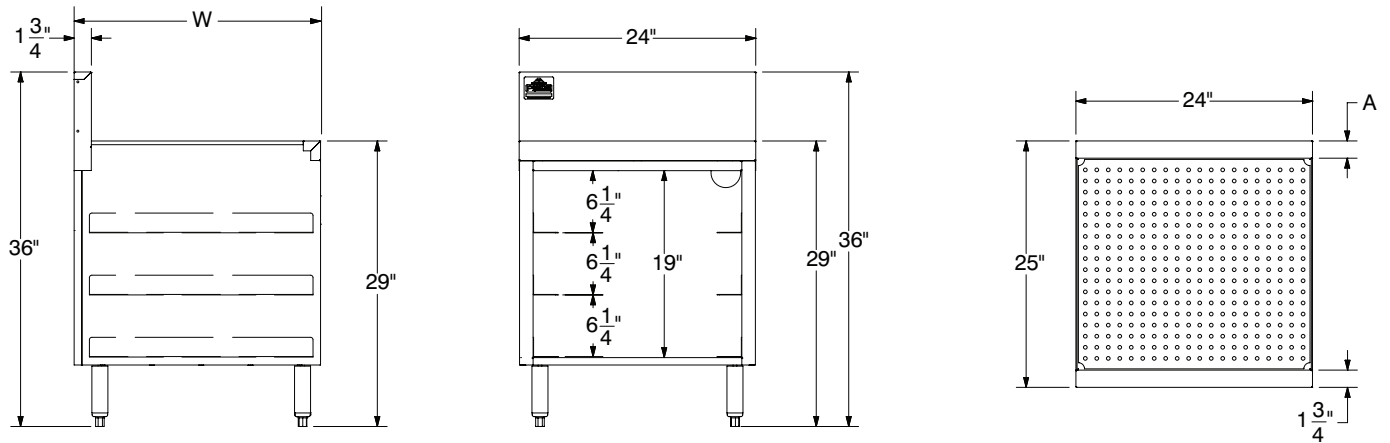
TOL Overall: ± .500" Interior: ± .250"

ALL DIMENSIONS ARE TYPICAL

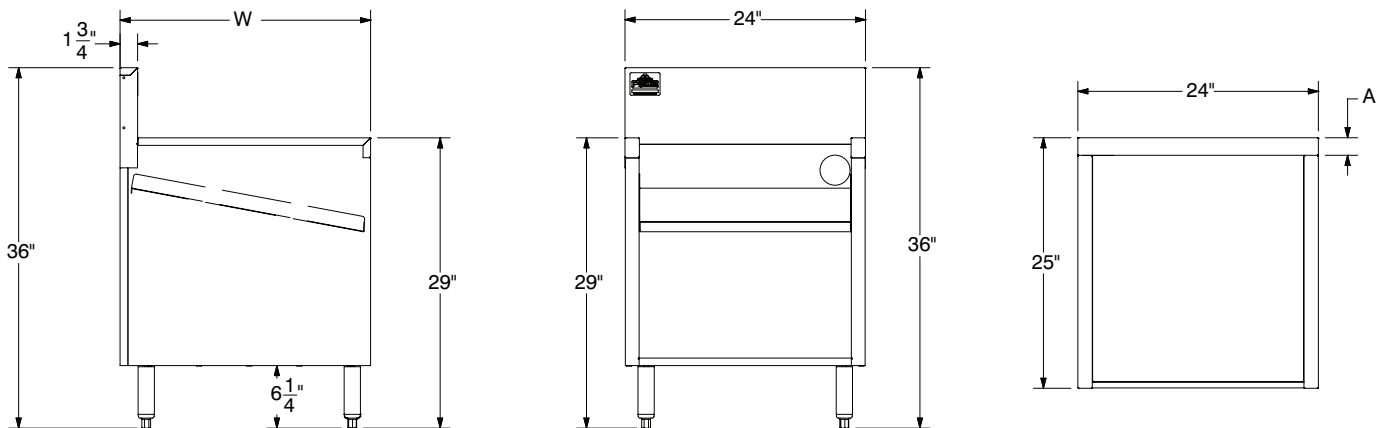
PROR Series



PRCR Series



PRSR Series



ADVANCE TABCO is constantly engaged in a program of improving our products. Therefore, we reserve the right to change specifications without prior notice.