



# STAINLESS STEEL MOBILE DRAWER CABINET

## FEATURES:

TOP is furnished with a 2" x 1" die embossed NO-DRIP countertop edge.

Fully enclosed drawer cabinet utilizes 20" x 20" x 5" or 20" x 15" x 5" Self closing **SHD Series Drawers** with Integral Draw Slides & stainless steel drawer inserts.

NSF approved.

**MDC-2020 & MDC-2015** working height facilitates storage under open base worktables.

Drawer locks (**TA-14-SHD**) available.

## CONSTRUCTION:

All TIG welded. Exposed weld areas polished to match adjacent surfaces.

Entire top is mechanically polished to a satin finish and is sound deadened.

Hat section secured to top reinforces and maintains level working surface.

## MATERIAL:

**TOP:** 16 gauge stainless steel type "304" series.

**CABINET BASE:** 18 gauge stainless steel type "430" series.

(4) 5" Swivel Polyurethane Bolt-on Casters, (2) with Brakes.

**Item #:** \_\_\_\_\_ **Qty #:** \_\_\_\_\_

**Model #:** \_\_\_\_\_

**Project #:** \_\_\_\_\_



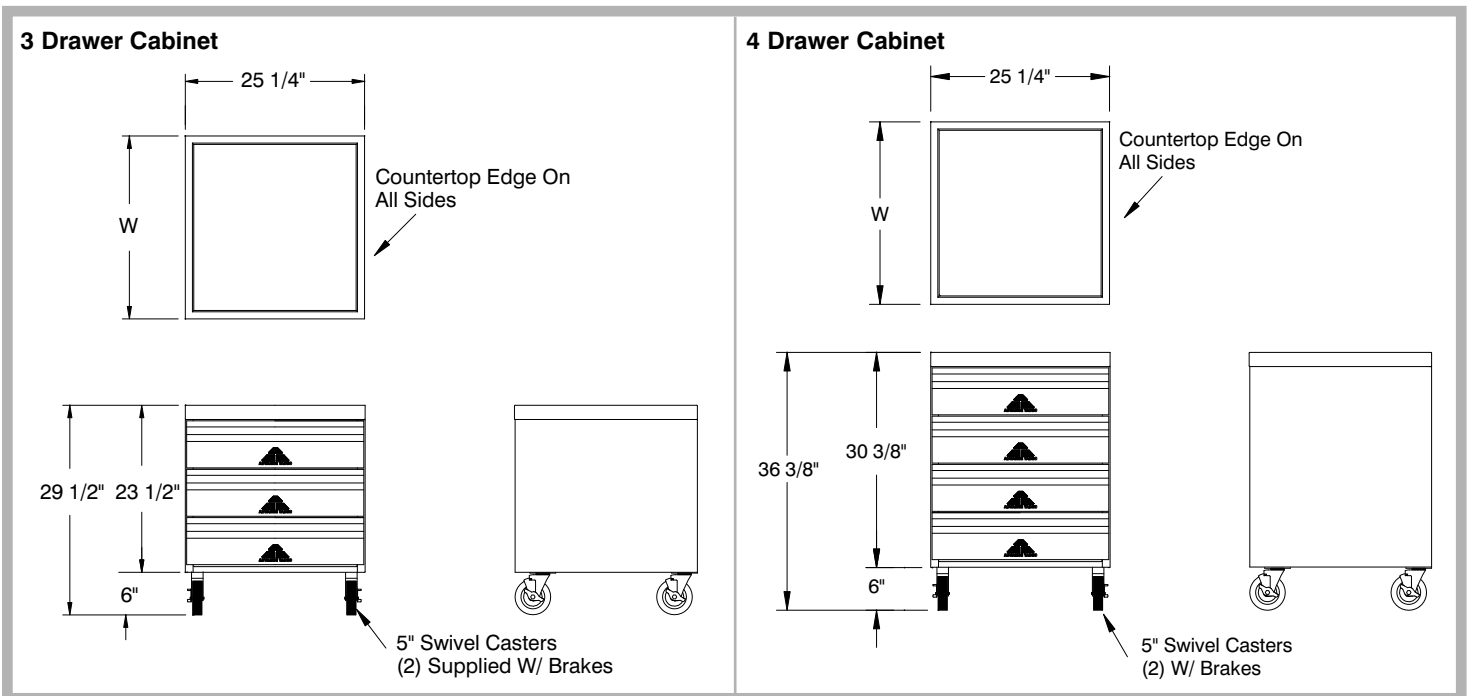
MDC-2020 Shown

MODEL #	Length	(W) Width	Height	# of Drawers	Drawer Size	Wt.
MDC-2020	25 1/4"	25 3/4"	29 1/2"	3	20" X 20"	145 lbs.
MDC-4-2020	25 1/4"	25 3/4"	36 3/8"	4	20" X 20"	175 lbs.
MDC-2015	25 1/4"	21 3/4"	29 1/2"	3	20" X 15"	135 lbs.
MDC-4-2015	25 1/4"	21 3/4"	36 3/8"	4	20" X 15"	165 lbs.

## DETAILS and SPECIFICATIONS

TOL ± .500"

ALL DIMENSIONS ARE TYPICAL



www.advancetabco.com

**Customer Service Available To Assist You 1-800-645-3166 8:30 am - 8:00 pm E.S.T.**

Email Orders To: [customer@advancetabco.com](mailto:customer@advancetabco.com). For Smart Fabrication™ Quotes, Email To: [smartfab@advancetabco.com](mailto:smartfab@advancetabco.com) or Fax To: 631-586-2933

**NEW YORK**  
Fax: (631) 242-6900

**GEORGIA**  
Fax: (770) 775-5625

**TEXAS**  
Fax: (972) 932-4795

**NEVADA**  
Fax: (775) 972-1578