



Model: 28-200 Item #: _____ Date: _____

Project: _____ Qty: _____ Approved By: _____

Caster Positioning Chock

Caster Accessories

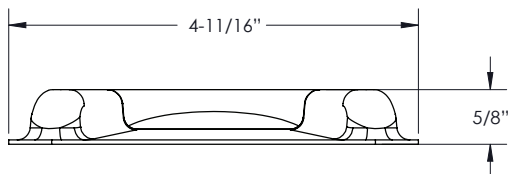
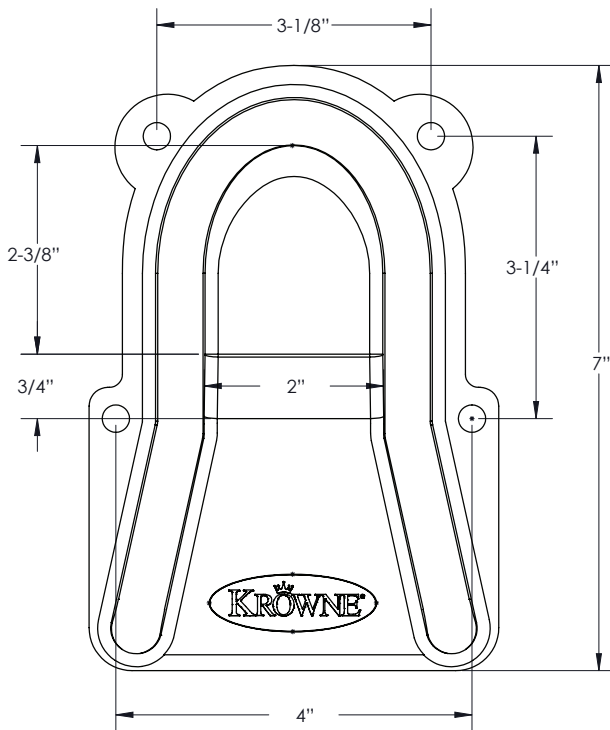


28-200

Krowne's Caster Positioning Chock is a caster placement system designed to create a home position for all movable kitchen equipment. Caster chocks allow for equipment to be returned to its appropriate location, in relation to fire suppression and ventilation systems, after the removal for cleaning and maintenance purposes.

Standard Features

- Can be used with all caster-mounted equipment
- Heavy duty stainless steel construction
- Easy installation
- Satisfies requirements of NFPA Codes 17A (5.6.4) and 96 (12.1.2.3)
- Includes (2) Stainless Steel Caster Positioning Chocks, (8) Hex Screws, (8) Drop In Anchors



Note that the chock is positioned so the kitchen appliance is stationed under the hood.

