



ST3000W Ice Cube Machine

ST3000W Ice Cube Machine

Models SDT3000W-263H SYT3000W-263H



ST3000 Ice Machine shown on a LB1760 Bin (ice machine and bin sold separately)

Standard Features

- Quadzilla™ Evaporator System- places four high-output individual evaporators in a compact 48" (121.92 cm) wide ice maker for up to 3200 lbs. (1451 kgs.) daily ice production.
- Ice machine is 48" W x 31" D x 36" H (121.92 x 78.74 x 91.44 cm).
- Select components made with AlphaSan® antimicrobial.
- Patented ice harvest technology reduces energy requirements.
- R410A CFC-free refrigerant (48% less global warming potential)

Warranty

- 5-year parts and 5-year labor coverage on ice machine evaporator.
- 5-year parts and 3-year labor coverage on ice machine compressor.
- 3-year parts-and-labor coverage on all other components.

Specifications

BTU Per Hour:
45,000 (average)
51,000 (peak)

Compressor:
Nominal rating: 5.0 HP

Cupra-Nickel Condenser:
Adds protection from corrosive water elements.

Operating Limits:

- Ambient Temperature Range: 40° to 110° F (4.4° to 43.3° C)
- Water Temperature Range: Potable Water: 40° to 90° F (4.4° to 32.2° C)
- Condenser: 35° to 110°F (1.67° to 43.3°C)
- Water Pressure Ice Maker Water In: Min. 20 psi (137.9 kPa) Max. 80 psi (551.1 kPa)
- Condenser Inlet Water In: Min. 20 psi (137.9 kPa) Max. 250 psi (1,034.2 kPa)

The ST3000 is equipped with high pressure valves that handles water pressure from minimum of 20 psi (137.9 kPa) to a maximum 350 psi (2413.2 kPa)

Ice Machine Electric

available in 208-230v/60Hz/ 3 phase

Minimum circuit ampacity:

30 amps

Maximum fuse size:

30 amps

HACR-type circuit breakers can be used in place of fuses.

Ice Shape



Half Dice
3/8" x 1 1/8" x 7/8"
(.95 x 2.86 x 2.22 cm)



Dice
7/8" x 7/8" x 7/8"
(2.22 x 2.22 x 2.22 cm)

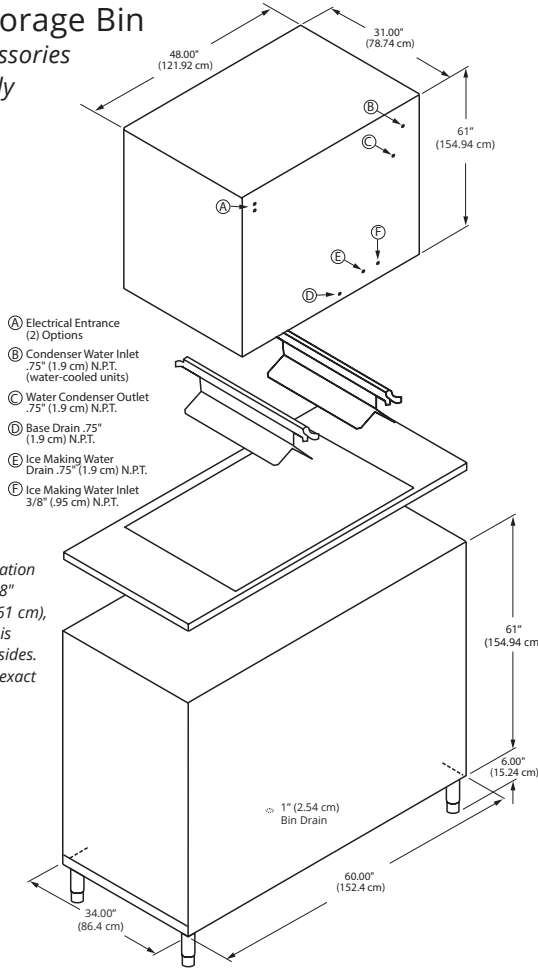




ST3000W Ice Cube Machine

**ST3000 on
LB1460 Storage Bin**
*Ice Bin & Accessories
Sold Separately*

**ICE
MACHINE
+
DEFLECTOR
(K00391)
+
ADAPTER
(KLB604800)
+
ICE BIN
LB1460
=
PACKAGE**



Installation Note
Recommended installation
clearance- Top/sides 8"
(20.3 cm), back: 24" (61 cm),
although 24" (61 cm) is
recommended on all sides.
Bin drain- located in exact
center of bin.

Space-Saving Designs



**ST3000
LB1760**
Height 103.00"
261.62 cm
Width 60.00"
152.4cm
Depth* 34.00"
86.36 cm
Bin 1693 lbs.
Storage 767.9 kgs.

Above height includes legs set at 6" (15.24 cm) adjustable to 7.13"(18.11 cm)

Application capacity based on 90% AHRI measured interior volume x 33 lb/ft3 density of ice.

(Ice machine and bin sold separately)

Required Deflectors and Adapters

K00396 deflected if used on LB1448
K00391 deflector for all 48" & 60" Wide LB-style bins
KLB604800 adapter for LB1460 & LB1760
KLB614800 adapter for LB1360 bin

Model	Ice Shape	Ice Production 24 Hours		Power kWh/100 lbs @ 90°Air/70°F	Water Usage/100 lbs. 45.4 kgs. of Ice	
		70°Air/50°F Water	90°Air/70°F Water		Potable Water Usage	Water-Cooled Condenser
SDT3000W*	dice	3000 lbs. 1361 kgs	2558 lbs 1160 kgs	3.69	21 gal 79 L	140 gal 530 L
SYT3000W*	half-dice	3200 lbs 1451 kgs	2584 lbs 1172 kgs	3.72	21 gal 78 L	140 gal 530 L.

Condenser Water Temperature	50°F 10°C	70°F 21°C	90°F 32°C
Water Temp. Out F°	100° to 110°		
Water Temp. Out C°	37.8° to 43.3°		

Manitowoc Ice reserves the right to make changes to the design or specifications without prior notice.