

## MOBILE SLICER TABLE WITH PARKING BRAKE

### STANDARD FEATURES

#### Mobile Equipment Stand with Parking Brake and Retractable Swivel Casters

- Optimal above floor height: 31.50". The table stands 31.5" high, offering a comfortable working height while maintaining an ergonomically friendly position for repetitive slicing.
- Stainless steel fully welded construction, 14-gauge, 304 stainless steel top, frame, tray slides, legs, base shelf and parking brake handle.
- Tabletop edge protectors, 1/4" high edges on all sides to prevent slicer from sliding off table.
- Creased base shelf with 3" center drain.
- Side lift arm for mobility, easily rotate stand in place for quick and easy cleanup in work area.
- Parking Brake function to lock stand in place to prevent front, rear, right and left movement during slicing.
- Support up to 800 pounds on leveling feet; 600 pounds on swivel casters.
- Low center to gravity for increased seismic stability.
- Four leveling, 5" diameter, high-friction pad feet.
- Front handle combined with 8" wide scrap-trough.
- Scrap tray (18"W x 26"D), standard.
- Winged Channel on left side holds 18" x 26" and 14" x 18" trays to provide convenient and efficient right to left preparation. (Optional, right winged channel).
- Six tray slides, 2.375" high fixed center spacing to front-load 18"x 26" sheet pan.
- Left corner, 1.25" hole to feed power cord through tabletop to keep surface clean.
- Four drilled holes to easily mount GSP slicer to table using bolt-on (4" leg-set kit: GSP 4H-LEGSET, additional).
- Serialized table for asset tracking.
- Two Year Warranty: On-site, labor and parts.
- Certified to NSF/ANSI Standard 2 and 169
- Country of Origin: Cleveland, Ohio USA



Slicer table shown with GSP HD 190 automatic slicer, GSP BBS-KADDY, sharpener kaddy, and sheet pan (all items sold separately).

### MODEL

#### ▪ Model: SLICER-TABLE-315

Mobile Model:

27.9 inches wide, 32.25" inches deep, 31.75" inches high, Includes side lift arm for mobility or to park, four high friction pad feet with hidden retractable casters, stainless steel top, frame, legs, and fixed stainless steel base shelf, 1/4 inch covered-upward edge all four sides of table-top, remote sharpener holder, weight 138 lbs. For use with all GSP series meat, cheese and food slicers including slicers with integrated portion scale, VS12D-V slicer and B100 bread slicer.



#### Model: SLICER-TABLE-315



BIM | CAD | MOBILE



REVIT



AutoQuotes

Model #: SLICER-TABLE-315

C.S.I. Division 11 | Section 4000

Project Name: \_\_\_\_\_ AIA # \_\_\_\_\_

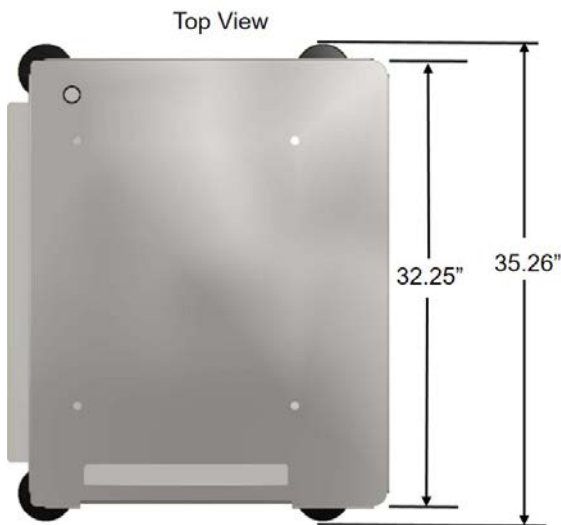
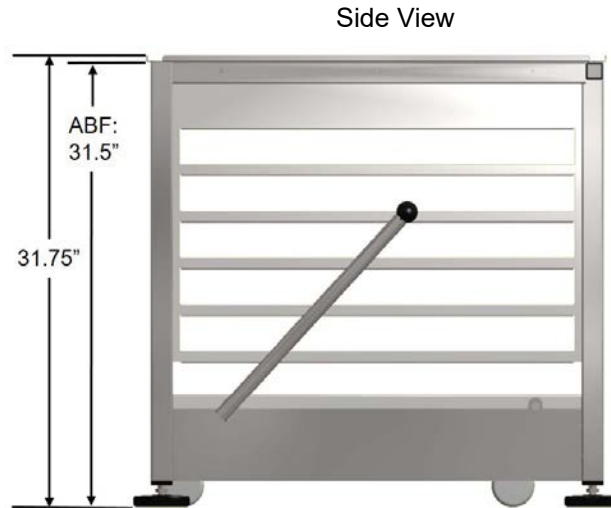
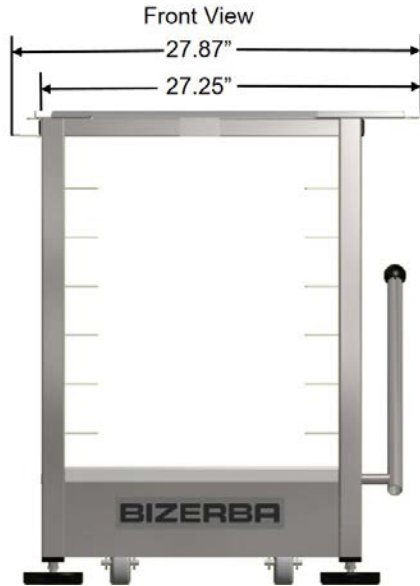
Location: \_\_\_\_\_ SIS # \_\_\_\_\_

Item Number: \_\_\_\_\_

Quantity: \_\_\_\_\_

# BIZERBA

## Dimensions: SLICER-TABLE-315



### Weight:

- Product Weight: 138 lb.
- Shipping Weight: 170 lb.

### Shipping Dimensions:

- 37"W x 57"D x 42"H

### Warranty

The SLICER-TABLE-315 carries a two-year, on-site parts and labor warranty against any flaws in materials and workmanship. This period begins with the date of purchase and, provided the unit is used properly in accordance with our instructions, is in full effect for one year from that date. Any work to be performed under this warranty must be performed between the hours of 8:00 a.m. and 4:30 p.m. local time, Monday to Friday. Bizerba will not pay over-time charges for work performed other than during normal business hours. Accessories have a 30-day replacement or repair warranty for the period beginning on the date of purchase. Damages incurred in transit or from installation error, accident, alteration or misuse are not covered. Transit damages should be reported to the carrier immediately. Bizerba shall not be liable for any consequential, compensatory, incidental, or special damages. All warranty work must be performed by a factory authorized Bizerba Representative.

BIZERBA USA 1st edition. Subject to change without notice. 08282019

Bizerba North America – Food Service Division  
1804 Fashion Court  
Joppa, MD 21085  
Sales Phone +1 732 565-6000  
Sales Email: US.FoodService@Bizerba.com

Technical Service: + 1 732-565-6001  
Technical Service Email:  
US.Service@Bizerba.com

Parts Sales: + 1 732-565-6001  
Parts Email: US.Parts@Bizerba.com  
www.bizerba-na.com



BIM | CAD | MOBILE



REVIT



AutoQuotes