



Profit from the Eagle Advantage®

Specification Sheet

Short Form Specifications

Eagle Panco® Universal Angle Rack, aluminum model _____ . Constructed of extruded aluminum with angular keyhole slots 2½" apart to accept slides. 1" x 2" reinforcing aluminum channel at middle of height, welded between uprights for added rigidity. Slides are extruded aluminum angle with shoulder rivet. Furnished with 5"-diameter casters. Shipped assembled.

Eagle Panco® Universal Angle Rack, stainless steel model _____ . Constructed with 16 gauge corner uprights with angular keyhole slots 2½" apart to accept slides. 14 gauge stainless steel top and bottom welded to uprights, with 14 gauge stainless steel 1" x 2" reinforcing channel welded between uprights for added rigidity. Slides are extruded aluminum with shoulder rivet. Furnished with 5" diameter casters. Shipped assembled.



model #UAR-64-A universal angle rack

Options / Accessories

- Casters with locking brakes
- Perimeter bumper
- Extra universal angle slides
- Pan stops
- Vertical corner bumpers

EAGLE GROUP

100 Industrial Boulevard, Clayton, DE 19938-8903 USA
 Phone: 302-653-3000 • 800-441-8440 • Fax: 302-653-2065
www.eaglegrp.com
www.eaglegrpnews.com
www.eaglemhc.com

For custom configuration or fabrication needs, contact our **SpecFAB® Division**.
 Phone: 302-653-3000 • Fax: 302-653-2065 • e-mail: quotes@eaglegrp.com

Item No.: _____
 Project No.: _____
 S.I.S. No.: _____

Panco® Universal Angle Racks

MODELS:

- UAR-64-A UAR-64-SR
- UAR-70-A UAR-70-SR

Features on aluminum models

- Corner uprights: 0.100" (3mm) extruded aluminum with angular keyhole slots 2½" (64mm) apart to accept slides.
- Top and bottom: 0.090" (2mm) aluminum, welded to corner uprights.
- Reinforcing channel: 1" x 2" (25 x 51mm) aluminum, at middle of height, welded between uprights for added rigidity.
- Slides: Extruded aluminum universal angle with shoulder rivet. Each pair will hold either one of the following:
 - one 18" x 26" (457 x 660mm) tray or pan;
 - one 15" x 20" (381 x 508mm) tray;
 - one 20" x 20" (508 x 508mm) cup or glass rack;
 - two 12" x 20" (305 x 508mm) pans;
 - two 14" x 18" (357 x 457mm) bussing boxes;
 - two 14" x 18" (357 x 457mm) pans (samples required).
 Slides are adjustable on 2½" (64mm) centers.
- Casters: 5" (127mm)-diameter NSF-approved, non-marking rubber tired wheels on swivel plate casters.
- Shipped assembled.

Features on stainless steel models*

- Corner uprights: 16 gauge stainless formed channeled shape, with angular keyhole slots 2½" (64mm) apart to accept slides.
- Top and bottom: 14 gauge stainless steel, welded to corner uprights.
- Reinforcing channel: 1" x 2" (25 x 51mm) 14 gauge stainless steel, at middle of height, welded between uprights for added rigidity.
- Slides*: Same as on the aluminum models (see above).
- Casters: 5" (127mm)-diameter NSF-approved, non-marking rubber tired wheels on swivel plate casters.
- Shipped assembled.

* All stainless steel units are supplied with standard extruded aluminum universal slides.

Certifications / Approvals



AutoQuotes



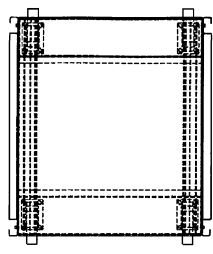
EG60.12 Rev. 08/23

Spec sheets available for viewing, printing or downloading from our online literature library at our websites

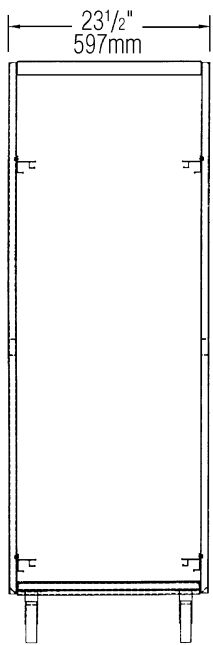


Item No.: _____
 Project No.: _____
 S.I.S. No.: _____

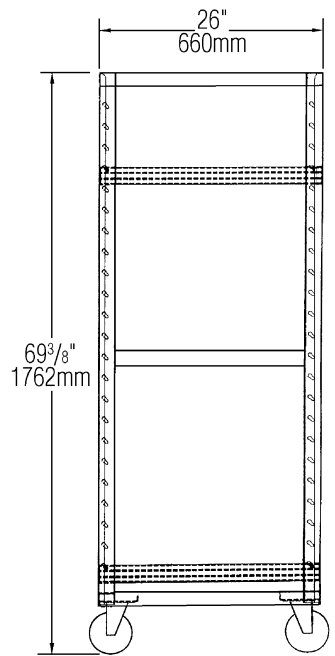
Panco® Universal Angle Racks



TOP VIEW



FRONT VIEW



SIDE VIEW

(model #UAR-70-A shown)

Aluminum Racks			Stainless Steel Racks			overall dimensions			sliding space		number of slides			
model #	weight		model #	weight		width	depth	height	in.	mm	slides			
	lbs.	kg		lbs.	kg	in.	mm	in.	mm					
UAR-64-A	127	57.6	UAR-64-SR	140	63.5	23 1/2"	597	26"	660	64 3/8"	1635	2 1/2"	64	11
UAR-70-A	135	61.2	UAR-70-SR	147	66.7	23 1/2"	597	26"	660	69 3/8"	1762	2 1/2"	64	13

EAGLE GROUP
 100 Industrial Boulevard, Clayton, DE 19938-8903 USA
 Phone: 302-653-3000 or 800-441-8440 • Fax: 302-653-2065
 www.eaglegrp.com • www.eaglegrpnews.com • www.eaglehmc.com

Printed in U.S.A.
 ©2023 by Eagle Group
 Rev. 08/23

Spec sheets available for viewing, printing or downloading from our online literature library at our websites

Although every attempt has been made to ensure the accuracy of the information provided, we cannot be held responsible for typographical or printing errors. Information and specifications are subject to change without notice. Please confirm at time of order.