



Project \_\_\_\_\_  
 AIA # \_\_\_\_\_ SIS # \_\_\_\_\_  
 Item # \_\_\_\_\_ Quantity \_\_\_\_\_ C.S.I. Section 114000



# HT SCALE WITH AUTO CUTTER AND LINERLESS CASSETTE



HT Counter Scale with Auto Cutter  
 and Linerless Cassette



## SPECIFIER STATEMENT

HT Scales include a dual-core processor and Linux operating system. HT Scales with auto cutter weigh, automatically compute a price from stored PLU's, and print and cut a label. The HT scale with auto cutter and linerless cassette dynamically sizes and cuts labels. The HT scales utilize Hobart's patented three screen swipe technology user interface for operator ease of use.


## MODELS

HTi Model	HTm Model	Feature
<input type="checkbox"/> HTi-LH5	<input type="checkbox"/> HTm-LH5	No GCD
<input type="checkbox"/> HTi-7LH5	<input type="checkbox"/> HTm-7LH5	7" GCD
<input type="checkbox"/> HTi-7ELH5	<input type="checkbox"/> HTm-7ELH5	7" Elevated GCD
<input type="checkbox"/> HTiP-LH5	N/A	Printer only, no GCD
<input type="checkbox"/> HTi-SSLS5	<input type="checkbox"/> HTm-SSLS5	Self Service
<input type="checkbox"/> HTi-SSLSB5	<input type="checkbox"/> HTm-SSLSB5	Self Service with Barcode Scanner

## STANDARD FEATURES

- + Linerless label cassette eliminates label backing paper, allows dynamic label sizing
- + Cassette label loading system allow fast and efficient change of label stock
- + Auto Cutter automatically cuts the label without operator intervention
- + Linux operating system and 32 GB of available storage
- + Video capability allowing independent videos on operator and customer screens
- + Intuitive and customizable graphical user interface
- + Built-in wireless and wired Ethernet
- + Swipe between three screens for operator ease of use
- + Search database by description, keyword, or PLU
- + Best seller keys by scale/department
- + Flash keys can be arranged by categories or groups
- + On-screen operator manual and tutorials
- + Operator, product, and/or recipe notes
- + On-screen alphanumeric keyboard and keypad
- + Ability to require operator login to track operator changes
- + COOL (country of origin labeling) can be created and modified on the scale
- + Label graphics visible in supervisor mode
- + Extensive scale back-up in supervisor mode
- + System can estimate number of available records to be added
- + Default values for four types of products: Fixed Weight, By Count, Random Weight, and Fluid Ounces
- + UPC, EAN 13, EAN 128 Barcodes and GS1 Data Bar
- + Meets federal labeling requirements
- + Remotely access the scale using Hobart HTe software

## SOFTWARE

- + Linux embedded operating system 
- + Interfaces with scale management software such as:
  - Invatron's PLUM
  - ADC's Interscale
  - Genesis Software
  - Data GateWeigh
  - HCT
  - Hobart HTe Software
    - Content management
    - Label editing
    - Remote updates

HT SCALE SERIES – HT Scale with Auto Cutter and Linerless Cassette

Approved by \_\_\_\_\_ Date \_\_\_\_\_ Approved by \_\_\_\_\_ Date \_\_\_\_\_



# HT SCALE WITH AUTO CUTTER AND LINERLESS CASSETTE

## TECHNICAL SPECIFICATIONS

- + 10.1" touch screen operator display – VSVGA TFT LCD, LED backlit, 5 wire resistive type
- + 7" standard customer display – WSVGA TFT LCD, LED backlit
- + 14" touch screen on self-service display
- + Dual-Core processor
- + 2 GB DDR3 RAM memory
- + 32 GB micro SD RAM standard
- + Both 802.3 10/100/1000 Mbps Ethernet and 802.11 a/b/g/n wireless out of box
- + HTm model also offers AC wireless
- + Bluetooth 2.1
- + High resolution thermal printhead for detailed graphics
- + Auto Cutter
- + Linerless label cassette
- + Accepted labels:
  - 2.25" width
  - Linerless label stock

## SPECIFICATIONS

**Platter:** 14" wide x 15" deep

**Weigher Capacity:**

0 lb. - 12 lb. x 0.005 (0 - 6 kg x .002 kg)

12 lb. - 30 lb. x 0.01 (0 - 15 kg x .005 kg)

**Pricing Capacity:** Up to 999.99 in steps of .01

**Electrical:** 100-240 volts, 50-60 Hz, single phase, 1.42 amps, 170 watts max. 9 foot standard cord cap with ground type plug furnished.

**Media Support:** MPEG4, AAC, AVC/H.264

**Weights and Measures Certification:**

+ USA Certification – 13-101

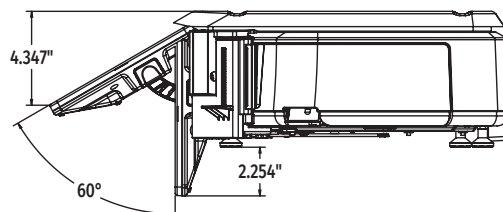
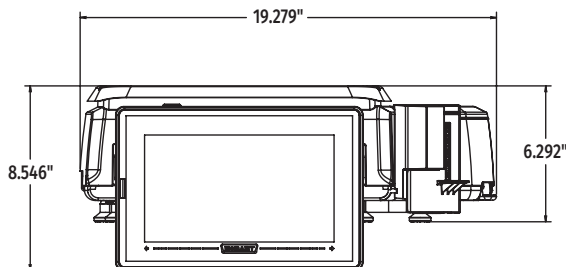
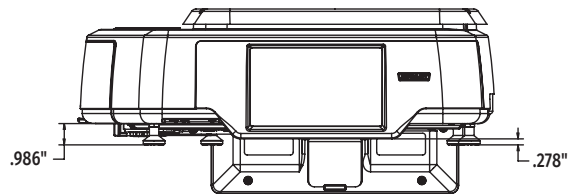
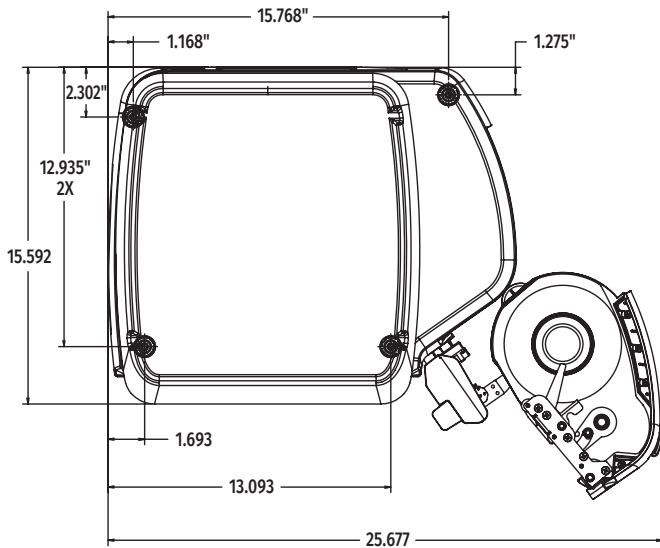
**Environment:** Operating temperature limits are 14°F (-10°C) to 104°F (40°C) ambient. Scale operates satisfactorily in relative humidity of 10 to 85%

**Certifications:** NTEP, UL Listed

**Shipping Weight:** 37 lbs.

**Shipping Weigh Self Service:** 53 lbs.

## DETAILS AND DIMENSIONS



As continued product improvement is a policy of Hobart, specifications are subject to change without notice.