

Blueair by
BLUENIX

MODEL BLMT28-D2-HC
**MEGA TOP SANDWICH
PREP TABLE DRAWER**



Stainless steel cabinet construction

Stainless steel interior and exterior (galvanized steel back & bottom).



Temperature range between 33°F ~ 39°F

Air guard on rear wall ensures proper air circulation and cooling.



Hydrocarbon refrigerants (R-290)

Increases energy HFC refrigerants. It is safer for the environment and does not cause ozone depletion.



Visual and audible door open alarm

Alarm sounds when doors are not completely closed to protect against food spoilage



Exterior Dimensions
(inches/mm)

| L | D | H |
|-----------|-----------|-----------|
| 27 11/16" | 37 21/64" | 44 11/64" |
| 703 mm | 948 mm | 1122 mm |

Weight
(lbs/kg)

| Net Weight | Ship Weight |
|------------------|-------------------|
| 187 lbs 85 kg | 229 lbs 104 kg |

Cabinet construction

- Cyclopentane Insulation – Contains no hydro-fluorocarbons (HFCs) and is environmentally friendly.
- Fans force cold air into this enclosed area keeping stored food items consistently cold
- Insulated pan cover with a stainless steel divider which prevents food spillage into the storage area beneath
- Side rail cutting board bracket with 9 1/2" deep, 1/2" thick cutting board included
- Epoxy coated wire shelves with adjustable shelving height.
- Four 4" Diameter swivel casters with front brakes standard.

Refrigeration

- Self-contained system, rear mounted compressor.
- Electrodeposition coated evaporator increases performance by maintaining the heat transfer rates over the life of the evaporator and reducing potential corrosion.
- Innovative hot gas frame heating system reduces condensation and increases energy.

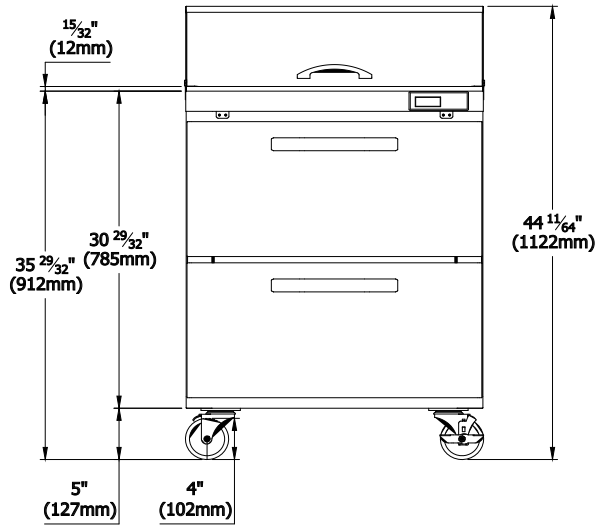


Conforms to NSF/ANSI 7(ETL)

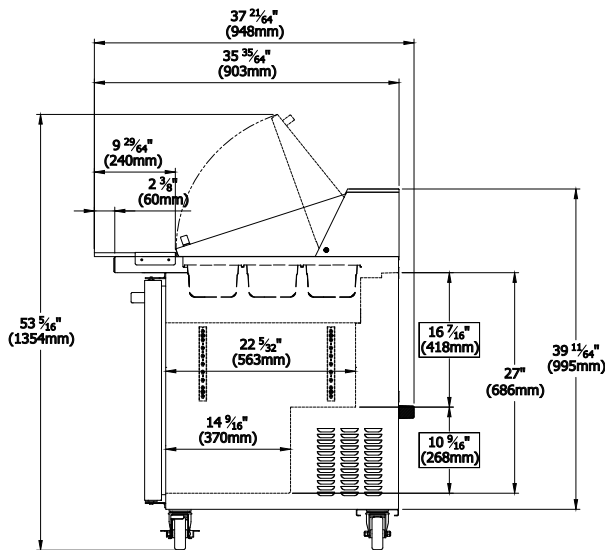


• This product may expose you to chemicals including Diisononyl Phthalate(DINP), which is known to the State of California to cause cancer. For more information go to www.P65Warnings.ca.gov.
• Ce produit peut vous exposer à des agents chimiques incluant le Diisononyl Phthalate(DINP), reconnu par l'Etat de Californie comme causant le cancer. Pour de plus amples renseignements, consulter le site www.P65Warnings.ca.gov.

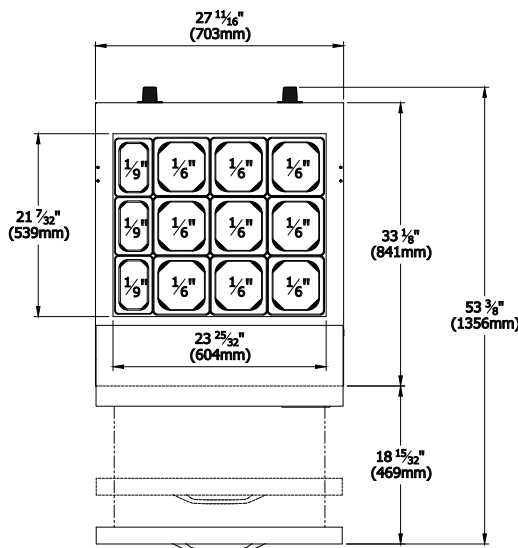
Front view



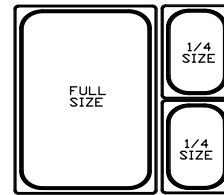
Side view



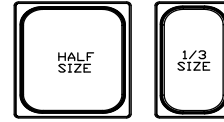
Top view



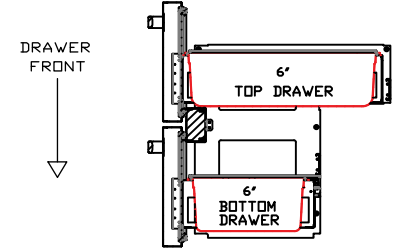
Pan Configuration



TOP DRAWER



BOTTOM DRAWER



Drawers accommodate 6 inch pans

Doors

- Self-closing doors (doors close at 90° or less)
- Durable door gasket with easy replacement.
- Lifetime guaranteed heavy duty all metal door handles. (Ni-Cr Plated)
- Door designed to open easily.

Design & Features

- Self-diagnostic digital temperature control & monitor system.
- Digital display allows for easy monitoring.
- Digital controls include automatic evaporator fan motor delay
- Rounded corner design gives a stylish appearance and reduces chances of injury.

Optional Features & Accessories

- 2.5" diameter casters available.
- Additional shelves are available.

| | |
|----------------------|--|
| Doors | N/A |
| Capacity Cu.Ft. | 7 |
| Drawers | 2 |
| Refrigerant | R-290 |
| Temperature Range | 33°F ~ 39°F |
| Easy Maintenance | Sliding Condensing Unit |
| Connection | 9.8 ft long (3m) flexible three wire cord with modeled plug |
| HP | 1/4 |
| Voltage | 115V/60Hz |
| Amps | 4.2 |
| NEMA Config. | NEMA 5-15 |

Blue Air has right to change specifications without further notice.



blueairfse.com



orders@blueairfse.com



1-886-677-8500



223 W. Rosecrans Ave., CA 90248
T: 310-808-0102

9 W. Shelton Terrace #A, Hillside, NJ 07205
T: 908-688-0970