



The Signature of Quality

**FEDERAL INDUSTRIES**

A Standex Company

215 Federal Avenue Belleville  
Wisconsin 53508-9201

**Phone:** 800-356-4206

**Fax:** 608-424-3234

**Email:** Geninfo@Federalind.com

**Website:** Federalind.com

Project Name: \_\_\_\_\_

AIA #

Item #: \_\_\_\_\_

Model #: \_\_\_\_\_ Qty: \_\_\_\_\_

SIS #

Approval: \_\_\_\_\_

**Italian Glass 34" Non-Refrigerated Display Case**

Designed for customers looking for rich, up-scale Italian styling for maximum visual appeal that will drive product sales.



Model ITD4834-B18  
Shown with options

MODEL	DIMENSIONS (Includes End Panels)
<input type="checkbox"/> ITD3634-B18	36 x 30.75 x 52 (in) 914 x 781 x 1321 (mm)
<input type="checkbox"/> ITD4834-B18	48 x 30.75 x 52 (in) 1219 x 781 x 1321 (mm)
<input type="checkbox"/> ITD6034-B18	60 x 30.75 x 52 (in) 1524 x 781 x 1321 (mm)

**STANDARD FEATURES**

**Model Features**

- Powder coated steel base construction with a choice of standard laminates
- Tempered thermo-pane glass construction
- Tilt-out front glass for easy cleaning
- Stainless steel interior
- Removable sliding glass rear doors
- Cord & Plug (6")
- Adjustable Leg levelers

**Shelving**

- Three tiers of adjustable tempered glass shelves are adjustable up and down and can be tilted in two positions ( 0°/ 5° angle).

**Lighting**

- 3500K LED top light and shelf lights
- DLC certified, IP66 rated

**Agency Approvals**

- UL and UL Sanitation Listed to NSF-2
- DOE 2017 Compliant.

**OPTIONAL ACCESSORIES**

- |   |  |
|---|--|
| <input type="checkbox"/> Premium exterior laminates                     | <input type="checkbox"/> Joining Kit for Continuous Line-Ups   |
| <input type="checkbox"/> Stainless Steel Exterior                       | <input type="checkbox"/> 4" (102mm) casters                    |
| <input type="checkbox"/> Stainless Steel Shelving                       | <input type="checkbox"/> Recessed casters                      |
| <input type="checkbox"/> All 17" Deep Stainless Steel or glass shelving | <input type="checkbox"/> 6" (152mm) legs with or without skirt |
| <input type="checkbox"/> Reflective Rear Doors                          | <input type="checkbox"/> Rear Package Shelf                    |
| <input type="checkbox"/> Reflective Ends                                |  |



**WARRANTY\***  
One year Parts and Labor  
2nd thru 5th year part only  
service compressor  
(U.S.A. and Canada)

**Note: Information is subject to change at any time. Visit [www.federalind.com](http://www.federalind.com) For the most current specs.**

AIA #  
SIS #

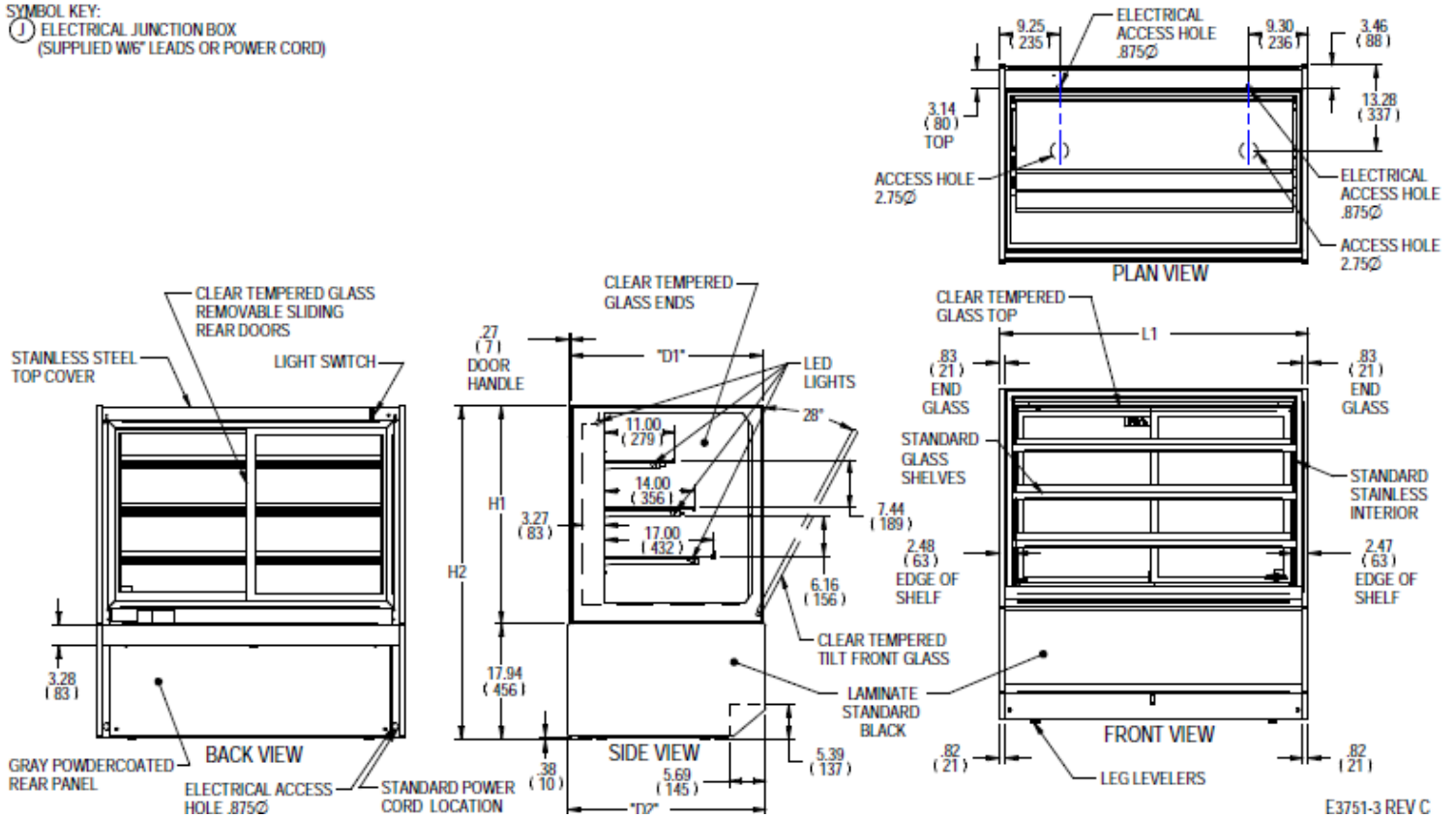
# Italian Glass 34" Non-Refrigerated Display Case

Product Specifications

Zone	Intended product to be displayed	Avg prod temp °F / °C
All	Non-refrigerated food products	N / A

DIMENSION: xx"/(mm)

SYMBOL KEY:  
① ELECTRICAL JUNCTION BOX (SUPPLIED W/6' LEADS OR POWER CORD)



E3751-3 REV C

DIMENSION TOLERANCE +/- 0.19 (4.8)

MODEL	DIMENSION					SHELVING				DISPLA Y AREA SQ IN	INTERIOR VOLUME CU FT	PERMANENT CONNECT		OPTIONAL NEMA	SHIP WEIGHT LBS KILO		
	L	D1	D2	H1	H2	# OF TIERS	DT	DM	DB			L	2-WIRE + GROUND			CORD & PLUG	
	in	in	in	in	in		in	in	in			in	120/60/1			2-WIRE + GROUND	
	mm	mm	mm	mm	mm		mm	mm	mm			mm	AMPS	MAX FUSE SIZE		120/60/1	
ITD3634-B18	36.00	30.00	30.75	34.00	52.00	3	11	14	17	30.88	1980 SQ IN	15.5	CU FT	1.5	15	NEMA 5-15P	575 LBS
	914	762	781	864	1321		279	356	432	784							261 KILO
ITD4834-B18	48.00	30.00	30.75	34.00	52.00	3	11	14	17	42.88	2720 SQ IN	21	CU FT	1.5	15	NEMA 5-15P	690 LBS
	1219	762	781	864	1321		279	356	432	1089							313 KILO
ITD6034-B18	60.00	30.00	30.75	34.00	52.00	3	11	14	17	54.88	3470 SQ IN	26	CU FT	1.5	15	NEMA 5-15P	800 LBS
	1524	762	781	864	1321		279	356	432	1394							363 KILO

• Due to continuing engineering improvements, specifications are subject to change without notice.



FEDERAL INDUSTRIES

A Standex Company

215 Federal Avenue Belleville, Wisconsin 53508-9201

Phone: 800-356-4206

Fax: 608-424-3234

Email: Geninfo@Federalind.com

Website: Federalind.com