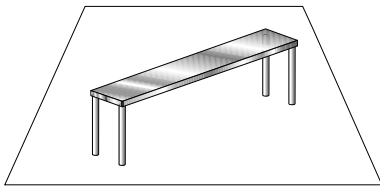




# FLEXIBLE WORKCENTERS

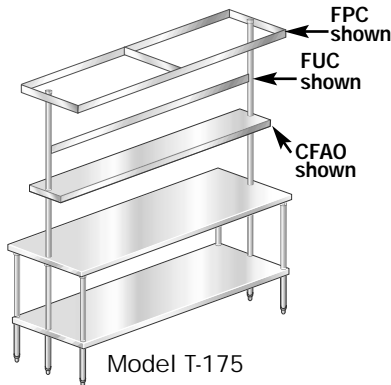
CFAO/RFAO/SFAO SERIES Flexible Overshelf



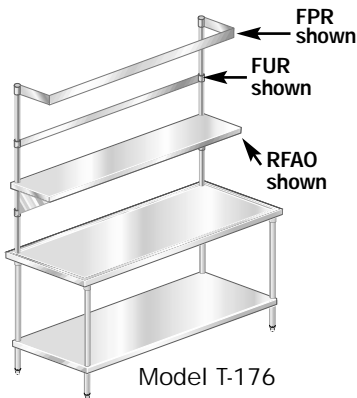
## DESIGN YOUR OWN WORK ENVIRONMENT!

- A. PICK YOUR WORKTABLE FROM SPEC SHEETS T-1A – T-22B
- B. CHOOSE YOUR MOUNT INSTALLATION FROM THE FOLLOWING LIST:
  - T-175 CENTER MOUNT INSTALLATION
  - T-176 REAR MOUNT INSTALLATION
  - T-177 SPLASH MOUNT INSTALLATION (AEROSPEC ONLY)
- C. CHOOSE YOUR OPTIONS FROM SHELVES AND ACCESSORIES

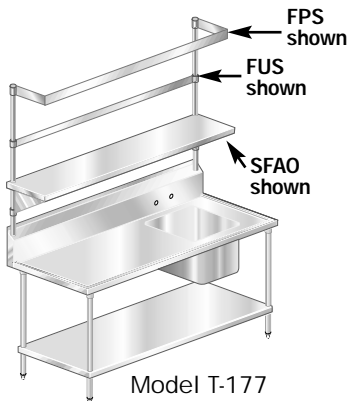
All Components Sold Separately



A Width	B Length	CENTER MT Model #	REAR MT Model #	SPLASH MT Model #	Ship Weight	Cubic Feet
<b>10" Width Adjustable Shelves</b>						
		<b>CENTER MOUNT MUST INCLUDE T-175</b>	<b>REAR MOUNT MUST INCLUDE T-176</b>	<b>SPLASH MOUNT MUST INCLUDE T-177</b>		
10	36	CFAO-1036	RFAO-1036	SFAO-1036	12	2
10	48	CFAO-1048	RFAO-1048	SFAO-1048	15	3
10	60	CFAO-1060	RFAO-1060	SFAO-1060	18	3
10	72	CFAO-1072	RFAO-1072	SFAO-1072	20	4
10	84	CFAO-1084	RFAO-1084	SFAO-1084	24	5
10	96	CFAO-1096	RFAO-1096	SFAO-1096	28	5
10	108	CFAO-10108	RFAO-10108	SFAO-10108	30	6
10	120	CFAO-10120	RFAO-10120	SFAO-10120	32	7
10	132	CFAO-10132	RFAO-10132	SFAO-10132	36	7
10	144	CFAO-10144	RFAO-10144	SFAO-10144	40	8



<b>12" Width Adjustable Shelves</b>						
		<b>CENTER MOUNT MUST INCLUDE T-175</b>	<b>REAR MOUNT MUST INCLUDE T-176</b>	<b>SPLASH MOUNT MUST INCLUDE T-177</b>		
12	36	CFAO-1236	RFAO-1236	SFAO-1236	12	2
12	48	CFAO-1248	RFAO-1248	SFAO-1248	15	3
12	60	CFAO-1260	RFAO-1260	SFAO-1260	18	3
12	72	CFAO-1272	RFAO-1272	SFAO-1272	20	4
12	84	CFAO-1284	RFAO-1284	SFAO-1284	24	5
12	96	CFAO-1296	RFAO-1296	SFAO-1296	28	5
12	108	CFAO-12108	RFAO-12108	SFAO-12108	30	6
12	120	CFAO-12120	RFAO-12120	SFAO-12120	32	7
12	132	CFAO-12132	RFAO-12132	SFAO-12132	36	7
12	144	CFAO-12144	RFAO-12144	SFAO-12144	40	8



<b>15" Width Adjustable Shelves</b>						
		<b>CENTER MOUNT MUST INCLUDE T-175</b>	<b>REAR MOUNT MUST INCLUDE T-176</b>	<b>SPLASH MOUNT MUST INCLUDE T-177</b>		
15	36	CFAO-1536	RFAO-1536	SFAO-1536	12	2
15	48	CFAO-1548	RFAO-1548	SFAO-1548	15	3
15	60	CFAO-1560	RFAO-1560	SFAO-1560	18	3
15	72	CFAO-1572	RFAO-1572	SFAO-1572	20	4
15	84	CFAO-1584	RFAO-1584	SFAO-1584	24	5
15	96	CFAO-1596	RFAO-1596	SFAO-1596	28	5
15	108	CFAO-15108	RFAO-15108	SFAO-15108	30	6
15	120	CFAO-15120	RFAO-15120	SFAO-15120	32	7
15	132	CFAO-15132	RFAO-15132	SFAO-15132	36	7
15	144	CFAO-15144	RFAO-15144	SFAO-15144	40	8

<b>18" Width Adjustable Shelves</b>						
		<b>CENTER MOUNT MUST INCLUDE T-175</b>	<b>REAR MOUNT MUST INCLUDE T-176</b>	<b>SPLASH MOUNT MUST INCLUDE T-177</b>		
18	36	CFAO-1836	RFAO-1836	SFAO-1536	12	2
18	48	CFAO-1848	RFAO-1848	SFAO-1548	15	3
18	60	CFAO-1860	RFAO-1860	SFAO-1560	18	3
18	72	CFAO-1872	RFAO-1872	SFAO-1572	20	4
18	84	CFAO-1884	RFAO-1884	SFAO-1584	24	5
18	96	CFAO-1896	RFAO-1896	SFAO-1596	28	5
18	108	CFAO-18108	RFAO-18108	SFAO-15108	30	6
18	120	CFAO-18120	RFAO-18120	SFAO-15120	32	7
18	132	CFAO-18132	RFAO-18132	SFAO-15132	36	7
18	144	CFAO-18144	RFAO-18144	SFAO-15144	40	8

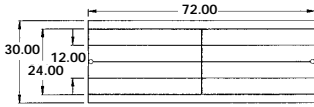
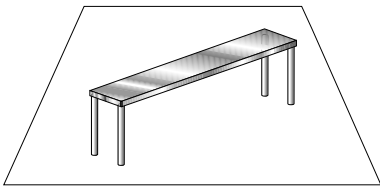
email - sales@aeromfg.com

AERO MANUFACTURING COMPANY • 310 ALLWOOD ROAD, CLIFTON, NEW JERSEY 07012 • VOICE 973.473.5300 FAX 973.473.3794

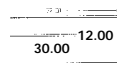
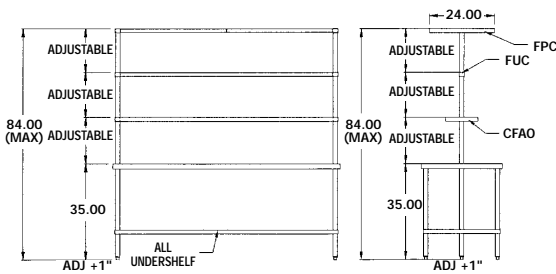


# FLEXIBLE WORKCENTERS

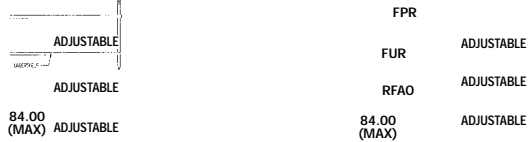
FPC/FPR/FPS/FUC/FUR/FUS SERIES Flexible Pot & Utensil Racks



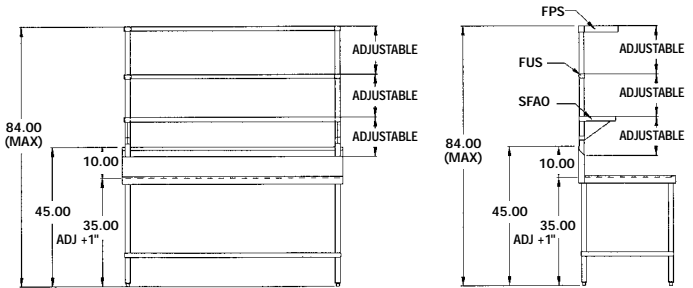
Model T-175



Model T-176



Model T-177



## FAO Series MATERIALS

- 16 gauge 304 stainless steel

## DESIGN FEATURES

- Shelf has 1/2" turn down on 4 sides with a 90 degree return.
- Easily assembled using 3/32" allen wrench.
- Shelf mounted into Aerolock extrusions for extra strength.

## EXCLUSIVE AERO SAFETY EDGE

- Shelves hemmed to eliminate cuts from rough edges.

## CONSTRUCTION

- Top is polished to a #4 mill finish.
- All overshelves shipped K.D.

## FP Series MATERIALS

- 304 stainless steel flat bar.
- Plated pot hooks (one hook per linear foot).

## DESIGN FEATURES

- All items fully cartoned.
- Fully welded—ready to use.
- Fully adjustable.
- Easily assembled.

## CONSTRUCTION

- Heliarc welded construction creates uniform, rock-solid unit.
- Stainless steel racks are polished to a #4 finish.
- Graycoat racks are painted with NSF listed grey enamel.

## FU Series MATERIALS

- 304 stainless steel flat bar.
- Plated pot hooks (one hook per linear foot).

## DESIGN FEATURES

- All Utensil Racks fully cartoned.
- Fully welded—ready to use.
- Fully adjustable.
- Easily assembled.

## CONSTRUCTION

- Heliarc welded construction creates uniform, rock-solid unit.
- Stainless steel racks are polished to a #4 finish.

Photos for Illustration purposes only  
All Components Sold Separately

Length	CENTER MOUNT MUST INCLUDE T-176 Model #	REAR MOUNT MUST INCLUDE T-175 Model #	SPLASH MOUNT MUST INCLUDE T-177 Model #	Ship Weight	Cubic Feet
--------	---	---------------------------------------	---	-------------	------------

## S/S POT RACKS

36	FPC-36	FPR-36	FPS-36	29	5
48	FPC-48	FPR-48	FPS-48	33	6
60	FPC-60	FPR-60	FPS-60	36	7
72	FPC-72	FPR-72	FPS-72	45	9
84	FPC-84	FPR-84	FPS-84	49	10
96	FPC-96	FPR-96	FPS-96	54	12
108	FPC-108	FPR-108	FPS-108	59	13
120	FPC-120	FPR-120	FPS-120	64	15
132	FPC-132	FPR-132	FPS-132	67	16
144	FPC-144	FPR-144	FPS-144	71	18

## S/S ADJUSTABLE UTENSIL RACKS

Length	CENTER MOUNT MUST INCLUDE T-176 Model #	REAR MOUNT MUST INCLUDE T-175 Model #	SPLASH MOUNT MUST INCLUDE T-177 Model #	Ship Weight	Cubic Feet
--------	---	---------------------------------------	---	-------------	------------

36	FUC-36	FUR-36	FUS-36	29	2
48	FUC-48	FUR-48	FUS-48	33	3
60	FUC-60	FUR-60	FUS-60	36	3
72	FUC-72	FUR-72	FUS-72	45	4
84	FUC-84	FUR-84	FUS-84	49	5
96	FUC-96	FUR-96	FUS-96	54	5
108	FUC-108	FUR-108	FUS-108	59	6
120	FUC-120	FUR-120	FUS-120	64	7
132	FUC-132	FUR-132	FUS-132	67	7
144	FUC-144	FUR-144	FUS-144	71	8

All dimensions are typical (tol. ±1/2"). • For Accessories and Options see pages TS-5A & TS-5B.

email - sales@aeromfg.com

AERO MANUFACTURING COMPANY • 310 ALLWOOD ROAD, CLIFTON, NEW JERSEY 07012 • VOICE 973473.5300 FAX 973.473.3794