

APPLICATION:

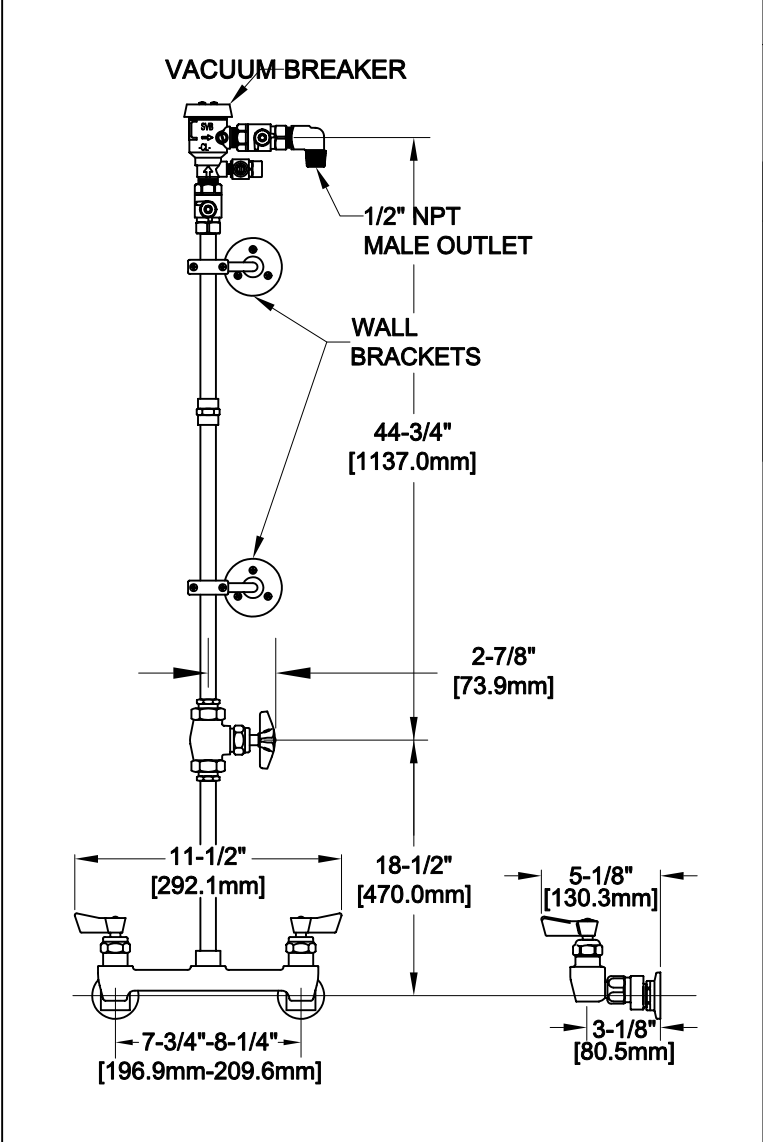
JOB NAME:

QUANTITY: ITEM NO.

PRODUCT NAME:
**WALL MOUNTED REEL RINSE
 INSTALLATION KIT**

SPECIAL CONFIGURATION
 CHECK BASE MODEL AND OPTIONS

MODEL:
 28231



OPTIONS OR MODIFICATIONS:

SUPPLY LINES (24" OR 36") CIRCLE LENGTH

HANDLES (CROSS OR WRIST) CIRCLE STYLE

OTHER _____

- FEATURES:**
- WALL CONTROL VALVE**
- * ECCENTRICS ADJUST FROM 7-1/2" TO 8-1/2"
 - * INTERNAL SPRING LOADED CHECK VALVES
 - * SWIVELING SEAT DISKS
 - * HOT SIDE STEM - RIGHT HAND
 - * COLD SIDE STEM - LEFT HAND
 - * STAINLESS STEEL SEATS
 - * STAINLESS STEEL SEAT SCREWS
 - * STAINLESS STEEL HANDLE SCREWS
- RISER CONTROL VALVE**
- * RIGHT HAND SWIVEL STEM WITH CROSS HANDLE
 - * STAINLESS STEEL SEAT
 - * STAINLESS STEEL SEAT SCREW
 - * STAINLESS STEEL HANDLE SCREW
- VACUUM BREAKER**
- * ANTI-SPILL DESIGN
 - * ASSE - 1056 APPROVED
- WALL BRACKET**
- * ADJUSTS FROM 2" TO 12"
- SYSTEM LIMITS**
- * TEMP: 40°F TO 140°F MAX.
 - * PRESSURE 200 PSI MAX. STATIC
- SHIPPING WEIGHT**
- * 15.0 LBS

ROUGH-IN:

