



# GAS

## SPEC SERIES | RADIANT BROILERS

# IMPERIAL



### IHR-RB-126

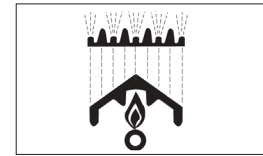
Shown with optional casters

Model Numbers

IHR-RB	IHR-RB-126
IHR-RB-M	IHR-RB-C



STAINLESS STEEL BURNERS WITH CAST-IRON RADIANTS.



BURNER HEATS RADIANT WHICH RADIATES HEAT TO THE GRATE AND FOOD ITEM.

## RADIANT BROILER

- Individually Controlled 15,000 BTU/hr (4KW) Stainless Steel burners
- Burners are located every 6" (152 mm) with individual controls
- Removable, Reinforced cast iron radiants preventing clogging of burners and provide even broiling
- Broiler liner is made from 12ga 304 stainless steel
- Heavy duty cast iron top grates provide attractive char-broiler markings
- 3" x 22" (76 x 559) sections remove easily and safely for cleaning
- Slanted cooking surface provides a range of cooking temperatures
- Full width grease gutter and large capacity removable drip pan
- Insulated throughout cooktop to conserve energy
- No tools are needed to remove grates, radiant cover and stainless-steel burners for cleaning
- Available in floor and countertop models

## EXTERIOR FEATURES

- Stainless steel front, sides, stub back, landing ledge and kick plate
- Welded and polished stainless-steel seams
- Enclosed front 1-1/4" (32 mm) manifold
- Common ledge and backguards are available as options for seamless, professional look
- Full width, removable crumb tray for easy cleaning
- 6" high (152 mm) 2 1/2" (64 mm) diameter heavy duty legs with adjustable feet
- One year parts and labor warranty

## CONVECTION OVEN

- 35,000 BTU/hr (1KW) Convection oven with 1/2 HP blower motor cooks products quickly and evenly with less shrinkage
- Electronic ignition system with Radiant solenoid valves
- Convection oven interior dimensions 26 1/2" W x 22 1/2" D x 14" H (673 x 572 x 356 mm)
- Three positions switch for cooking or cool down. Fan shuts off automatically when the door is open
- Porcelainized sides, rear, deck and inner door liner for easy cleaning. Stainless steel door gasket
- Burner "ON" indicator light and one hour electronic timer
- Three chrome oven racks are included.

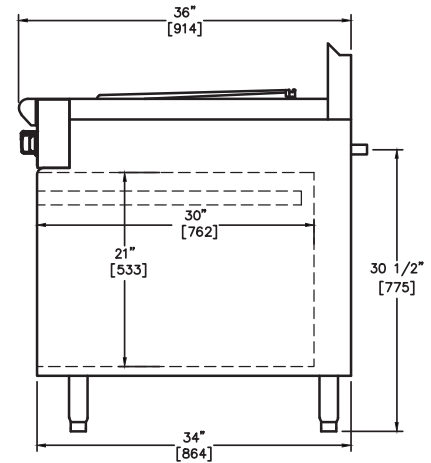
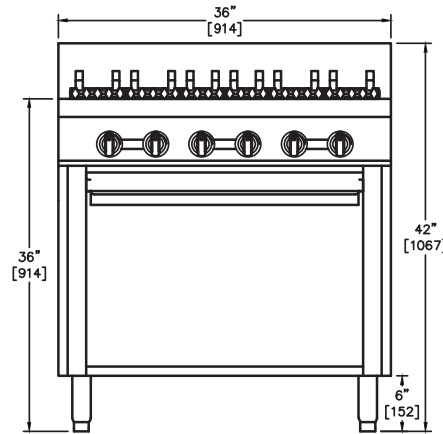
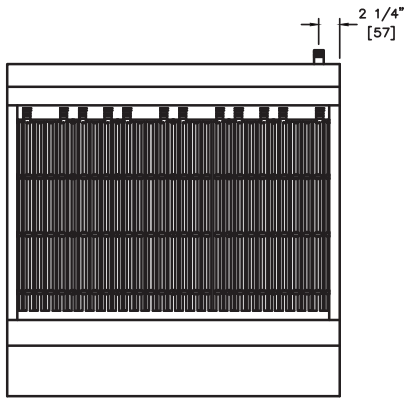
## STANDARD OVEN

- 40,000 BTU/hr (12KW) oven with 100% safety pilot and manual shut off valve
- Unique burner baffle distributes heat flow to provide even temperatures throughout the oven cavity
- Exclusive heat deflector reflects heat into the oven, not the floor
- Chef Depth interior is 26 1/2" W x 26" D x 14" H (673 x 660 x 356 mm) and accommodates 18" x 26" (457 x 660) sheet pans left-to-right and front-to-back
- Porcelainized sides, rear, deck and door lining for easy cleaning.
- Superior heavy-duty door hinge
- Side oven controls are protected in the cool zone
- One chrome oven rack is included.
- Optional stainless steel oven interior
- Optional high mass oven with cast iron oven interior and 650 degree thermostat

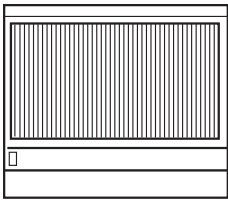


# GAS

## SPEC SERIES | RADIANT BROILERS



### 36" RADIANT CHAR-BROILERS



MODEL	GAS OUTPUT		COOKING SURFACE DIMENSIONS	SHIP WEIGHT	
	BTU	KW		KG	LBS
IHR-RB-XB	90,000	26	18" (457 MM)	347	765
IHR-RB-M	90,000	26	18" (457 MM)	375	825
IHR-RB-126	130,000	26	18" (457 MM)	375	825
IHR-RB-C	130,000	26	18" (457 MM)	375	825

MODEL	DIMENSIONS	CRATED DIMENSIONS
IHR-RB-XB	36" W X 38" D X 36" H* (914 X 965 X 914 MM)	39-1/2" W X 41" D X 35" H (1003 X 1041 X 889 MM)
IHR-RB-M	36" W X 38" D X 11" H* (914 X 965 X 279 MM)	39-1/2" W X 41" D X 17" H (1003 X 1041 X 432 MM)
IHR-RB-126	36" W X 39.5" D X 47" H* (914 X 1003 X 1194 MM)	39-1/2" W X 41" D X 35" H (1003 X 1041 X 889 MM)
IHR-RB-C	36" W X 38.5" D X 47" H* (914 X 978 X 1194 MM)	39-1/2" W X 41" D X 17" H (1003 X 1041 X 432 MM)

#### Notes:

"M" specifies Modular, Counter Top Model

"XB" specifies (1) Cabinet Base

Measurements in ( ) are metric equivalents.

### EXTERIOR

- Stainless steel front, sides, stub back, landing ledge and cabinet
- Welded and polished stainless steel seams
- Large 7" (178 mm) stainless steel landing ledge
- Control knobs are durable cast aluminum with a heat protection grip
- 6" (152 mm) heavy duty legs with adjustable feet
- One year parts and labor warranty

### OPTIONS AND ACCESSORIES

- Heavy duty stainless steel backguards
- Stainless steel common front landing ledge 54", 72", 90", 108" (1372, 1829, 2286, 2743 mm)
- Stainless steel interior and double doors on open cabinet base
- Stainless steel center shelf in open cabinet base
- 3/4" rear gas connection for single unit connection
- 1-1/4" rear gas connection batteries up to 600,000 BTU (176 KW)
- Gas shut off valve, 3/4" or 1-1/4", N.P.T.
- Gas pressure regulator, 3/4" or 1-1/4", N.P.T.
- Quick disconnect and flexible gas hose, 3/4" or 1-1/4", N.P.T.
- Stainless steel equipment stand for modular unit
- 6" (152 mm) casters for stainless steel stand

MANIFOLD PRESSURE		
NATURAL GAS	PROPANE GAS	MANIFOLD SIZE
5.0" W.C.	10.0" W.C.	3/4" (19 MM)

### CLEARANCE REQUIREMENTS

For use only on non-combustible floors. Legs or casters are required for non-combustible floors; or 2" (51 mm) overhang is required when curb mounted. Provide 0" clearance from non-combustible surfaces and 8" (203 mm) from combustible surfaces.

