



Profit from the Eagle Advantage®

# Specification Sheet

## Short Form Specifications

Eagle Spec-Bar® Permanent Speed Rail, model \_\_\_\_\_.  
Heavy gauge type 304 stainless steel construction, with ABS for sound deadening. Single or double units available.

Optional: Locking covers, for bottles up to 12 3/4" tall, include storage hangers when ordered with original single speed rails.



locking cover



single speed rail



double speed rail

## Options / Accessories

- Locking cover hanger

**EAGLE GROUP**  
100 Industrial Boulevard, Clayton, DE 19938-8903 USA  
Phone: 302-653-3000 • Fax: 302-653-2065  
www.eaglegrp.com

**Foodservice Division: Phone 800-441-8440**  
**MHC/Retail Display Divisions: Phone 800-637-5100**

For custom configuration or fabrication needs, contact our **SpecFAB® Division**.  
Phone: 302-653-3000 • Fax: 302-653-2065 • e-mail: quotes@eaglegrp.com

Item No.: \_\_\_\_\_  
Project No.: \_\_\_\_\_  
S.I.S. No.: \_\_\_\_\_

# Spec-Bar® Permanent Speed Rails and Locking Covers

## MODELS:

- SSR-\***
- SSRLC-\***
- DSR-\***
- DSRLC-\***

\* See charts on back for complete model numbers.

## Design and Construction Features

- Type 304 stainless steel construction for strength and corrosion resistance.
- Bottom and front rails are 20 gauge stainless steel.
- Sides are 14 gauge stainless steel.
- Designed with ABS sound deadening cover to soften sound.
- Locking covers available and include storage hangers when ordered with original single speed rails.
- Locking covers accommodate bottles up to 12 3/4" (314mm) high. Taller covers available upon request.
- Available in any length up to 84" (2134mm).



**AUTOQUOTES**



EG40.50 Rev. 07/15

**Spec sheets available for viewing, printing or downloading from our online literature library at [www.eaglegrp.com](http://www.eaglegrp.com)**

Eagle Foodservice Equipment, Eagle MHC, SpecFAB®, and Retail Display are divisions of Eagle Group. ©2015 by the Eagle Group

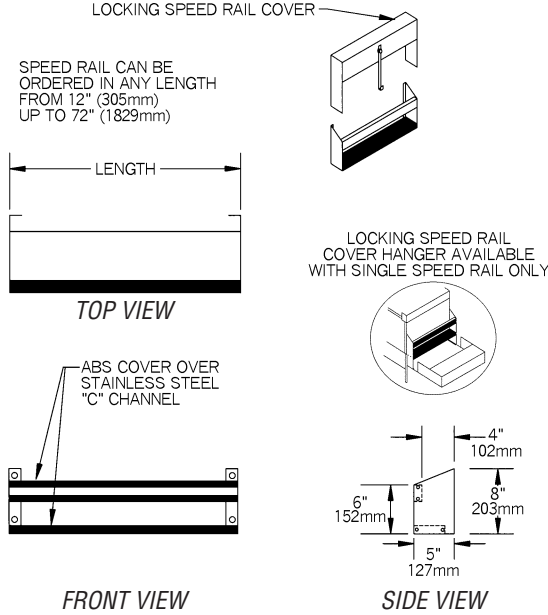


Profit from the Eagle Advantage®

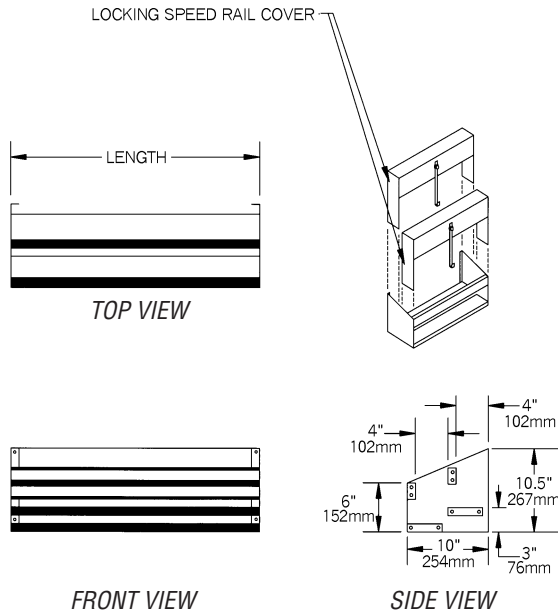
Item No.: \_\_\_\_\_  
 Project No.: \_\_\_\_\_  
 S.I.S. No.: \_\_\_\_\_

# Spec-Bar® Permanent Speed Rails and Locking Covers

## Single Speed Rails



## Double Speed Rails



### SSR- \* Single Speed Rails

model #	length		weight	
	in.	mm	lbs.	kg
SSR-12 to 17	12" to 17"	305 to 432	4	1.8
SSR-18 to 23	18" to 23"	457 to 584	6	2.7
SSR-24 to 29	24" to 29"	610 to 737	7	3.2
SSR-30 to 35	30" to 35"	762 to 889	10	4.5
SSR-36 to 41	36" to 41"	914 to 1041	12	5.4
SSR-42 to 47	42" to 47"	1067 to 1194	18	8.2
SSR-48 to 53	48" to 53"	1219 to 1346	22	10.0
SSR-54 to 59	54" to 59"	1372 to 1499	25	11.3
SSR-60 to 65	60" to 65"	1524 to 1651	28	12.7
SSR-66 to 71	66" to 71"	1676 to 1803	32	14.5
SSR-72 to 77	72" to 77"	1829 to 1956	35	15.9
SSR-78 to 83	78" to 83"	1981 to 2108	38	17.2
SSR-84	84"	2134	42	19.1

### DSR- \* Double Speed Rails

model #	length		weight	
	in.	mm	lbs.	kg
DSR-12 to 17	12" to 17"	305 to 432	8	3.6
DSR-18 to 23	18" to 23"	457 to 584	12	5.4
DSR-24 to 29	24" to 29"	610 to 737	14	6.4
DSR-30 to 35	30" to 35"	762 to 889	20	9.1
DSR-36 to 41	36" to 41"	914 to 1041	24	10.9
DSR-42 to 47	42" to 47"	1067 to 1194	36	16.3
DSR-48 to 53	48" to 53"	1219 to 1346	44	20.0
DSR-54 to 59	54" to 59"	1372 to 1499	50	22.7
DSR-60 to 65	60" to 65"	1524 to 1651	56	25.4
DSR-66 to 71	66" to 71"	1676 to 1803	64	29.0
DSR-72 to 77	72" to 77"	1829 to 1956	70	31.8
DSR-78 to 83	78" to 83"	1981 to 2108	76	34.5
DSR-84	84"	2134	84	38.1

### SSRLC- \* Locking Covers for Single Speed Rails

model #	length		weight	
	in.	mm	lbs.	kg
SSRLC-12 to 17	12" to 17"	305 to 432	15	6.8
SSRLC-18 to 23	18" to 23"	457 to 584	22	10.0
SSRLC-24 to 29	24" to 29"	610 to 737	28	12.7
SSRLC-30 to 35	30" to 35"	762 to 889	30	13.6
SSRLC-36 to 41	36" to 41"	914 to 1041	32	14.5
SSRLC-42	42"	1067	35	15.9

### DSRLC- \* Locking Covers for Double Speed Rails

model #	length		weight	
	in.	mm	lbs.	kg
DSRLC-12 to 17	12" to 17"	305 to 432	30	13.6
DSRLC-18 to 23	18" to 23"	457 to 584	44	20.0
DSRLC-24 to 29	24" to 29"	610 to 737	56	25.4
DSRLC-30 to 35	30" to 35"	762 to 889	60	27.2
DSRLC-36 to 41	36" to 41"	914 to 1041	64	29.0
DSRLC-42	42"	1067	70	31.8

\* Indicates desired speed rail length from 12" (305mm) to 84" (2134mm).

**EAGLE GROUP**  
 100 Industrial Boulevard, Clayton, DE 19938-8903 USA  
 Phone: 302-653-3000 • Fax: 302-653-2065  
 www.eaglegrp.com

Foodservice Division: Phone 800-441-8440  
 MHC/Retail Display Divisions: Phone 800-637-5100

Printed in U.S.A.  
 ©2015 by Eagle Group

Rev. 07/15

Spec sheets available for viewing, printing or downloading from our online literature library at [www.eaglegrp.com](http://www.eaglegrp.com)

Although every attempt has been made to ensure the accuracy of the information provided, we cannot be held responsible for typographical or printing errors. Information and specifications are subject to change without notice. Please confirm at time of order.