



14 GAUGE STAINLESS STEEL

FLOOR MOUNTED SERVICE SINK WITH TUBULAR LEGS & CROSS BRACING WITH/WITHOUT MANUAL FAUCET



Manual Operated Shown
(Faucet Not Included)



"-F" Series Sink Includes
K-159
Gooseneck Faucet

Item #: _____ Qty #: _____

Model #: _____

Project #: _____



FEATURES:

- 8 1/2" high backsplash.
- 12" sink bowl depth.
- One stainless steel "Z" bracket supplied each unit.
- One stainless steel "Z" bracket.
- One K-6 3 1/2" rear basket drain.
- Tubular stainless steel legs with flanged feet.
- Side & rear adjustable cross-bracing with leg clamps.
- Manual Operated:** Faucets sold separately.
- "-F" Series** includes one K-159 3 1/2" gooseneck faucet.

CONSTRUCTION:

- All TIG welded.
- Welded areas blended to match adjacent surfaces and to a satin finish.

MATERIAL:

- All 14 gauge type "304" stainless steel.
- 1 5/8" tubular "304" stainless steel wall brackets.
- Stainless steel gussets.

MECHANICAL:

- 8" O.C. faucet holes punched at each station.

| Model # | L | W | # of Faucets Sink Accommodates | # of Faucets Included | Wt. lbs. | Cu. Ft. |
|--------------|-----|-----|--------------------------------|------------------------------------|----------|---------|
| FS-FM-3119 | 31" | 23" | 1 | 0 (Faucets <u>Not</u> Included) | 80 lbs. | 13 |
| FS-FM-3119-F | 31" | 23" | 1 | 1 (K-159 Faucet Included) | 82 lbs. | 13 |

[Click Here For Install Guide](#)



MULTI-STATION ACCESSORIES & REPLACEMENT PARTS

| Model | Description | QTY: |
|----------|---|-------|
| K-6 | 3 1/2" Drain (1 1/2" I.P.S.) | _____ |
| K-13 | Stainless Steel Soap Dispenser (Wall Mount Only) | _____ |
| K-06 | Splash Mount Faucet Mounting Kit | _____ |
| K-101 | 8" Swing Spout Splash Mt. Faucet | _____ |
| K-159 | Splash Mounted 3-1/2" Gooseneck Faucet (8" O.C.) | _____ |
| K-160 | Splash Mounted 6" Swivel Spout Faucet (8" O.C.) | _____ |
| K-410 | Strainer Plate for 3-1/2" Drain | _____ |
| K-1118 | Extra H.D. 8" Splash Mounted Faucet | _____ |
| K-316-LU | Wrist Handles | _____ |
| K-472 | Faucet Hole Revision (Manual Faucet Operated Sinks Only) | _____ |
| K-508 | Special Sizing Charge (Larger Size Cut Down To Smaller Size) | _____ |
| TA-19 | Adjustable Stainless Steel Flanged Bullet Foot | _____ |



= Ships UPS

Standard Faucets conform to NSF 61 Standard 9 and compliance to AB 1953 Standards.

WARNING: Equipment that include faucets on this page may contain a chemical known to the State of California to cause cancer, birth defects or other reproductive harm.



Customer Service Available To Assist You 1-800-645-3166 8:30 am - 7:00 pm E.S.T.

For Orders & Customer Service:

Email: customer@advancetabco.com or Fax: 631-242-6900

For Smart Fabrication™ Quotes:

Email: smartfab@advancetabco.com or Fax: 631-586-2933

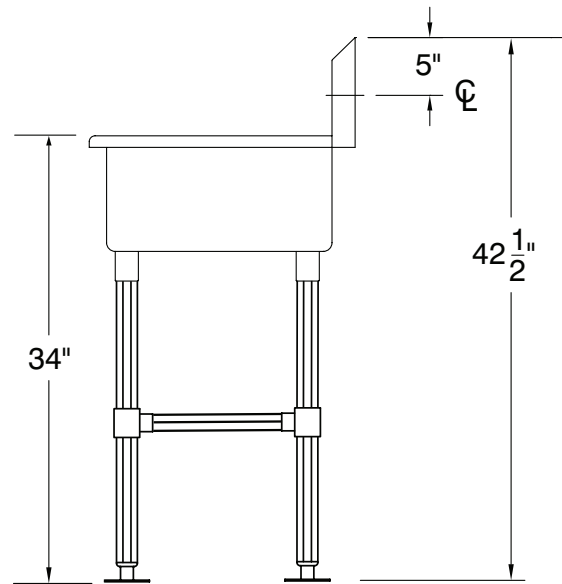
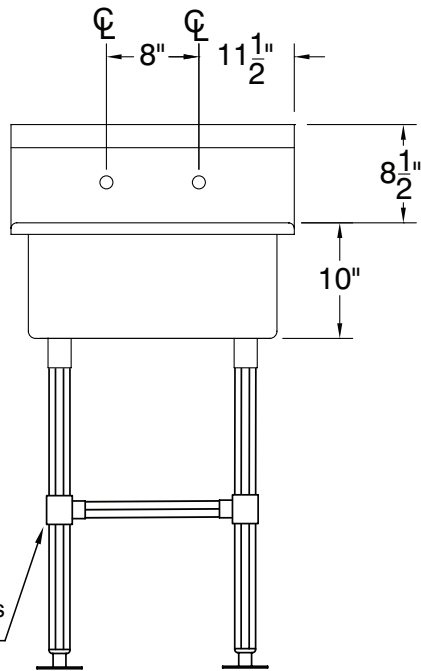
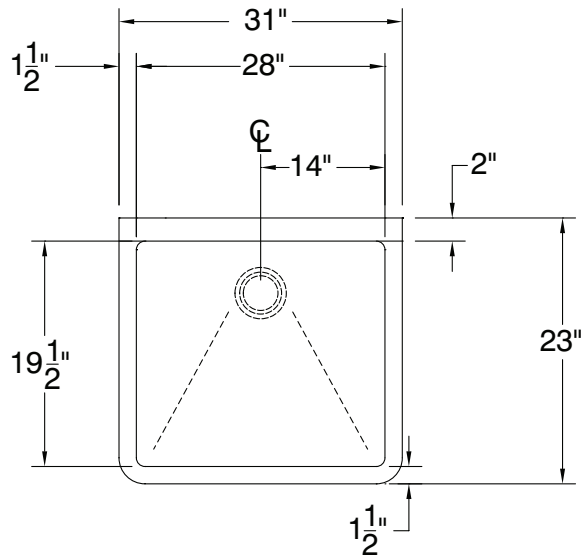
DETAILS and SPECIFICATIONS

TOL ± .500"

FITTINGS SUPPLIED AS SHOWN

ALL DIMENSIONS ARE TYPICAL

FS-FM-3119



Stainless Steel Rear & Sides
Adjustable Cross-Bracing

80 Lbs.

