

"PBF-8HD" HEAVY DUTY FAUCETS

Low-Lead, Deckmount w/Swing Spout, 8" O.C.

FEATURES:

- Heavy Duty Double Seat 1/4" Turn Ceramic Cartridges
- Color Coded Hot & Cold Indicators
- Double O-Ring Spout Seal
- High Polished Triple Dipped Chrome Finish
- Integral Check Valve
- Lead Free Compliant

CERTIFICATIONS:



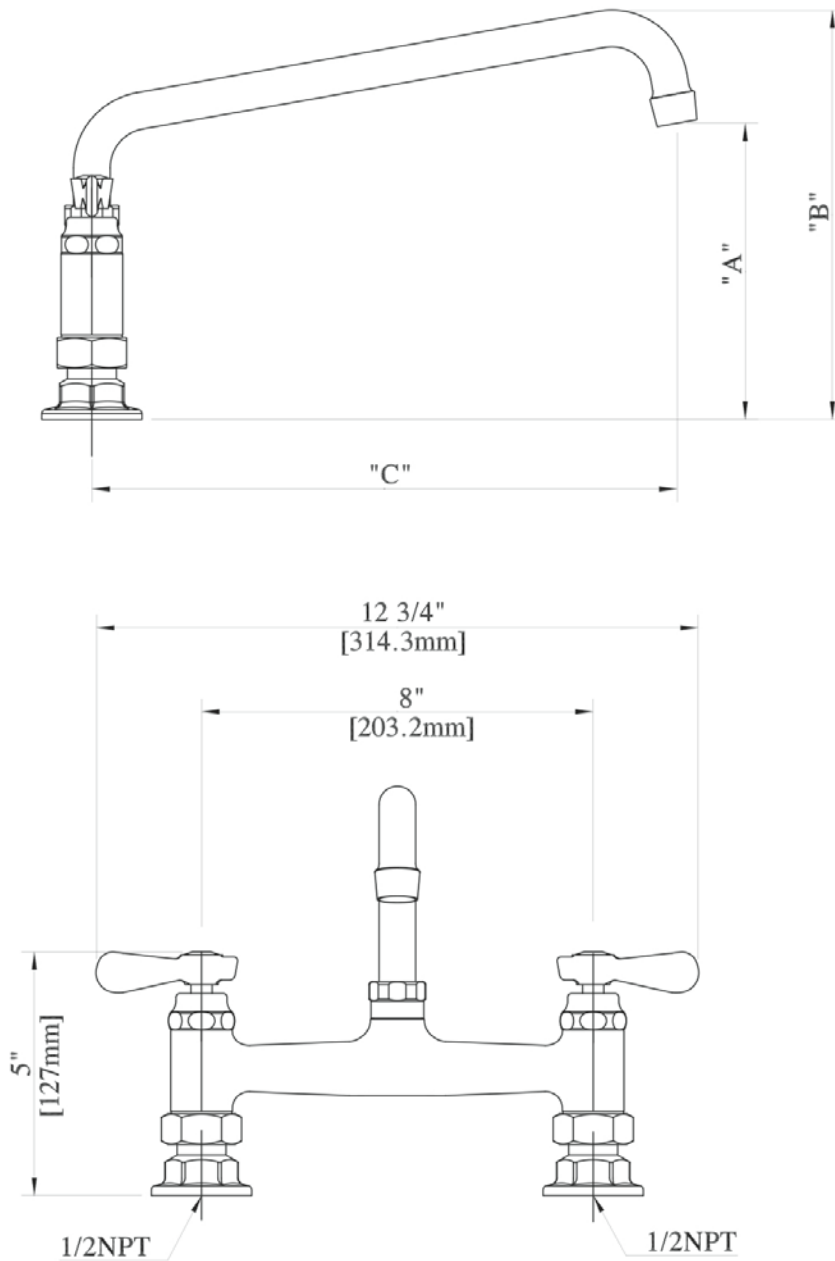
PB-8HD-8-SLF

"PBF-8HD" LOW-LEAD HEAVY DUTY FAUCETS

MODEL	DESCRIPTION	A	B	C	WEIGHT (LBS)
PBF-8HD-8-SLF	8" Swing spout	5.56"	7.38"	8"	4
PBF-8HD-12-SLF	12" Swing spout	6"	8.20"	12"	4

ALL DIMENSIONS ARE TYPICAL. TOLERANCE +/- .500". JOHN BOOS & CO. RESERVES THE RIGHT TO CHANGE SPECIFICATIONS WITHOUT NOTICE.

DETAILED SPECIFICATIONS



"PBF-8HD" LOW-LEAD HEAVY DUTY FAUCETS

MODEL	DESCRIPTION	A	B	C	WEIGHT (LBS)
PBF-8HD-8-SLF	8" Swing spout	5.56"	7.38"	8"	4
PBF-8HD-12-SLF	12" Swing spout	6"	8.20"	12"	4

ALL DIMENSIONS ARE TYPICAL. TOLERANCE +/- .500". JOHN BOOS & CO. RESERVES THE RIGHT TO CHANGE SPECIFICATIONS WITHOUT NOTICE.