



CONVECTION OVEN



Countertop Convection Oven, (5) 13" x 18" Capacity, Full View Glass Door, Electromechanical Controls, Stainless Steel Construction, 4" Adjustable Legs, ETL, NSF, Energy Star



PROJECT _____

ITEM NO. _____

NOTES _____

MODEL NUMBER: **NC05**



FEATURES

- Temperatures reaching 550°F (287°C)
- Electromechanical Controls
- Indicator Light for Thermostat
- Door Switch Cutoff for Fan Blower
- Adjustable Buzzer Volume
- 60 Minute Timer

CONSTRUCTION

- 4" Adjustable Legs
- Stainless Steel Construction
- Press-Fit Removable Gasket for Easy Cleaning
- Dual-Pane, Cool To Touch Glass Door
- Life Up Removable Side Racks
- Left-Hinged Door

OPTIONS & ACCESSORIES

- Wire Shelf [98-1227-A]
- Cart w/ Pan Slides [98-9450]

CLEARANCES

- 4" [All Sides of Unit]

WARRANTY

- One Year Labor & Two Year Parts



Model	Crated Weight	Overall Dimensions			Interior Dimensions			Pan Capacity (13"x18")	Shelf Spacing
		W	D	H	W	D	H		
NC05	180 (82)	29 1/8" (740)	27 7/8" (708)	26 7/8" (683)	18 3/8" (467)	14 3/8" (365)	16 7/8" (429)	5	3 1/8" (79)

SPECIFICATIONS SUBJECT TO CHANGE WITHOUT NOTICE

KCL & REVIT DRAWINGS UPON REQUEST

REVISION B | 7/13/2021

Follow Us



NU-VU

5600 13th Street, Menominee, MI 49858

906.863.4401 | 800.338.9886 | www.nu-vu.com

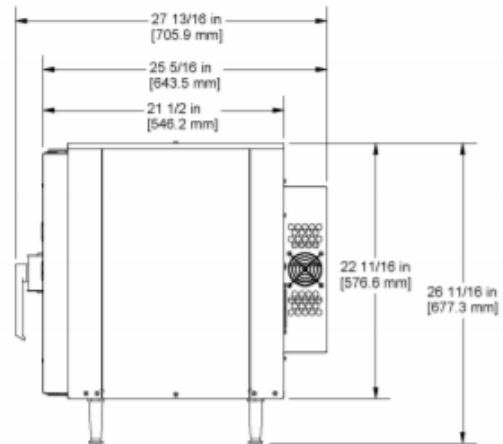
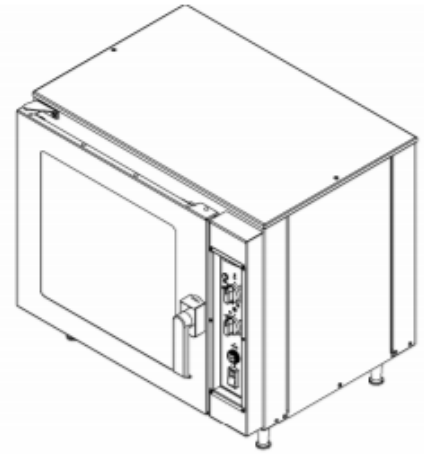
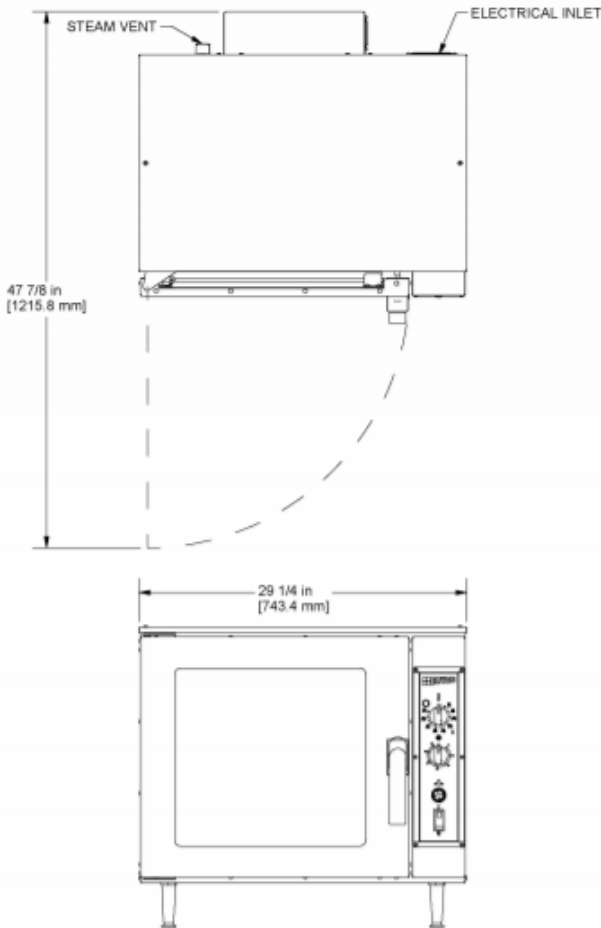




PROJECT _____
 ITEM NO. _____
 NOTES _____

MODEL NUMBER: **NC05**

DRAWINGS



ELECTRICAL SYSTEM

Model	Gas System			Electrical System *ground wire not included						
	BTU	D.H.	G.I.	Volts	Phases	Amps	kW	Wires*	Hz	NEMA
NC05	-	-	-	208	1	21	4	2	60	-
				240	1	18	4	2	60	-

SPECIFICATIONS SUBJECT TO CHANGE WITHOUT NOTICE

KCL & REVIT DRAWINGS UPON REQUEST

REVISION B | 7/13/2021

Follow Us



NU-VU

5600 13th Street, Menominee, MI 49858

906.863.4401 | 800.338.9886 | www.nu-vu.com

