



MKLMA 664 TS

SIX-TRAY, FULL-SIZE

PROOFER / HOLDING CABINET (120v or 208v/240v)

FEATURES



(6) 18" x 26" tray capacity with 3 5/32" pitch

(12) Half-size (13" x 18") tray capacity

Two-year parts & labor warranty *INCLUDED*

Electrical cord and plug *INCLUDED*

Proofer temperature range 86°F to 140°F

Holding Cabinet temperature range 100°F to 175°F

AISI 304 stainless-steel chamber

Door is left-opening (hinged-right)

Stackable with MKFA 1064 TS, MKFA 664 TS or MKFA 464 TS

Casters included

*Must be connected to an **eka** Millennium oven

Conforms to the following standards:

- Standard safety UL 197-2014
- Sanitation NSF / ANSI 4-2014
- Sanitation NSF / ANSI 170-2010
- Sanitation NSF / ANSI 51-2012
- CSAC 22.2 No. 109-M1981



Tecnoeka, Inc.
3385 Denver Drive
Denver, North Carolina 28037

Web Site: www.tecnoeka.com
E-mail: info.usa@tecnoeka.com
Toll Free: 888-626-EKA1 (3521)



Printed in the U.S.A.
January 2020

MKLMA 664 TS

DIMENSIONS NET AS SHIPPED

	NET	AS SHIPPED
Width	33.46 in	35 in
Depth	40.55 in	44 in
Height	30.51 in	35 in
Weight	179 lb	226 lb

UTILITY CONNECTIONS

All utility connections should be within three feet of the centerline of the back of the oven when installed.

Water supply: cold-water supply (max 86°F) connected to 3/4" NPT connection.

Water pressure: Pressure at oven water inlet: 15-30 psi.

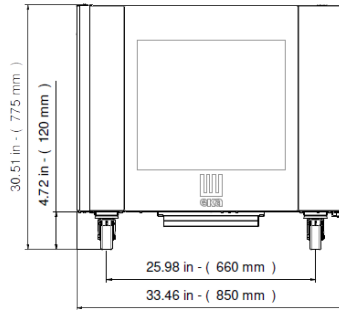
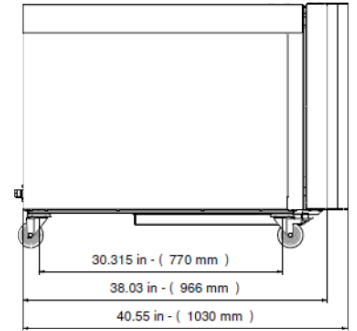
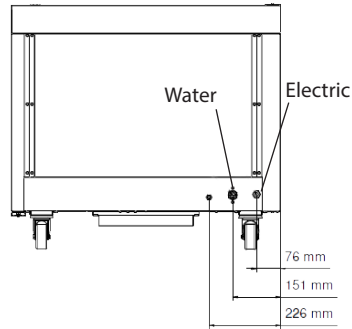
ELECTRICAL

Power:	1.7 -1.8 kw	
Frequency:	60 Hz	
Model:	<u>MKLMA664TS1</u>	<u>MKLMA664TS2</u>
Voltage (V):	120v	208/240v
Current (A):	14 amps	7 amps
Plug (supplied):	NEMA 5-20	NEMA 6-20
Breaker size:	20 amp (recommended)	

WATER QUALITY SPECIFICATIONS

Free Chlorine:	< 0.1	ppm
Hardness:	30-70	ppm
Chloride:	< 30	ppm
Total Dissolved Solids:	50-125	ppm
Silica:	< 12	ppm
pH:	7.0 - 8.5	
Chloramine:	< 0.1	ppm
Alkalinity:	< 150	ppm (CaCO ₃)

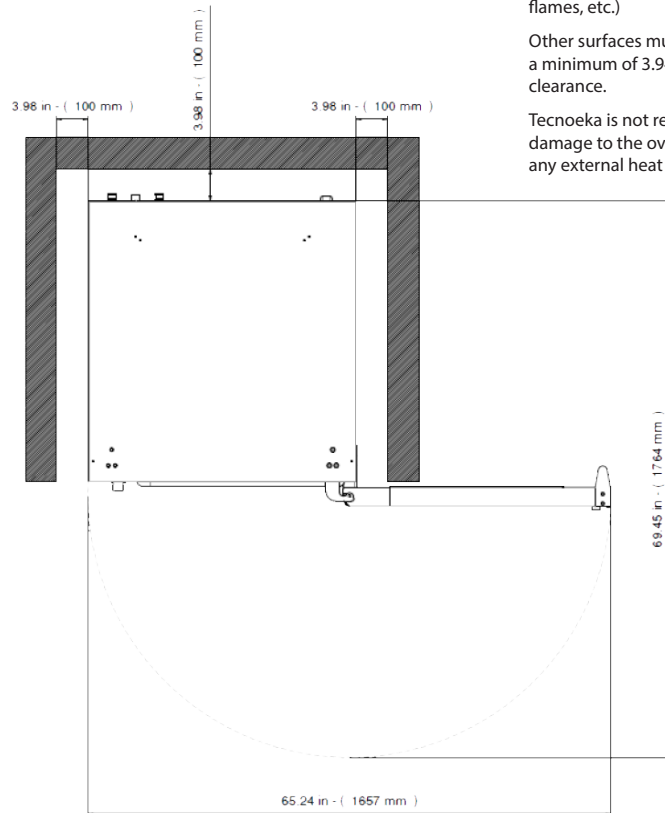
AVAILABLE OPTIONS AND ACCESSORIES



* Unit must be installed a minimum of 19.7" (500 mm) from any significant source of heat and/or grease (for example: fryers, burners, kettles, open flames, etc.)

Other surfaces must maintain a minimum of 3.94" (100mm) clearance.

Tecnoeka is not responsible for damage to the oven caused by any external heat source.



Tecnoeka, Inc.
3385 Denver Drive
Denver, North Carolina 28037

Web Site: www.tecnoeka.com
E-mail: info.usa@tecnoeka.com
Toll Free: 888-626-EKA1 (3521)

