

"PRB-C-3" POT RACKS - CEILING MOUNT

Fits 84"-144" Tables, Stainless Steel Construction w/Stainless Steel Hooks

FEATURES:

- Type 300 Stainless Steel
- All Racks Provided With Type 300 Stainless Steel Hooks (See Table For Quantity Per Size)
- Welded Setup
- Standard Ceiling Mount
- Recommended Ceiling Height 10'

SPECIFICATIONS:

- Made Of 3/16"x2" Stainless Steel Flat Bar
- Uprights: 1-1/4"x1/8" Thick Stainless Steel Flat Bar, Type 300 Stainless Steel

CERTIFICATIONS:

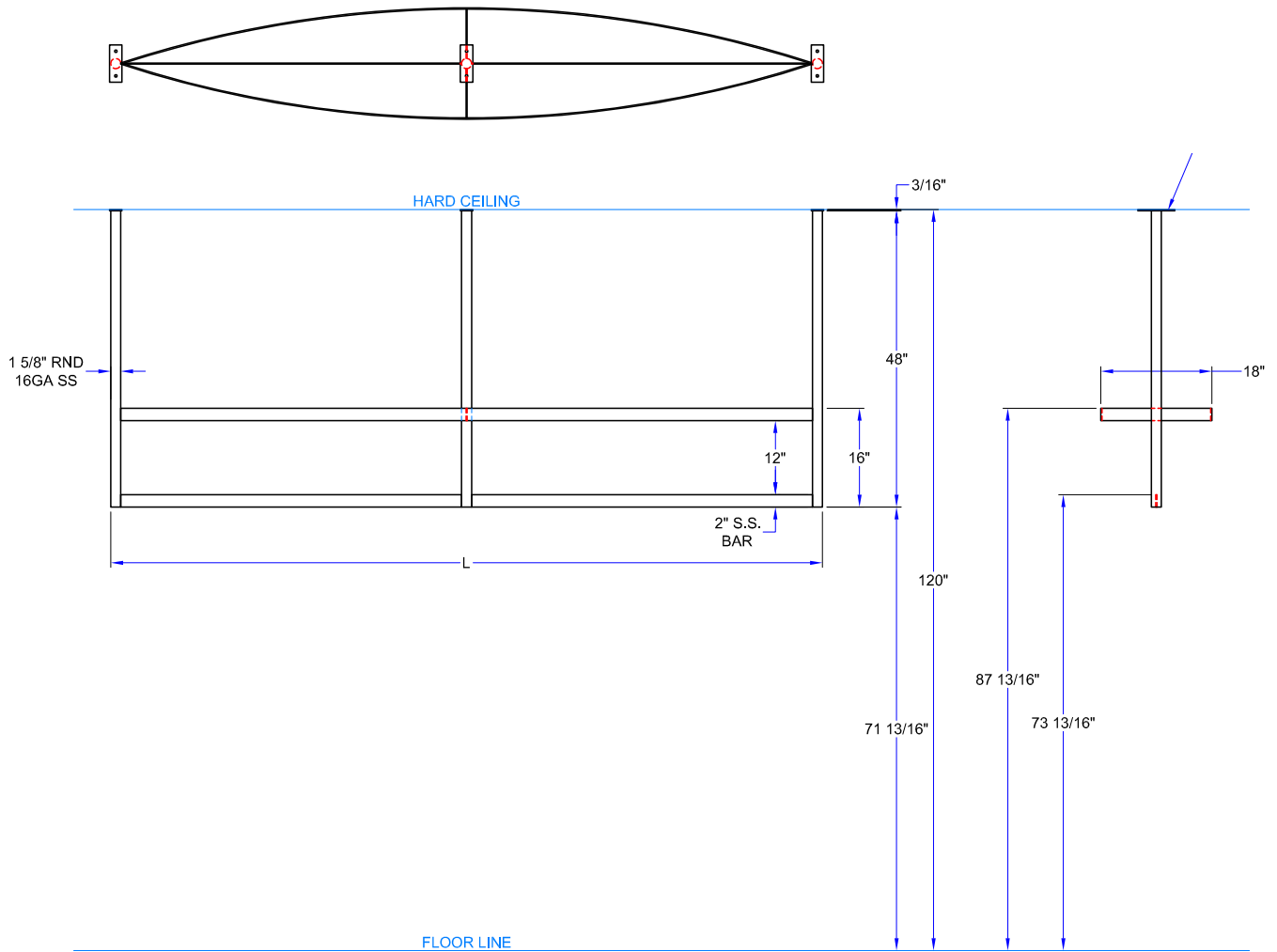


"PRB-C-3" POT RACK - CEILING MOUNT

MODEL	# OF UPRIGHTS	TABLE LENGTH	LENGTH	# OF HOOKS	WT. (LBS)
PRB03A-C	3	84"	79-1/4"	21	45
PRB04-C	3	96"	91-1/4"	24	49
PRB04A-C	3	108"	103-1/4"	27	53
PRB05-C	3	120"	115-1/4"	30	57
PRB06-C	3	132"	127-1/4"	33	61
PRB07-C	3	144"	139-1/4"	36	66

ALL DIMENSIONS ARE TYPICAL. TOLERANCE +/- .500". JOHN BOOS & CO. RESERVES THE RIGHT TO CHANGE SPECIFICATIONS WITHOUT NOTICE.

DETAILED SPECIFICATIONS



"PRB-C-3" POT RACK - CEILING MOUNT

MODEL	# OF UPRIGHTS	TABLE LENGTH	LENGTH	# OF HOOKS	WT. (LBS)
PRB03A-C	3	84"	79-1/4"	21	45
PRB04-C	3	96"	91-1/4"	24	49
PRB04A-C	3	108"	103-1/4"	27	53
PRB05-C	3	120"	115-1/4"	30	57
PRB06-C	3	132"	127-1/4"	33	61
PRB07-C	3	144"	139-1/4"	36	66

ALL DIMENSIONS ARE TYPICAL. TOLERANCE +/- .500". JOHN BOOS & CO. RESERVES THE RIGHT TO CHANGE SPECIFICATIONS WITHOUT NOTICE.