



The Signature of Quality®

FEDERAL INDUSTRIES

A Standex Company
215 Federal Avenue
Belleville, WI 53508-9201

Phone: 800-356-4206
Fax: 608-424-3234
Email: geninfo@federalind.com
Website: www.federalind.com

Project Name: _____

Item #: _____

Model #: _____ Qty: _____

Approval: _____

AIA#

SIS#

REFRIGERATED SELF-SERVE ISLAND DISPLAY CASE

Designed with impulse sales in mind. Get maximum return and increased profits with shop-around merchandising.



Models IMSS84SC-3 and IMSS60SC-2 Shown
Shown with options

MODEL	DIMENSIONS
<input type="checkbox"/> IMSS60SC-2	60.5 x 40.5 x 55 (in) 1537 x 1029 x 1397 (mm)
<input type="checkbox"/> IMSS60SC-3	60.5 x 40.5 x 60 (in) 1537 x 1029 x 1524 (mm)
<input type="checkbox"/> IMSS84SC-2	84.5 x 40.5 x 55 (in) 2146 x 1029 x 1397 (mm)
<input type="checkbox"/> IMSS84SC-3	84.5 x 40.5 x 60 (in) 2146 x 1029 x 1524 (mm)

STANDARD FEATURES

Model Features

- Black Metal Base, Interior and Canopy. Choice of standard laminates on exterior. Specialty laminates are optional.
- Air Deflector
- Easily accessible light switch and temperature control
- Insulated with high-density foam
- Adjustable Leg Levelers

Refrigeration

- Condensate evaporator provided for a totally self contained system (Models IMSS60SC-3 and IMSS84SC-3)
- Condensate Pump standard on models IMSS60SC-2 and IMSS84SC-2.
- Easy clean, rust-proof insulated evaporator coil compartment
- Refrigeration controls maintain 38°- 40° F. Note: Case temperature will vary if the air curtain is disrupted
- Starting January 1, 2025, R449a refrigerant will be replaced by R454c
- Thermometer

Shelving

- Adjustable black metal shelves, two or three tier

Lighting

- 3500K LED top and under shelf lighting
- DCL Certified, IP66 rated

Agency Approvals

- UL Safety and UL Sanitation Listed to NSF Standard No. 7
- DOE 2017 Compliant

OPTIONAL ACCESSORIES

- | | |
|--|--|
| <input type="checkbox"/> Special color laminated exterior finish | <input type="checkbox"/> Condenser air filter (self-contained only) |
| <input type="checkbox"/> Stainless steel exterior | <input type="checkbox"/> Remote refrigeration (R449a refrigerant, EEV included) |
| <input type="checkbox"/> Stainless steel interior | <input type="checkbox"/> Large-capacity condensate evaporator assembly (field install) (separate 208/240V, 20A circuit required) |
| <input type="checkbox"/> Recessed casters or legs | <input type="checkbox"/> Condensate pump in lieu of pan |
| <input type="checkbox"/> Cord and plug | <input type="checkbox"/> Condensate evaporator assembly (field install) (separate 208-240V, 15A circuit required) |
| <input type="checkbox"/> Cart bumper | |
| <input type="checkbox"/> Top-mounted electrical | |
| <input type="checkbox"/> Top-mount refrigeration | |
| <input type="checkbox"/> Top-mount condensate pump lines | |



WARRANTY*
One year Parts and Labor
2nd thru 5th year part
only service compressor
(U.S.A and Canada)

Note: Information is subject to change at any time.
Visit www.federalind.com for the most current specs.

Revised 8/21/2023

AIA#

REFRIGERATED SELF-SERVE ISLAND DISPLAY CASE

SIS#


Product Specifications

Intended Environment: Type I - Designed to operate in maximum ambient conditions of 75°F (24°C) and 55% relative humidity unless noted otherwise in system information below.

Zone	Intended Product To Be Displayed	Avg Prod Temp °F/°C
All	Packaged Refrigerated Products	38°F / (3.3°C)

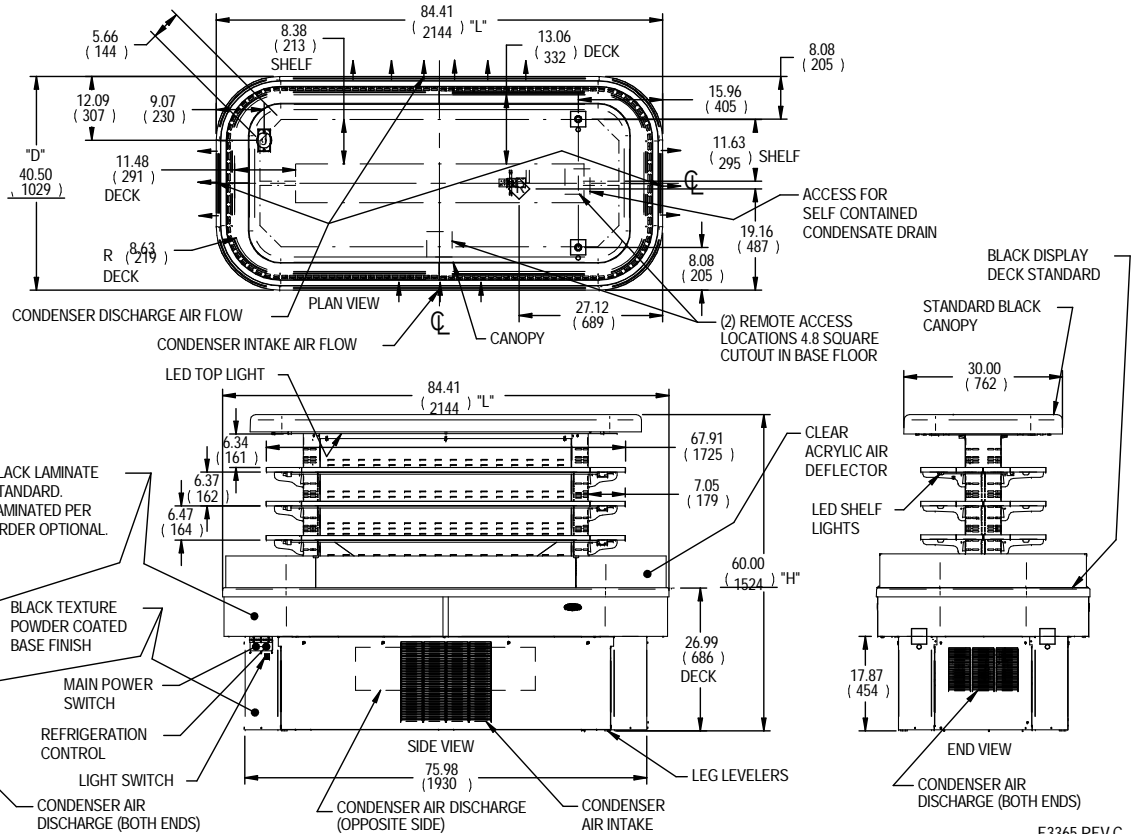
DIMENSION: xx"/(mm)

DIMENSION TOLERANCE +/- 0.25 (6.4)

SYMBOL KEY:
 ELECTRICAL JUNCTION BOX (SUPPLIED W/6' LEADS OR POWER CORD)

 TUB DRAIN LOCATION

 REMOTE REFRIGERATION LINE CONNECTION



E3365 REV C

MODEL	SELF CONTAINED										REMOTE						
	DIMENSION			SHELVING		PERMANENT CONNECT		OPTIONAL NEMA CORD & PLUG	REFRIG	C.U. HP	SHIP WEIGHT	PERMANENT CONNECT		REFRIG	BTU'S @+20*	SHIP WEIGHT	
	L	D	H	# OF TIERS	D	L	2-WIRE + GROUND					2-WIRE + GROUND	2-WIRE + GROUND				2-WIRE + GROUND
	in	in	in		in	in	208-230/60/1	2-WIRE + GROUND			LBS					LBS	
IMSS60SC-2	60.50	40.50	55.00	2	8.5	43.89	16.0	30	6-20P	R449a	1.5	860 LBS	2.0	15	R449a	12,800	750 LBS
	1537	1029	1397		216	1115						390 KILO					340 KILO
IMSS60SC-3	60.50	40.50	60.00	3	8.5	43.89	16.0	30	6-20P	R449a	1.5	910 LBS	2.0	15	R449a	12,800	800 LBS
	1537	1029	1524		216	1115						413 KILO					363 KILO
IMSS84SC-2	84.50	40.50	55.00	2	8.5	67.89	18.0	30	6-20P	R449a	1.8	1000 LBS	3.0	15	R449a	16,400	890 LBS
	2146	1029	1397		216	1724						454 KILO					404 KILO
IMSS84SC-3	84.50	40.50	60.00	3	8.5	67.89	18.0	30	6-20P	R449a	1.8	1150 LBS	3.0	15	R449a	16,400	1040 LBS
	2146	1029	1524		216	1724						522 KILO					472 KILO

- Case temperature will vary if the air curtain disrupted
- Refrigerated cases are designed to operate in a maximum of 75°F (24°C) ambient and 55% relative humidity.
- Due to continuing engineering improvements, specifications are subject to change without notice.



The Signature of Quality

FEDERAL INDUSTRIES

A Standex Company

215 Federal Avenue Belleville, Wisconsin 53508-9201

Phone: 800-356-4206

Fax: 608-424-3234

Email: Geninfo@Federalind.com

Website: Federalind.com