



Project \_\_\_\_\_

Item # \_\_\_\_\_

Quantity \_\_\_\_\_

## Heated LED Merchandisers

Models: HXMH-24, -30, -36, -42, -48, -54, -60  
HXMH-24D, -30D, -36D, -42D, -48D, -54D, -60D  
HXMS-24, -30, -36, -42, -48, -54, -60  
HXMS-24D, -30D, -36D, -42D, -48D, -54D, -60D

Hatco's Heated Merchandisers are sleekly designed to enhance your décor. They safely hold hot packaged food at proper serving temperatures while aesthetically attracting your grab-and-go customers. These sleek models offer the convenience of self-serve or the efficiency of kitchen-to-server holding.

### Standard features

- Infrared heat safely holds hot packaged products. Perfect for those short term holding items for, breakfast, lunch, impulse sales and dinner
- High efficiency LED lighting creates better illumination of food product on each shelf and saves energy
- Hinged glass side panels are held in place magnetically and swing out for easy cleaning
- Standard units shipped with: thermostatically-controlled heated base, LED lighting on each shelf, product divider rods, hinged glass side panels, a 6' (1829 mm) cord and plug and comes standard in *Designer Black* ✓



HXMH-24  
Horizontal single shelf



HXMH-30D  
Horizontal dual shelf

### Options (available at time of purchase only)

#### Designer Colors✓

Non-standard colors are non-returnable – Black standard

- Warm Red     Gray Granite     White Granite  
 Navy Blue     Hunter Green     Antique Copper

- Red LED accent lighting in support posts  
 Indicating Temperature Control (ITC)  
 Sneeze Guards - Not compatible with optional Flip-Up Doors in same opening (customer side only)  
 Plexi-Glass Flip-Up Doors on one side - Not compatible with optional Sneeze Guards in same opening (one side only)

### Accessories

- Additional Stainless Steel Divider Rods



✓ IFS anti-microbial coatings use naturally-occurring, environmentally sustainable, silver ions to help inhibit the growth of microbes on the powder coated surface. See [www.hatcocorp.com/antimicrobial-paint](http://www.hatcocorp.com/antimicrobial-paint) for more information.



For operation, location and safety information, please refer to the Installation and Operating Manual.



ANSI/NSF 4



HATCO CORPORATION | P.O. Box 340500 Milwaukee, WI 53234-0500 U.S.A. | (800) 558-0607 | (414) 671-6350



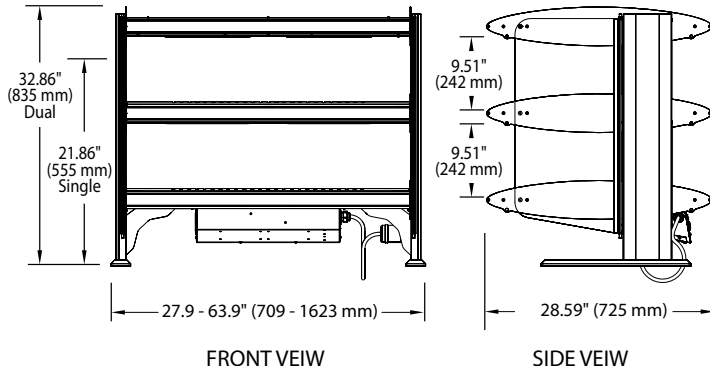
[www.hatcocorp.com](http://www.hatcocorp.com) | [support@hatcocorp.com](mailto:support@hatcocorp.com) | [Find a Hatco Rep](#) | [Image Library](#) | [Document Library](#) | [Patents](#) | [Chat](#)



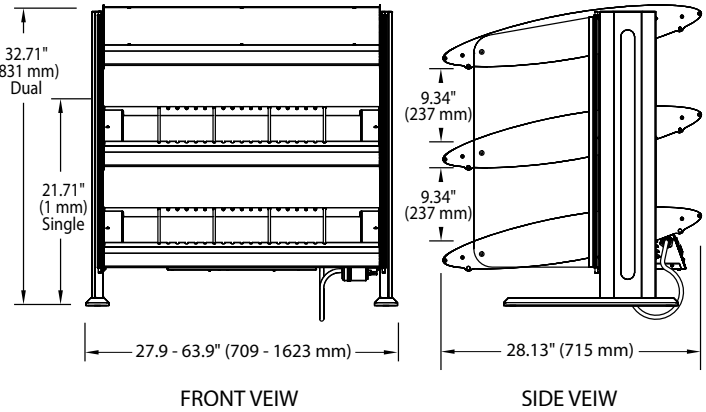
# Heated LED Merchandisers

Models: HXMH-24, -30, -36, -42, -48, -54, -60 HXMH-24D, -30D, -36D, -42D, -48D, -54D, -60D  
 HXMS-24, -30, -36, -42, -48, -54, -60 HXMS-24D, -30D, -36D, -42D, -48D, -54D, -60D

## HORIZONTAL SHELF



## SLANT SHELF



## SPECIFICATIONS

### Single Shelf – Horizontal Heated Merchandisers

The shaded areas contain electrical information for International models

Model	Divider Rods	Dimensions (W x D x H)	Usable Heated Shelf Space (W x D)	Volts	Watts	Amps	Plug	Ship Weight*
HXMH-24	5	27.9" x 28.56" x 21.86" (709 x 725 x 555 mm)	22.34" x 21.75" (567 x 552 mm)	120	700	5.8	NEMA 5-15P	120 lbs. (55 kg)
				230	671	2.9	Schuko, AS-3112 or BS-1363	120 lbs. (55 kg)
HXMH-30	6	33.9" x 28.56" x 21.86" (861 x 725 x 555 mm)	28.34" x 21.75" (720 x 552 mm)	120	900	7.5	NEMA 5-15P	133 lbs. (60 kg)
				230	863	3.8	Schuko, AS-3112 or BS-1363	133 lbs. (60 kg)
HXMH-36	7	39.9" x 28.56" x 21.86" (1013 x 725 x 555 mm)	34.34" x 21.75" (872 x 552 mm)	120	1100	9.2	NEMA 5-15P	145 lbs. (66 kg)
				230	1055	4.6	Schuko, AS-3112 or BS-1363	145 lbs. (66 kg)
HXMH-42	8	45.9" x 28.56" x 21.86" (1166 x 725 x 555 mm)	40.34" x 21.75" (1025 x 552 mm)	120	1200	10.0	NEMA 5-15P	161 lbs. (73 kg)
				230	1201	5.2	Schuko, AS-3112 or BS-1363	161 lbs. (73 kg)
HXMH-48	9	51.9" x 28.56" x 21.86" (1318 x 725 x 555 mm)	46.34" x 21.75" (1177 x 552 mm)	120	1450	12.1	NEMA 5-20P	190 lbs. (86 kg)
				230	1392	6.1	Schuko, AS-3112 or BS-1363	190 lbs. (86 kg)
HXMH-54	10	57.9" x 28.56" x 21.86" (1471 x 725 x 555 mm)	52.34" x 21.75" (1329 x 552 mm)	120	1650	13.8	NEMA 5-20P	205 lbs. (93 kg)
				230	1585	6.9	Schuko, AS-3112 or BS-1363	205 lbs. (93 kg)
HXMH-60	12	63.9" x 28.56" x 21.86" (1623 x 725 x 555 mm)	58.34" x 21.75" (1482 x 552 mm)	120	1850	15.4	NEMA 5-20P	230 lbs. (104 kg)
				230	1777	7.7	Schuko, AS-3112 or BS-1363	230 lbs. (104 kg)

\* Shipping weight includes packaging.





# Heated LED Merchandisers

Models: HXMH-24, -30, -36, -42, -48, -54, -60 HXMH-24D, -30D, -36D, -42D, -48D, -54D, -60D  
 HXMS-24, -30, -36, -42, -48, -54, -60 HXMS-24D, -30D, -36D, -42D, -48D, -54D, -60D

## Dual Shelf – Horizontal Heated Merchandisers

The shaded areas contain electrical information for International models

Model	Divider Rods	Dimensions (W x D x H)	Usable Heated Shelf Space (W x D)	Volts	Watts	Amps	Plug	Ship Weight*
HXMH-24D	10	27.9" x 28.56" x 32.86" (709 x 725 x 835 mm)	22.34" x 21.75" (567 x 552 mm)	120	1400	11.7	NEMA 5-15P	160 lbs. (73 kg)
				230	1342	5.8	Schuko, AS-3112 or BS-1363	160 lbs. (73 kg)
HXMH-30D	12	33.9" x 28.56" x 32.86" (861 x 725 x 835 mm)	28.34" x 21.75" (720 x 552 mm)	120/208-240	1800	7.5	NEMA L14-20P	185 lbs. (84 kg)
				230	1726	7.5	Schuko, AS-3112 or BS-1363	185 lbs. (84 kg)
HXMH-36D	14	39.9" x 28.56" x 32.86" (1013 x 725 x 835 mm)	34.34" x 21.75" (872 x 552 mm)	120/208-240	2200	9.2	NEMA L14-20P	205 lbs. (93 kg)
				230	2110	9.2	Schuko, AS-3112 or BS-1363	205 lbs. (93 kg)
HXMH-42D	16	45.9" x 28.56" x 32.86" (1166 x 725 x 835 mm)	40.34" x 21.75" (1025 x 552 mm)	120/208-240	2400	10.0	NEMA L14-20P	220 lbs. (100 kg)
				230	2402	10.4	Schuko, AS-3112 or BS-1363	220 lbs. (100 kg)
HXMH-48D	18	51.9" x 28.56" x 32.86" (1318 x 725 x 835 mm)	46.34" x 21.75" (1177 x 552 mm)	120/208-240	2900	12.1	NEMA L14-20P	244 lbs. (111 kg)
				230	2784	12.1	Schuko, AS-3112 or BS-1363	244 lbs. (111 kg)
HXMH-54D	20	57.9" x 28.56" x 32.86" (1471 x 725 x 835 mm)	52.34" x 21.75" (1329 x 552 mm)	120/208-240	3300	13.8	NEMA L14-20P	271 lbs. (123 kg)
				230	3170	13.8	Schuko, AS-3112 or cord with no plug	271 lbs. (123 kg)
HXMH-60D	24	63.9" x 28.56" x 32.86" (1623 x 725 x 835 mm)	58.34" x 21.75" (1482 x 552 mm)	120/208-240	3700	15.4	NEMA L14-20P	300 lbs. (136 kg)
				230	3554	15.4	Schuko or cord with no plug	300 lbs. (136 kg)

\* Shipping weight includes packaging.

## SPECIFICATIONS

### Single Shelf – Slant Heated Merchandisers

The shaded areas contain electrical information for International models

Model	Divider Rods	Dimensions (W x D x H)	Usable Heated Shelf Space (W x D)	Volts	Watts	Amps	Plug	Ship Weight*
HXMS-24	5	27.9" x 28.13" x 21.71" (709 x 715 x 551 mm)	22.34" x 21.75" (567 x 552 mm)	120	700	5.8	NEMA 5-15P	112 lbs. (51 kg)
				230	671	2.9	Schuko, AS-3112 or BS-1363	112 lbs. (51 kg)
HXMS-30	6	33.9" x 28.13" x 21.71" (861 x 715 x 551 mm)	28.34" x 21.75" (720 x 552 mm)	120	900	7.5	NEMA 5-15P	133 lbs. (60 kg)
				230	863	3.8	Schuko, AS-3112 or BS-1363	133 lbs. (60 kg)
HXMS-36	7	39.9" x 28.13" x 21.71" (1013 x 715 x 551 mm)	34.34" x 21.75" (872 x 552 mm)	120	1100	9.2	NEMA 5-15P	150 lbs. (68 kg)
				230	1055	4.6	Schuko, AS-3112 or BS-1363	150 lbs. (68 kg)
HXMS-42	8	45.9" x 28.13" x 21.71" (1166 x 715 x 551 mm)	40.34" x 21.75" (1025 x 552 mm)	120	1200	10.0	NEMA 5-15P	161 lbs. (73 kg)
				230	1201	5.2	Schuko, AS-3112 or BS-1363	161 lbs. (73 kg)
HXMS-48	9	51.9" x 28.13" x 21.71" (1318 x 715 x 551 mm)	46.34" x 21.75" (1177 x 552 mm)	120	1450	12.1	NEMA 5-20P	188 lbs. (85 kg)
				230	1392	6.1	Schuko, AS-3112 or BS-1363	188 lbs. (85 kg)
HXMS-54	10	57.9" x 28.13" x 21.71" (1471 x 715 x 551 mm)	52.34" x 21.75" (1329 x 552 mm)	120	1650	13.8	NEMA 5-20P	205 lbs. (93 kg)
				230	1585	6.9	Schuko, AS-3112 or BS-1363	205 lbs. (93 kg)
HXMS-60	12	63.9" x 28.13" x 21.71" (1623 x 715 x 551 mm)	58.34" x 21.75" (1482 x 552 mm)	120	1850	15.4	NEMA 5-20P	205 lbs. (93 kg)
				230	1777	7.7	Schuko, AS-3112 or BS-1363	205 lbs. (93 kg)

\* Shipping weight includes packaging.





# Heated LED Merchandisers

Models: HXMH-24, -30, -36, -42, -48, -54, -60 HXMH-24D, -30D, -36D, -42D, -48D, -54D, -60D  
 HXMS-24, -30, -36, -42, -48, -54, -60 HXMS-24D, -30D, -36D, -42D, -48D, -54D, -60D

## Dual Shelf — Slant Heated Merchandisers

The shaded areas contain electrical information for International models

Model	Divider Rods	Dimensions (W x D x H)	Usable Heated Shelf Space (W x D)	Volts	Watts	Amps	Plug	Ship Weight*
HXMS-24D	10	27.9" x 28.13" x 32.71" (709 x 715 x 831 mm)	22.34" x 21.75" (567 x 552 mm)	120	1400	11.7	NEMA 5-15P	160 lbs. (73 kg)
				230	1342	5.8	Schuko, AS-3112 or BS-1363	160 lbs. (73 kg)
HXMS-30D	12	33.9" x 28.13" x 32.71" (861 x 715 x 831 mm)	28.34" x 21.75" (720 x 552 mm)	120/208-240	1800	7.5	NEMA L14-20P	187 lbs. (85 kg)
				230	1726	7.5	Schuko, AS-3112 or BS-1363	187 lbs. (85 kg)
HXMS-36D	14	39.9" x 28.13" x 32.71" (1013 x 715 x 831 mm)	34.34" x 21.75" (872 x 552 mm)	120/208-240	2200	9.2	NEMA L14-20P	208 lbs. (94 kg)
				230	2110	9.2	Schuko, AS-3112 or BS-1363	208 lbs. (94 kg)
HXMS-42D	16	45.9" x 28.13" x 32.71" (1166 x 715 x 831 mm)	40.34" x 21.75" (1025 x 552 mm)	120/208-240	2400	10.0	NEMA L14-20P	232 lbs. (105 kg)
				230	2402	10.4	Schuko, AS-3112 or BS-1363	232 lbs. (105 kg)
HXMS-48D	18	51.9" x 28.13" x 32.71" (1318 x 715 x 831 mm)	46.34" x 21.75" (1177 x 552 mm)	120/208-240	2900	12.1	NEMA L14-20P	245 lbs. (111 kg)
				230	2784	12.1	Schuko, AS-3112 or BS-1363	245 lbs. (111 kg)
HXMS-54D	20	57.9" x 28.13" x 32.71" (1471 x 715 x 831 mm)	52.34" x 21.75" (1329 x 552 mm)	120/208-240	3300	13.8	NEMA L14-20P	270 lbs. (123 kg)
				230	3170	13.8	Schuko, AS-3112 or cord with no plug	270 lbs. (123 kg)
HXMS-60D	24	63.9" x 28.13" x 32.71" (1623 x 715 x 831 mm)	58.34" x 21.75" (1482 x 552 mm)	120/208-240	3700	15.4	NEMA L14-20P	291 lbs. (132 kg)
				230	3554	15.5	Schuko or cord with no plug	291 lbs. (132 kg)

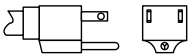
\* Shipping weight includes packaging.

### CORD LOCATION

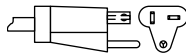
Left rear corner, toward server side.

### PLUG CONFIGURATIONS

NEMA 5-15P



NEMA 5-20P



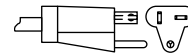
NEMA L14-20P



CEE 7/7 Schuko



AS-3112



BS-1363



### PRODUCT SPECS

#### Heated LED Merchandisers

The Heated Merchandisers shall be a model ... as manufactured by the Hatco Corporation, Milwaukee, WI 53234 U.S.A.

The warmer shall be rated at ... watts, ... volts, and be ... inches (millimeters) in overall width. It shall consist of a thermostatically-controlled heated base, infrared heat from above, full-view tempered glass sides and LED display lights. The merchandiser shall

have LED lighting, fast heating infrared cal-rod elements, hinged glass side panels and will have a cord with plug attached.

Accessories shall include additional stainless steel dividers rods.

Warranty consists of 24/7 parts and service assistance (US and Canada only).

HATCO CORPORATION | P.O. Box 340500 Milwaukee, WI 53234-0500 U.S.A. | (800) 558-0607 | (414) 671-6350



[www.hatcocorp.com](http://www.hatcocorp.com) | [support@hatcocorp.com](mailto:support@hatcocorp.com) | [Find a Hatco Rep](#) | [Image Library](#) | [Document Library](#) | [Patents](#) | [Chat](#)