

"D19" SHEET PAN RACK DOLLY

Heavy Duty Aluminum Construction

FEATURES:

- Welded Aluminum Construction
- 5" Swivel Plate Casters
- Curved Push Handle
- Single Stack w/Side & Rear Supports
- Fits 18"x26" Or 18"x13" Sheet Pans (Not Included)

SPECIFICATIONS:

- Fully Welded Construction
- Heavy Duty Gauge Aluminum Plate With Extruded Aluminum Tubing For Frame

CERTIFICATIONS:



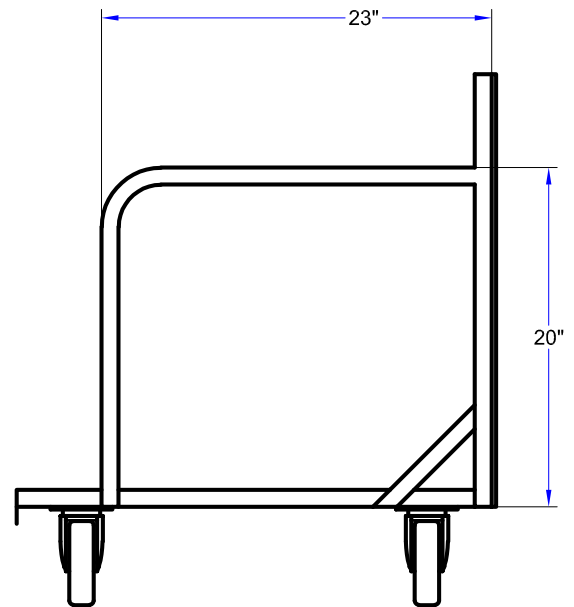
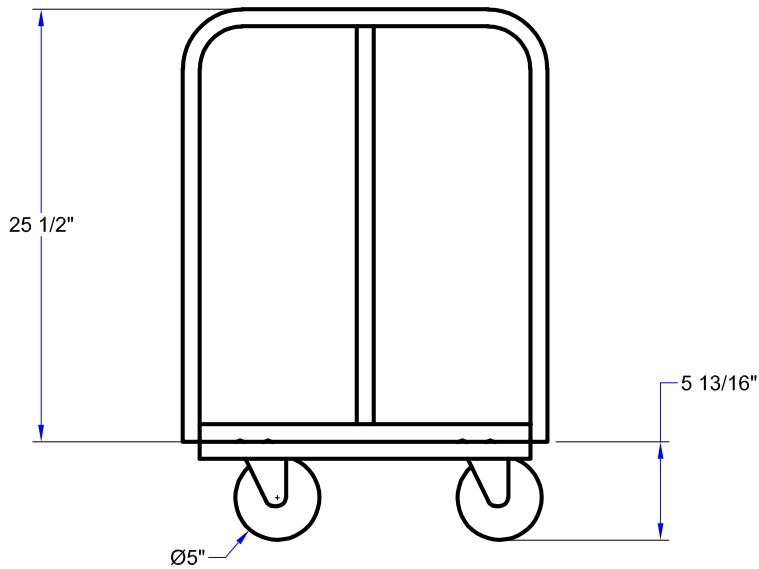
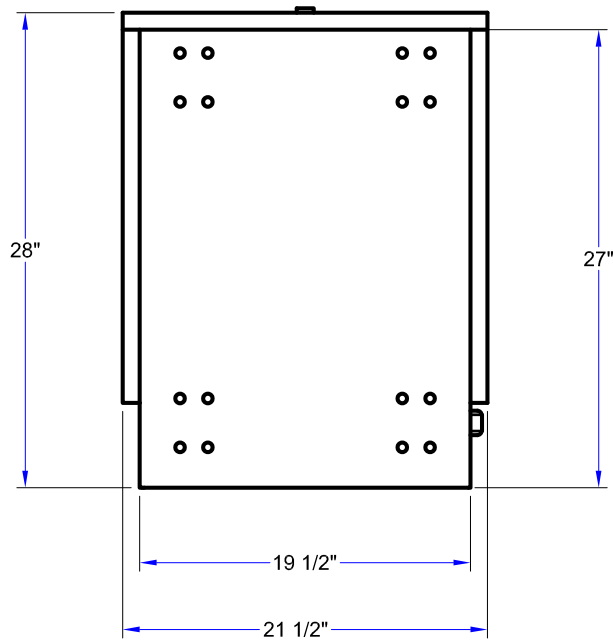
D1927-SP-H

"D19" SHEET PAN RACK DOLLY

MODEL	DESCRIPTION	WEIGHT (LBS)
D1927-SP-H	Fits 18"x26" Or 18"x13" Sheet Pans	15

ALL DIMENSIONS ARE TYPICAL. TOLERANCE +/- .500". JOHN BOOS & CO. RESERVES THE RIGHT TO CHANGE SPECIFICATIONS WITHOUT NOTICE.

DETAILED SPECIFICATIONS



"D19" SHEET PAN RACK DOLLY

MODEL	DESCRIPTION	WEIGHT (LBS)
D1927-SP-H	Fits 18"x26" Or 18"x13" Sheet Pans	15

ALL DIMENSIONS ARE TYPICAL. TOLERANCE +/- .500". JOHN BOOS & CO. RESERVES THE RIGHT TO CHANGE SPECIFICATIONS WITHOUT NOTICE.