

ITEM #: _____ QTY: _____
 MODEL #: _____
 PROJECT NAME: _____

030420

3601 S. Banker St. Effingham, IL 62401 • P.O. BOX 609 • Ph: (888) 431-2667 • Fax: (800) 433-2667

"DST6R10-SSW" DISH SORTING TABLE



16GA STAINLESS STEEL TOP AND STAINLESS STEEL BASE W/SHELF

FEATURES:

- STANDARD 16-GAUGE TYPE 300 STAINLESS STEEL TOP WITH #4 POLISH, SATIN FINISH
- ½" MPT DRAIN STANDARD
- 2-1/4" RAISED EDGE
- OPTIONAL CASTERS
- NSF CERTIFIED
- 10" REAR RISER



DST6R10-3049SSW

CONSTRUCTION:

- TOP: STAINLESS STEEL TOPS ARE TIG WELDED, EXPOSED WELDS ARE POLISHED TO MATCH ADJACENT SURFACE

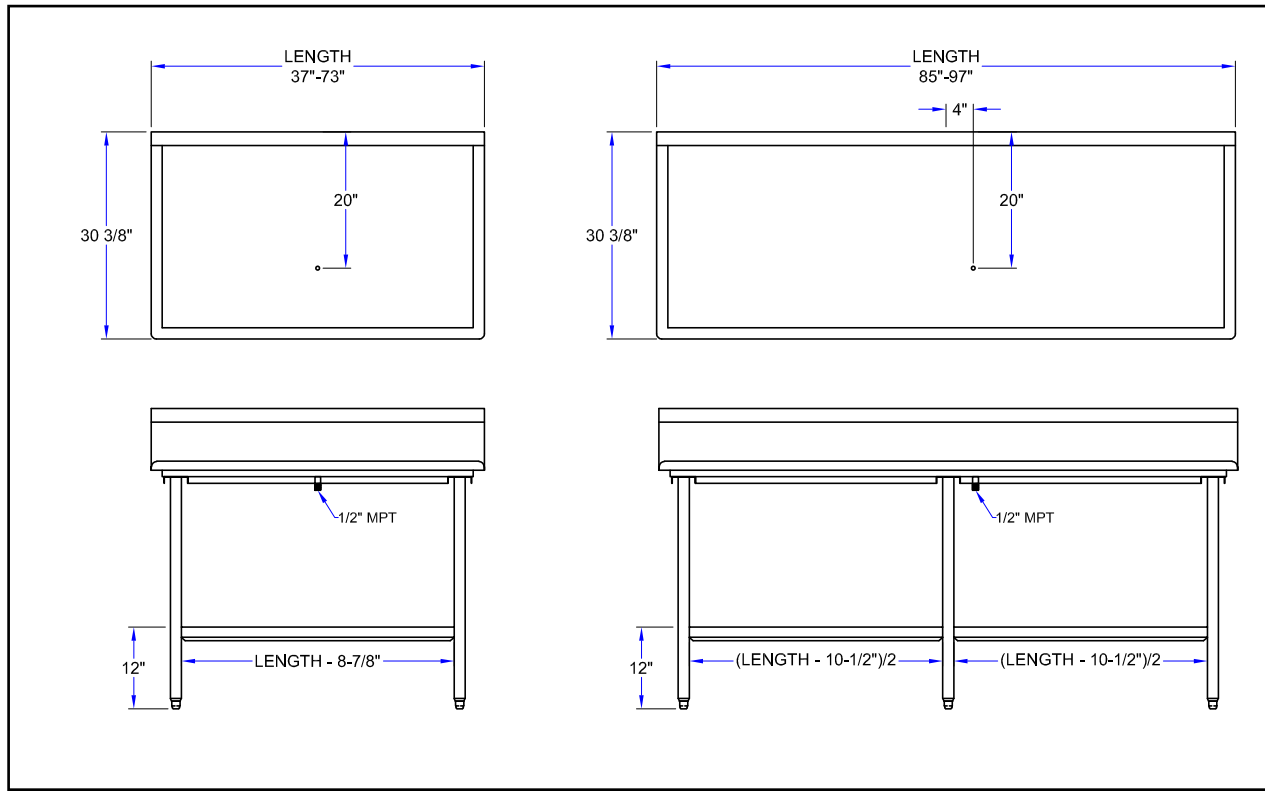
MATERIAL:

- TOP: 16 GAUGE TYPE 300 STAINLESS STEEL WITH #4 POLISH, SATIN FINISH
- LEGS: 1-5/8" ROUND O.D. STAINLESS STEEL
- SHELF: 18 GAUGE STAINLESS STEEL
- GUSSETS: STAINLESS STEEL
- ADJUSTABLE BULLET FEET

"DST6R10-SSW" DISH SORTING TABLE

MODEL	QTY
DST6R10-3037SSW	
DST6R10-3049SSW	
DST6R10-3061SSW	
DST6R10-3073SSW	
DST6R10-3085SSW	
DST6R10-3097SSW	

DETAILED SPECIFICATIONS



"DST6R10-SSW" DISH SORTING TABLE

MODEL	L	WT
DST6R10-3037SSW	36-7/8"	74
DST6R10-3049SSW	48-7/8"	90
DST6R10-3061SSW	60-7/8"	106
DST6R10-3073SSW	72-7/8"	122
DST6R10-3085SSW	85-7/8"	148
DST6R10-3097SSW	97-7/8"	166

SOME UNITS SHIP UNASSEMBLED FOR REDUCED SHIPPING COST. ALL DIMENSIONS ARE TYPICAL. TOLERANCE +/- .500"
 John Boos & Co. is constantly engaged in a program of improving products and therefore reserves the right to change specifications without prior notice.



Boos
lock

AQ AutoQuotes

3601 S. Banker St. • Effingham, IL 62401 • PO BOX 609 • quotes@johnboos.com

www.johnboos.com

010620

193