

Project: _____

Item: _____

Quantity: _____

Aluminum Platform Truck



Smooth Deck

These all welded aluminum trucks are built to last! Available with smooth deck or diamond tread deck, these large deck Platform Trucks are ready to handle all of your material handling needs.

A large 1½" diameter pipe handle is easy on the hands and removes easily. Don't increase your load with a heavy steel truck; choose a heavy duty, lightweight aluminum truck for your material handling needs.

- One-Year Guarantee against material defects and workmanship.
- Lifetime Guarantee against rust and corrosion.



Tread Plate Deck
(shown with caster upgrade)



Tread Plate Deck
(shown with extra handle)



New Age Industrial Corp., Inc. || NewAgeIndustrial.com || Made in the USA 

PO Box 520 • 16788 US Hwy 36 • Norton, Kansas 67654 || **Phone: (800) 255-0104 • (785) 877-5121** || Fax: (877)-877-7687 • (785) 877-2616

This information is for general sales and engineering use only. New Age Industrial reserves the right to modify or make changes at any time, without notice, to materials and specifications.

Project: _____

Item: _____

Quantity: _____

Aluminum Platform Truck

- Constructed of Primary Grade Aluminum.
- Framework is constructed out of 1 ½" x 2" x .070" wall tubing.
- Handle is constructed out of 1½" diameter pipe.
- Deck is constructed out of .125" aluminum sheet or .100" aluminum tread plate.
- Equipped with four 6"x2" platform type casters, two swivel and two rigid.
- One-Year Guarantee against material defects and workmanship.
- Lifetime Guarantee against rust and corrosion.

▶ Aluminum Platform Truck

| Model No. | Size W-H-L | Deck Size | Weight Capacity | Ship Lbs |
|---|-----------------|-----------|-----------------|----------|
| Platform Truck With Smooth Deck | | | | |
| PT2436S6 | 24" x 41" x 39" | 24" x 36" | 2600 lbs. | 54 |
| PT2448S6 | 24" x 41" x 51" | 24" x 48" | 2600 lbs. | 58 |
| PT3048S6 | 30" x 41" x 51" | 30" x 48" | 2600 lbs. | 65 |
| PT3060S6 | 30" x 41" x 63" | 30" x 60" | 2600 lbs. | 75 |
| PT3660S6 | 36" x 41" x 63" | 36" x 60" | 2600 lbs. | 89 |
| PT3672S6 | 36" x 41" x 75" | 36" x 72" | 2600 lbs. | 93 |
| Platform Truck With Tread Plate Deck | | | | |
| PT2436P6 | 24" x 41" x 39" | 24" x 36" | 2600 lbs. | 56 |
| PT2448P6 | 24" x 41" x 51" | 24" x 48" | 2600 lbs. | 60 |
| PT3048P6 | 30" x 41" x 51" | 30" x 48" | 2600 lbs. | 67 |
| PT3060P6 | 30" x 41" x 63" | 30" x 60" | 2600 lbs. | 78 |
| PT3660P6 | 36" x 41" x 63" | 36" x 60" | 2600 lbs. | 89 |
| PT3672P6 | 36" x 41" x 75" | 36" x 72" | 2600 lbs. | 95 |

Four 6"x2" heavy duty polyurethane tread plate casters; two swivel, two rigid. Equipped with (1) handle, optional extra/replacement handles sold below.

Options:

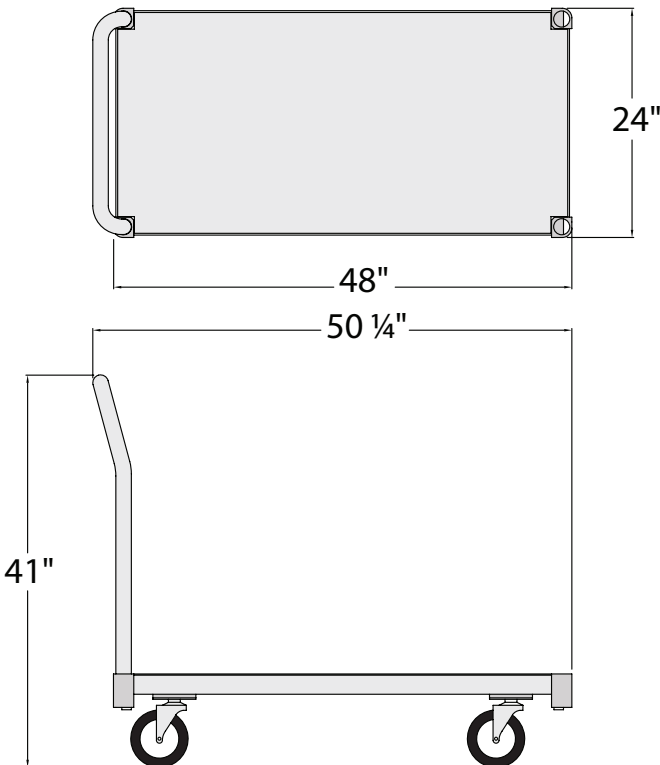
- Caster Locks (2)** - Add "CL" suffix to model #.
- Perimeter Bumper** - Add "PB" suffix to model #.
- Prison Package** - Add "PP" suffix to model #.
- Consists of tamper resistant screws and welded handle.
- Caster Upgrade** - Replace last digit of model # with "8".
- Consists of four 8" x 2" heavy duty polyurethane tread plate casters two swivel, two rigid.
- Caster Locks (2) for upgrade** - Add "CL" suffix to model #.

Extra Handle

| | | |
|-------|--------------------|------|
| 60328 | For 24" Wide Units | 11 |
| 60329 | For 30" Wide Units | 11.5 |
| 60330 | For 36" Wide Units | 13 |

Options:

- Extra Handle Welded in Place** - Add "PP" suffix to model #.



New Age Industrial Corp., Inc. || NewAgeIndustrial.com || Made in the USA

PO Box 520 • 16788 US Hwy 36 • Norton, Kansas 67654 || Phone: (800) 255-0104 • (785) 877-5121 || Fax: (877)-877-7687 • (785) 877-2616

This information is for general sales and engineering use only. New Age Industrial reserves the right to modify or make changes at any time, without notice, to materials and specifications.