

"ST6R5-LSSK" STAINLESS STEEL TOP WORK TABLES

"L" Shaped, 16GA Top w/Stainless Base & Shelf - 5" Riser

FEATURES:

- 16GA Stainless Steel Top w/5" Riser & Turndown
- Type 300 Stainless Steel With #4 Polish, Satin Finish
- Top Is Sound Deadened
- Reinforced With 1"x2" Channel Running Entire Length Of Table
- 1-1/2" Stallion Edge On Front Side Edges 90 Degree Bend Down For Table Line-Up
- Stainless Steel Base With Adjustable Undershelf
- Adjustable Bullet Feet
- Shipped Knocked-Down, Easy-To-Assemble

SPECIFICATIONS:

- Top: Stainless Steel Tops Are TIG Welded, Exposed Welds Are Polished To Match Adjacent Surface
- Top: 16GA Stainless Steel Type 300 Stainless Steel With #4 Polish, Satin Finish
- Shelf: 18GA Stainless Steel, (36" Wide Tables, 16GA Lower Shelf)
- Legs: 1-5/8" Round O.D. 16GA Tubular Stainless Steel
- Gussets: Stainless Steel
- Feet: 1" Adjustable Stainless Bullet Feet



ST6R5-L2460SSK

CERTIFICATIONS:



ACCESSORIES

DESCRIPTION

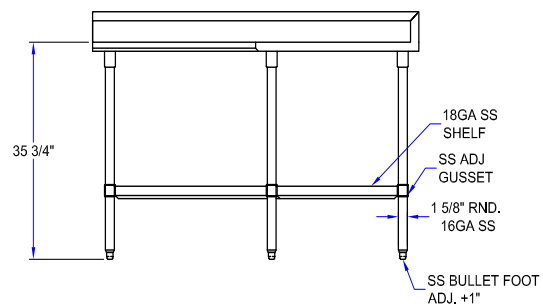
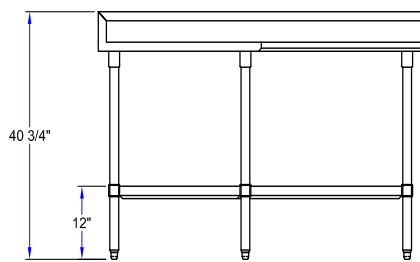
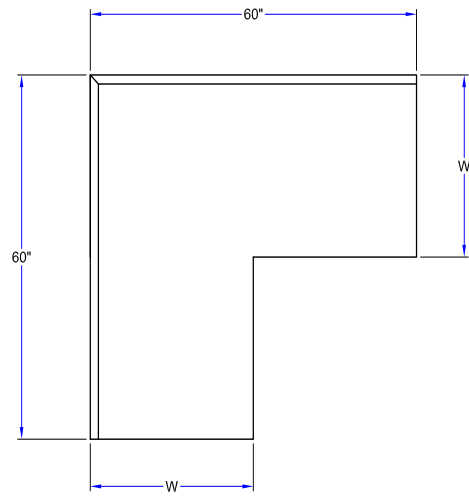
- Drawer
- Drawer Lock
- Casters
- Overshelves
- Sinks
- Pot Rack

"ST6R5-LSSK" STAINLESS STEEL WORK TABLES

MODEL	SIZE (L X W X H)	WIDTH (W)	WEIGHT (LBS)
ST6R5-L2460SSK	60"x24"x40-3/4"	24"	146
ST6R5-L3060SSK	60"x30"x40-3/4"	30"	157

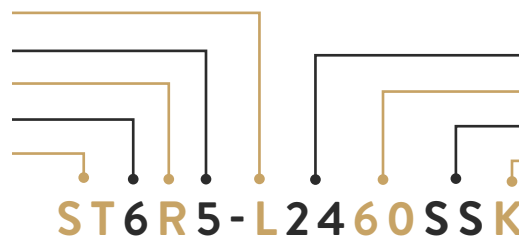
ALL DIMENSIONS ARE TYPICAL. TOLERANCE +/- .500". JOHN BOOS & CO. RESERVES THE RIGHT TO CHANGE SPECIFICATIONS WITHOUT NOTICE.

DETAILED SPECIFICATIONS



MODEL # STRUCTURE

- L = "L" Shaped Table
- 5 = Ht. Of Riser w/Turndown
- R = Top w/Riser
- 6 = 16GA Work Surface
- ST = Stainless Steel Top



- 24 = Width Of Work Surface
- 60 = Length Of Work Surface
- SB = Stainless Steel Base & Shelf
- K = Ships Knocked Down

"ST6R5-LSSK" STAINLESS STEEL WORK TABLES

MODEL	SIZE (L X W X H)	WIDTH (W)	WEIGHT (LBS)
ST6R5-L2460SSK	60"x24"x40-3/4"	24"	146
ST6R5-L3060SSK	60"x30"x40-3/4"	30"	157

ALL DIMENSIONS ARE TYPICAL. TOLERANCE +/- .500". JOHN BOOS & CO. RESERVES THE RIGHT TO CHANGE SPECIFICATIONS WITHOUT NOTICE.