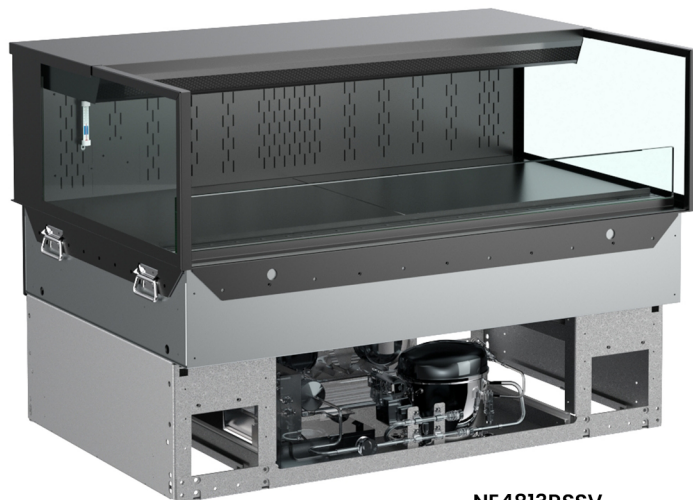


- **NE3613RSSV** 35-3/4"L x 33"D x 13-5/8"H
- **NE4813RSSV** 47-3/4"L x 33"D x 13-5/8"H

Included

- NOTE: Glass warranty only applicable to first point of delivery
- Breeze~E (Type-II) self-contained refrigeration
- Compressor air rear intake, front discharge
- Condensate pan (self-contained refrig. only)
- LED top light
- NOTE: Overall case height is 33" (includes below counter)
- One piece formed ABS plastic tub
- One year parts & labor; 5 year compressor warranty
- Warmest average product temperature of 40°F or less

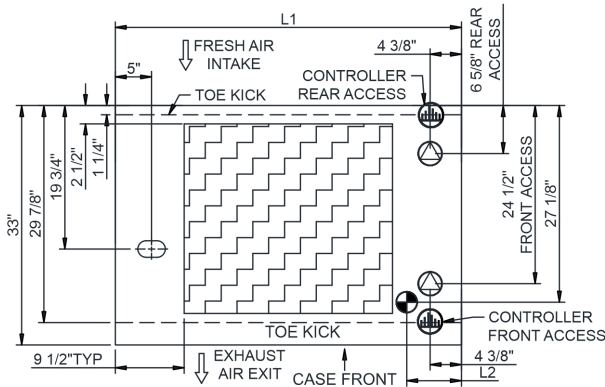


NE4813RSSV

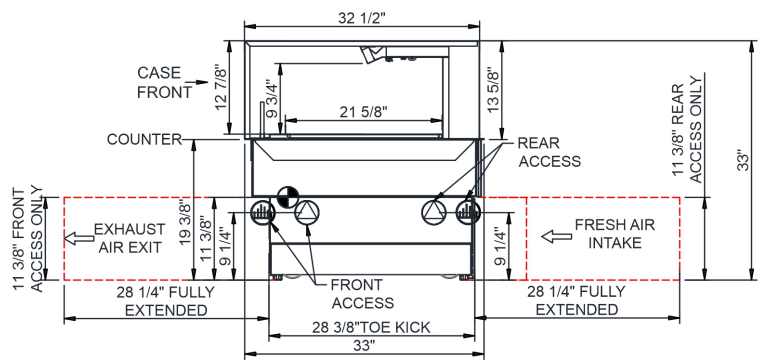
Specify	Standard Features	Additional Options
FRAME EXTERIOR COLOR	• Powder coated Silversan Black	• Powder coated (stock/non-stock colors) • Stainless steel
INTERIOR COLOR	• Powder coated Silversan Black	• NOTE: Interior color must be FDA & NSF approved • Powder coated (stock colors, specify RAL#) • Stainless steel
BASE	• Slide in counter assembly	
LEFT END GLASS	• Glass end	• No end glass w/ synchronized defrost
RIGHT END GLASS	• Glass end	• No end glass w/ synchronized defrost
REAR DOORS	• None (solid back panel)	• Clear glass rear sliding doors • Reflective glass rear sliding doors
LIGHTS	• LED 3500K w/ frosted lens	• LED 3000K w/ frosted lens • LED 4000K w/ frosted lens
ELECTRICAL CONNECTION	• 10' Straight blade power cord (self-cont.)	• 10' Locking power cord (self-cont.) • Electrical leads (remote)
REAR VENTED PANEL	• None	• NOTE: Unit can intake & discharge from rear w/ optional rear vented panel • Powder coated (stock/non-stock colors) • Stainless steel
REFRIGERATION	• Breeze~E (Type-II) self-contained refrigeration (rear access)	• Breeze~E (Type-II) self-contained refrigeration (front access) (see important notes) • Remote w/thermostat, solenoid & TXV (front access) • Remote w/thermostat, solenoid & TXV (rear access)
MISCELLANEOUS		• Rear door lock • Second year parts & labor warranty (excludes compressor)
ACCESSORIES		• Clean Sweep® coil cleaner (self-cont.) • Night curtain, retractable, non-locking • Removable clear acrylic security cover, locking

Intended Environment: Type II - Designed to operate in ambient conditions of 80°F and 55% relative humidity unless noted otherwise in system information below.		
Zone	Intended Product To Be Displayed	Warmest Avg Prod Temp ° F
1	Packaged refrigerated products	40

PLAN VIEW

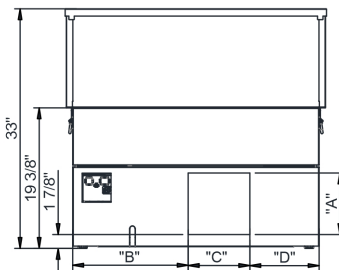


SIDE VIEW



R290 SELF-CONTAINED ACCESS DIMENSIONS PROVIDED.
CONTACT FACTORY FOR ALL OTHER SELF-CONTAINED ACCESS DIMENSIONS

	"A"	"B"	"C"	"D"
NE3613RSSV	8 1/2"	16"	8 1/2"	9 5/8"
NE4813RSSV	8 1/2"	28"	8 1/2"	9 5/8"



NOTES:

- 11 3/8" TALL, FULL WIDTH OF CASE OPENING IN CABINET OR COUNTER IS REQUIRED TO PULL OUT REFRIGERATION SYSTEM.
- BACK OF COUNTER / CABINET MUST BE VENTED PROPERLY FOR ADEQUATE AIRFLOW TO CONDENSER.
- **REPRESENTS REAR PULLOUT REFRIGERATION. AIR FLOW INTAKE AND EXIT DETAILS ARE REVERSED WITH FRONT PULLOUT REFRIGERATION OPTION.
- SELF-CONTAINED ACCESS ONLY BY PULLING OUT CONDENSER UNIT.
- 4" OPEN AREA CLEARANCE REQUIRED FOR AIR FLOW FRONT AND REAR OF CASE.

NOTE: ALL DIMENSIONS APPROXIMATE

- ELECTRICAL JUNCTION BOX (SUPPLIED WITH 6" LEADS OR POWER CORD).
- LOCATION OF DRAIN TUBE FOR REMOTE REF. ONLY (SUPPLIED WITH 3/4" OR 1 1/2" PVC TUBE).

- REFRIGERATION LINE CONNECTION.
- REMOTE FLOOR SINK & UTILITIES ACCESS AREA.

- SELF-CONTAINED CASE SERVICE ACCESS AREA.
- DRY CASE SERVICE ACCESS AREA.

Model Technical Specifications																
Model	L"	L1"	L2"	System Circuit Volts		Phs	Freq	Amps ***	Watts	Wires	NEMA Plug	SST	Conv. Rack BTU/H	Para. Rack BTU/H	Est Wt	
NE3613RSSV	N/A	35.75	7.50	Remote (DX)	Circuit #1	110-120	1	60	1.20	42	2+G	Leads Single	20.00	1210	1120	550
				Self-Contained (R290)	Circuit #1	110-120	1	60	10.85	965	2+G	5-15P or L5-15P	N/A	N/A	N/A	
				Self-Contained (R513A)	Circuit #1	110-120	1	60	9.88	772	2+G	5-15P or L5-15P	N/A	N/A	N/A	
NE4813RSSV	N/A	47.75	7.50	Remote (DX)	Circuit #1	110-120	1	60	1.26	51	2+G	Leads Single	20.00	1577	1460	650
				Self-Contained (R290)	Circuit #1	110-120	1	60	10.90	973	2+G	5-15P or L5-15P	N/A	N/A	N/A	
				Self-Contained (R513A)	Circuit #1	110-120	1	60	9.74	770	2+G	5-15P or L5-15P	N/A	N/A	N/A	

*** Does not include electric defrost on freezer models.

Regulatory Approvals:

All Models
 Accordance with AHRI Std 1200
 ETL Listed to UL 471
 ETL Listed to CAN/CSA 22.2 No. 120
 ETL Sanitation to NSF/ANSI 7



In Accordance with
AHRI Std 1200

DOE 2017
Energy Efficiency
Compliant

Important Notes:

- 1) ELECTRICAL NOTE: If GFCI is required, a GFCI breaker MUST be used in lieu of a GFCI receptacle
- 2) Back side of counter must be open or vented the full length of the unit to allow proper ventilation for the refrigeration system.
- 3) A vent in the front of the counter recommended to help dissipate compressor heat.
- 4) Rear Access Standard - Counter must be configured to allow air to be drawn in the rear and discharged out the front.
- 5) Front Access Option - Counter must be configured to allow air to be drawn in the front and discharged out the rear.
- 6) Unit can intake and discharge from rear with optional rear vented panel.
- 7) 19.25" minimum space required beneath counter surface.
- 8) Glass warranty only applicable to first point of delivery.

⚠ WARNING: This product can expose you to chemicals, including Urethane (Ethyl Carbamate), which are known to the State of California to cause cancer and birth defects or other reproductive harm. For more information go to www.P65Warnings.ca.gov.