

APPLICATION:

PRODUCT NAME:  
SWIVEL HOSE ADAPTER WITH 1/4"  
FEMALE OUTLET

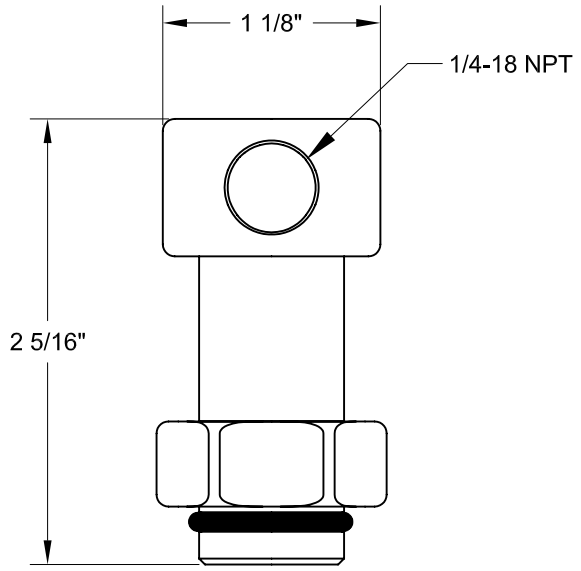
JOB NAME:

MODEL:

QUANTITY:

ITEM NO.

2931 SWIVEL HOSE ADAPTER



SYSTEM LIMITS  
\* TEMP: 40°F MIN. TO 140°F MAX.  
\* PRESSURE 200 PSI MAX. STATIC

SHIPPING WEIGHT  
\* .75 LBS

ANSI/A112.18.1M

**FISHER**  
 FISHER MANUFACTURING COMPANY  
 TOLL FREE: 800-421-6162 - FAX: 800-832-8238  
 information@fisher-mfg.com - www.fisher-mfg.com